



Home Contact Us Products Quote Catalog/Lit Samples About Us Tech Notes Cross Ref Reps/Dist Videos Media Warranty

items : 0 | subtotal : \$ 0.00 [View Cart ::](#) | [Checkout ::](#)

Panel Mount LEDs, 16mm PilotLED® Relampable

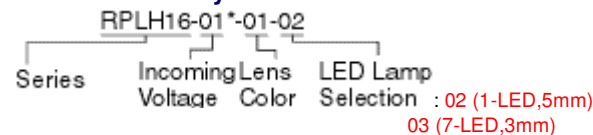
RPLH Series, 16mm, 22mm, 30mm Relampable Pilot Lights

[Page 1 — Introduction](#), [Page 2 — 16mm](#), [Page 3 - 22mm](#), [Page 4 - 30mm](#)

Environmental

Operating temperature: -25°C to +50°C
 Storage temperature: -40°C to +70°C
 Relative humidity: Rated for operation in non-condensing relative humidities between 5% and 95%

PilotLED Assembly Part Number



Selection Guide: Part numbers are for complete assembly of lens, lamp and lampholder

UL File # E110075

[Click to buy from our DISTRIBUTORS](#)

Mark To Order	Assembly Part Number	Retail Pricing‡	Min Order	Color	Input Voltage*	Lens	LED Lamp 1-LED
<input type="checkbox"/>	RPLH16-01-01-02	Order \$23.94ea	5	RED	48VDC**	RPLL16-CRF	RPLB-0201-28V
<input type="checkbox"/>	RPLH16-01-02-02	Order \$23.94ea	5	AMBER	48VDC**	RPLL16-CAF	RPLB-0203-28V
<input type="checkbox"/>	RPLH16-01-03-02	Order \$23.94ea	5	YELLOW	48VDC**	RPLL16-CYF	RPLB-0204-28V
<input type="checkbox"/>	RPLH16-01-04-02	Order \$23.94ea	5	GREEN	48VDC**	RPLL16-CGF	RPLB-0206-28V
<input type="checkbox"/>	RPLH16-01-05-02	Order \$23.94ea	5	BLUE	48VDC**	RPLL16-CBF	RPLB-0208-28V
<input type="checkbox"/>	RPLH16-01-06-02	Order \$23.94ea	5	WHITE†	48VDC**	RPLL16-TWF	RPLB-0209-28V
<input type="checkbox"/>	RPLH16-02-01-02	Order \$23.94ea	5	RED	130VDC**	RPLL16-CRF	RPLB-0201-28V
<input type="checkbox"/>	RPLH16-02-02-02	Order \$23.94ea	5	AMBER	130VDC**	RPLL16-CAF	RPLB-0203-28V
<input type="checkbox"/>	RPLH16-02-03-02	Order \$23.94ea	5	YELLOW	130VDC**	RPLL16-CYF	RPLB-0204-28V
<input type="checkbox"/>	RPLH16-02-04-02	Order \$23.94ea	5	GREEN	130VDC**	RPLL16-CGF	RPLB-0206-28V
<input type="checkbox"/>	RPLH16-02-05-02	Order \$23.94ea	5	BLUE	130VDC**	RPLL16-CBF	RPLB-0208-28V
<input type="checkbox"/>	RPLH16-02-06-02	Order \$23.94ea	5	WHITE†	130VDC**	RPLL16-TWF	RPLB-0209-28V
<input type="checkbox"/>	RPLH16-02-07-02	Order \$23.94ea	5	CLEAR††	130VDC**	RPLL16-CWF	RPLB-0209-28V

† White light through diffused white lens †† White light through waterclear lens

16mm PilotLED



Series RPLH16
UL File No. E110075

‡ Volume Discounts Available

Replacement Lenses

Mark To Order	Part Number	Retail Pricing‡	Min Order	Color	
<input type="checkbox"/>	RPLL16-CRF	Order \$2.86ea	10	RED	
<input type="checkbox"/>	RPLL16-CAF	Order \$2.86ea	10	AMBER	
<input type="checkbox"/>	RPLL16-CYF	Order \$2.86ea	10	YELLOW	
<input type="checkbox"/>	RPLL16-CGF	Order \$2.86ea	10	GREEN	
<input type="checkbox"/>	RPLL16-CBF	Order \$2.86ea	10	BLUE	
<input type="checkbox"/>	RPLL16-TWF	Order \$2.86ea	10	WHITE	
<input type="checkbox"/>	RPLL16-CWF	Order \$2.86ea	10	CLEAR	



1-LED Replacement Lamps

Mark To Order	Part Number	Retail Pricing‡	Min Order	Color	
<input type="checkbox"/>	RPLB-0201-28V	Order \$6.84ea	10	RED	
<input type="checkbox"/>	RPLB-0203-28V	Order \$6.84ea	10	AMBER	
<input type="checkbox"/>	RPLB-0204-28V	Order \$6.84ea	10	YELLOW	
<input type="checkbox"/>	RPLB-0206-28V	Order \$9.12ea	10	GREEN	
<input type="checkbox"/>	RPLB-0208-28V	Order \$9.12ea	10	BLUE	
<input type="checkbox"/>	RPLB-0209-28V	Order \$9.12ea	10	WHITE	



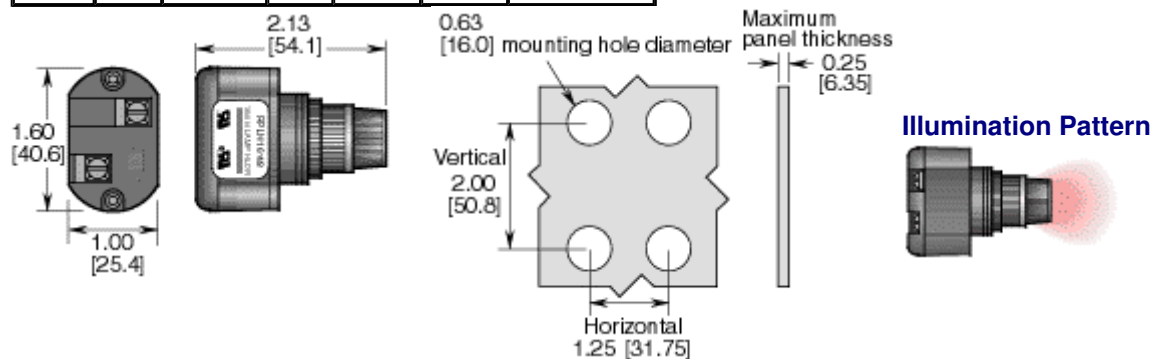
Holder Assembly without Lamp or Lens

Mark To Order	Part Number	Retail Price‡	Min Order	Input Voltage	
<input type="checkbox"/>	RPLH16-00	Order \$14.26ea	10	Direct	
<input type="checkbox"/>	RPLH16-01	Order \$14.26ea	10	48VDC	
<input type="checkbox"/>	RPLH16-02	Order \$14.26ea	10	130VDC	
<input type="checkbox"/>	RPLH16-03	Order \$15.00ea	5	270VDC	



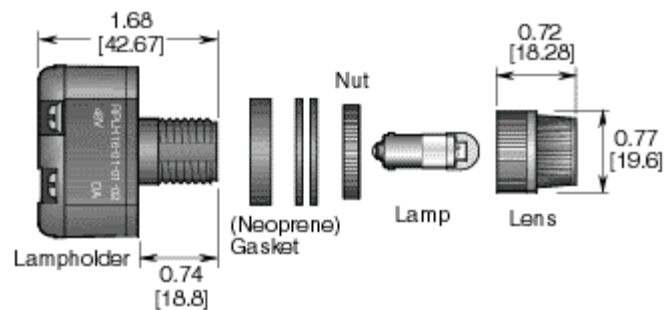
7-LED Replacement Lamps

Mark To Order	Part Number	Retail Pricing‡	Min Order	Color	
<input type="checkbox"/>	RPLB-0301-28V	Order \$17.50ea	5	RED	
<input type="checkbox"/>	RPLB-0303-28V	Order \$17.50ea	5	AMBER	
<input type="checkbox"/>	RPLB-0304-28V	Order \$17.50ea	5	YELLOW	
<input type="checkbox"/>	RPLB-0306-28V	Order \$28.00ea	5	GREEN	
<input type="checkbox"/>	RPLB-0309-28V	Order \$28.00ea	5	WHITE	



Notes

* Volts = Full voltage. Customer defines incoming voltage, lamp in holder is made to that voltage. This holder contains no current limiting resistor. (Example RPLH16-24-01-02 [24 Volt incoming source])



** = 48 & 130VDC use an internal series resistor to drop the voltage across the LED bulb to 28 Volts.

Dimensions are approximate

23105 Kashiwa Ct, Torrance, CA 90505 - PH: (800) 579-4875/(310) 534-1505 - FAX: (310) 534-1424
 All images and pictures and text on our website is Copyrighted property of LEDtronics.
 No-one is authorized to use our pictures, images, catalogs or text without our explicit written approval.
 © Copyright 1997-2008 LEDtronics, Inc. All Rights Reserved - [Contact Us](#)