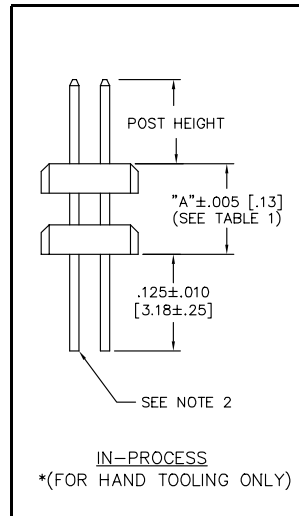
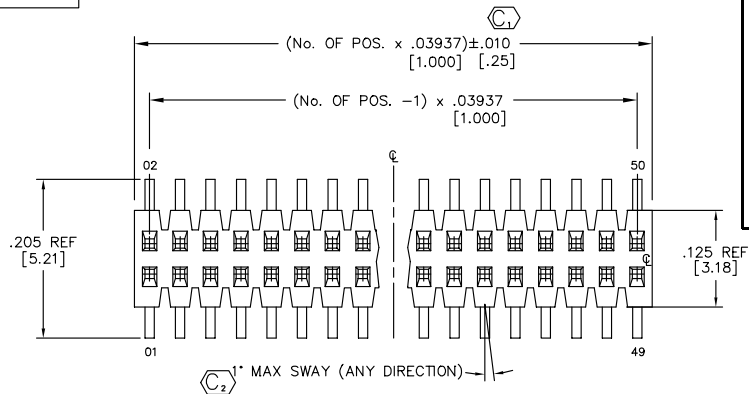


"A" RANGE	BODY STYLE		FIG.
	UPPER	LOWER	
.095 - .129 [2.41 - 3.28]	FTM-50-D	FTM-50-D	2
.130 - .245 [3.30 - 6.22]	FTMH-75-D	MW-75-D	1

SEE NOTES 5 & 6

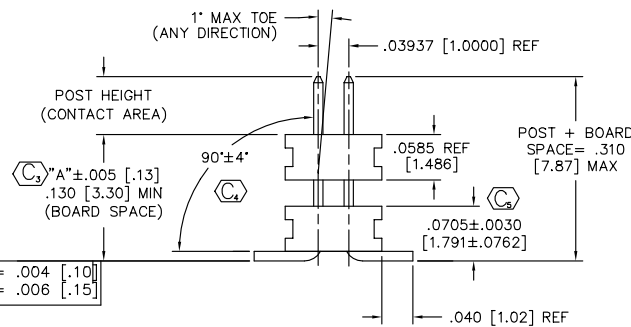
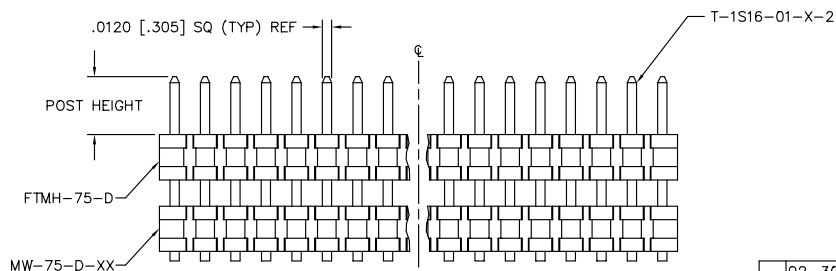
DO NOT SCALE FROM THIS PRINT



MW-XX-03-X-D-XXX-XXX-XX

- NO. OF POSITIONS -02 THRU -50 (PER ROW)
- LEAD STYLE USE T-1S16-01-X-2 (SEE NOTE 7)
- PLATING -F: FLASH SELECTIVE (USE T-1S16-01-F-2) -L: LIGHT SELECTIVE (USE T-1S16-01-L-2) -G: GOLD (USE T-1S16-01-G-2) -H: HEAVY GOLD (USE T-1S16-01-H-2)
- ROW OPTION -D: DOUBLE (SEE TABLE 1 FOR BODY)
- BOARD SPACE OPTION "A": .245 [6.22] MAX w/ .065 [1.65] POST, .095 [2.41] MIN.
- POST HEIGHT .065 [1.65] MIN (POST + BOARD SPACE = .310 [7.87] MAX)
- OPTION -P: PICK & PLACE PAD (SEE SHT 2, FIG 3, USE PPP-30) (7 POS PER ROW MIN) -ES: END SHROUDS (9 POS PER ROW MIN) (SEE SHT 2, FIG 4) (MAX POST: .075 [1.91]) (SEE NOTE 8) -EP: GUIDE POST (9 POS PER ROW MIN) (SEE SHT 2, FIG 5) (MAX POST: .075 [1.91]) (SEE NOTE 8) -A: ALIGNMENT PINS (MOLDED OR STAKED, SAMTEC'S DISCRETION ON WHICH) (SEE FIGS 6 & 7, SHT 3) (STAKED: 7 POS MIN, 60 POS MAX) (MOLDED: 5 POS MIN, 75 POS MAX) (SEE NOTE 8) -TR: TAPE & REEL (ALL POSITIONS) (MAX HEIGHT: .6875)

- NOTES:
- PARTS MAY BE CUT TO POSITION: .010 MAX CUT FLASH.
 - SHEAR TAILS TO DIMENSION SHOWN; .003 MAX BURR. (FOR HAND TOOLING ONLY)
 - Ⓢ REPRESENTS A CRITICAL DIMENSION
 - PACKAGE POSITIONS 05 THROUGH 50 IN TUBES; LAYER PACKAGE POSITIONS 02 THROUGH 04.
 - HAND ASSEMBLED PARTS TO BE 2 BLACK BODIES AND MACHINED ASSEMBLED TO BE TOP: BLACK BOTTOM: NATURAL
 - FOR HAND FILL, USE FTMH-75-D FOR LOWER BODY.
 - FOR MACHINE FILLED, USE T-1S16-03-X-2.
 - AVAILABLE ONLY WITH BOARD SPACE .130 TO .245.



02-30 POS. = .004 [.10]
31-50 POS. = .006 [.15]

FIG. 1

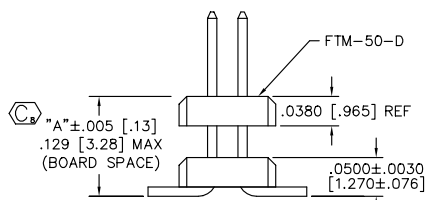


FIG. 2 (DIFFERENT AS SHOWN, OTHERWISE SAME AS FIGURE 1)

PROPRIETARY NOTE
THIS DOCUMENT CONTAINS INFORMATION CONFIDENTIAL AND PROPRIETARY TO SAMTEC INC AND SHALL NOT BE REPRODUCED OR TRANSMITTED IN ANY FORM OR BY ANY MEANS, ELECTRONIC OR MECHANICAL, INCLUDING PHOTOCOPYING, RECORDING, OR BY ANY INFORMATION STORAGE AND RETRIEVAL SYSTEM, WITHOUT THE WRITTEN CONSENT OF SAMTEC INC.

MATERIAL: FTM-50-D & FTMH-75-D LIQUID CRYSTAL POLYMER COLOR: BLACK MW-75-D-XX LIQUID CRYSTAL POLYMER COLOR: NATURAL TERMINAL: PHOS BRONZE MAX FLASH ALLOWED: .002 [.05] MAX GATE VESTIGE ALLOWED: .002 [.05]

samtec

520 PARK EAST BLVD. NEW ALBANY, INDIANA 47150
PHONE (812) 944-6733 P.O. BOX 1147
CODE 55322

MADE BY: BRATCHER 4-3-95

MW-XX-03-X-D-XXX-XXX-XX
SHEET 1 OF 3