

## SPECIFICATIONS

## SCA-2 Connector

### Mechanical

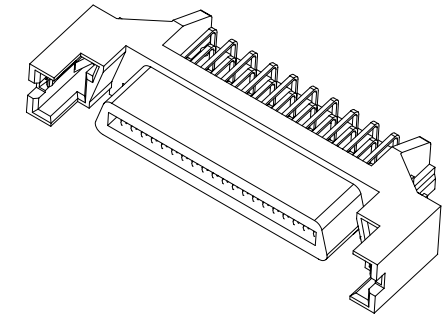
**Insertion Force:** 110g max. Per Contact Pair  
**Withdrawal Force:** 15g min. Per Contact Pair  
**Durability:** 500 Cycles

### Electrical

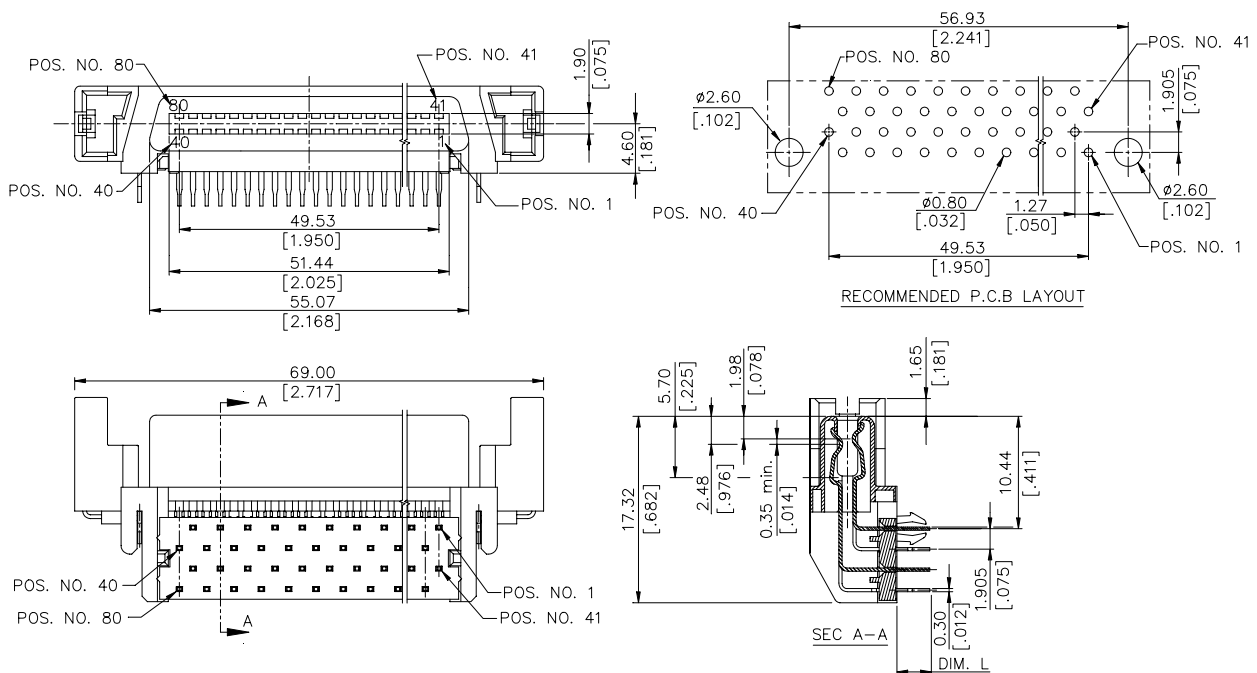
**Voltage Rating:** 30V  
**Current Rating:** 1.0A  
**Contact Resistance:** 30mΩ max.  
**Dielectric Withstanding Voltage:** 500V AC  
**Insulation Resistance:** 1000MΩ

### Physical

**Housing:** Thermoplastic, UL 94V-0 rated in Black Color  
**Contact:** Phosphor Bronze  
**Plating:** See "ORDERING INFORMATION"  
**Board Lock:** Phosphor Bronze  
**Operating Temperature:** -40°C to +105°C



## DRAWING



## ORDERING INFORMATION

PRODUCT NO.: LS 2 4 40 3 - J 3 M E

SCA-2

Receptacle

Mounting End Type  
4=R/A, T/H

No. of Pos.  
40=80 Pos.

Contact Area Plating  
3=30u" Gold

E=With Pre-load  
Modification Code

Tail Length  
3: DIM. L=3.18mm

J=Contact Gap, Center To Board is 4.6mm