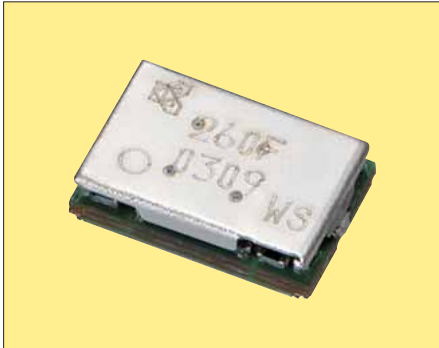


5.0x3.2mm



Pb Free

RoHS Conforming

**Features**

- Miniature SMD Type (5.0x3.2x1.5mm)
- Reflow compatible
- AFC function available
- 2.7V/2.8V/3.0V drive available
- Frequency Stability : ±2ppm at -30°C to +80°C
- Phase Noise -140dBc/Hz @ 1kHz offset(max)

**Applications**

- GSM, CDMA

**How to Order**

KT20A - D C V 30 □ - 19.680M - T  
① ② ③ ④ ⑤ ⑥ ⑦ ⑧

① Series

<b>K</b>	±5ppm
<b>E</b>	±2.5ppm
<b>D</b>	±2.0ppm

② Frequency stability

<b>C</b>	-30°C
<b>E</b>	-20°C
<b>G</b>	-10°C

③ Lower operating temp

<b>V</b>	80°C
<b>T</b>	70°C
<b>R</b>	60°C

④ Upper operating temp

⑤ Supply Voltage

<b>28</b>	2.8V	<b>30</b>	3.0V
-----------	------	-----------	------

⑥ Option Code

⑦ Frequency(MHz)		
19.200	19.680	26.000
19.440	19.800	

⑧ Packaging

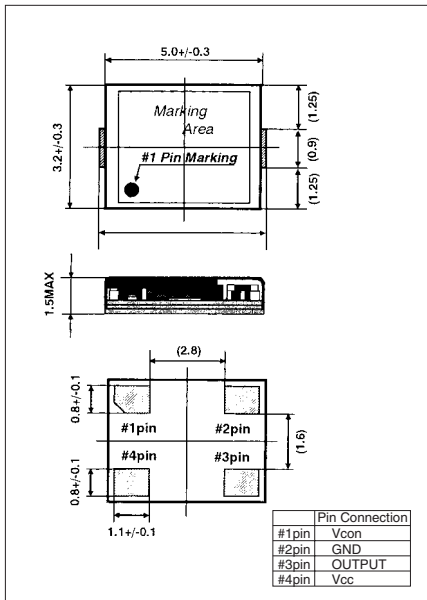
<b>T</b>	Tape & Reel
	4,000pcs/Reel

**Specifications**

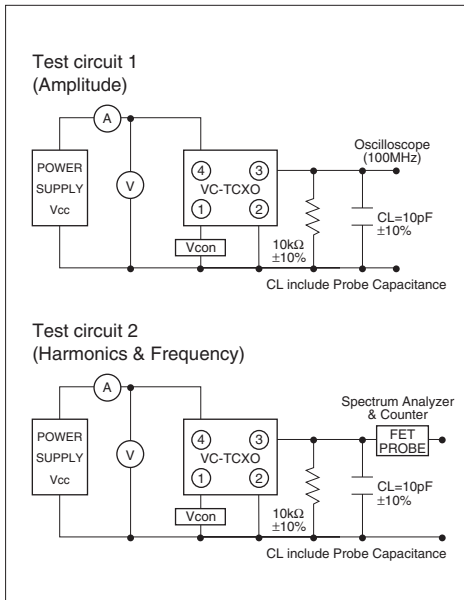
Item	Symbol	Conditions	Min.	Max.	Units
Output Frequency Range	F <sub>OUT</sub>		19.2	26	MHz
Frequency Stability	Δf/fo	vs Temperature	-2.0	+2.0	ppm
		vs Load	-0.2	+0.2	
		vs Voltage	-0.3	+0.3	
Storage Temp. Range	T <sub>STG</sub>		-30	+80	°C
Operating Temp. Range	T <sub>OPR</sub>		-40	+85	°C
Aging	Δfaging	Per Year	-1	1	ppm
Voltage control range	Δf/V	Positive	+/-8	+/-15	ppm
Supply Voltage	V <sub>DD</sub>		2.8	3	Volt
Output Voltage	V <sub>out</sub>	10k ohm // 10pF	0.8	-	Vp-p
Current Consumption	I <sub>DD</sub>		-	1.5	mA
Duty Ratio	SYM	@ 50% V <sub>DD</sub>	40	60	%
Harmonics	-		-	-5	dBc

**Dimensions**

(Unit : mm)



**Test Circuit**



**Recommended Land Pattern**

(Unit : mm)

