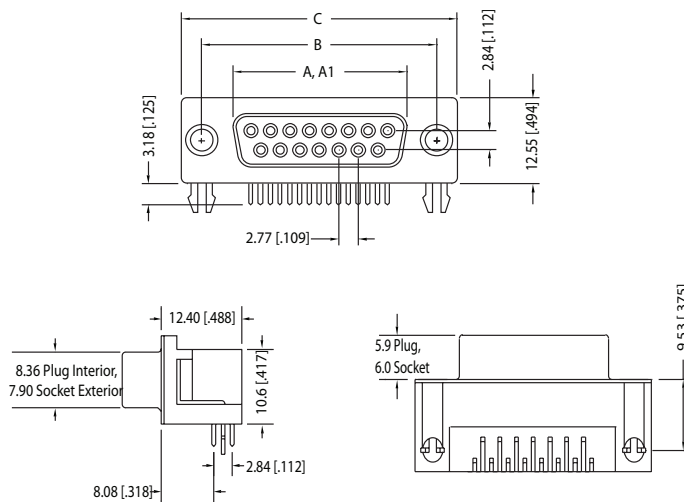




K22X Series
Right Angle PCB Mount .318" Footprint

Dimensions

Pictured with Board Lock Option, Dimensions in mm [In]



| Shell Size | A | | | | A1 | | | | B | | | | C | | | |
|------------|-------|-------|-------|-------|-------|-------|-------|-------|-------|-------|-------|-------|-------|-------|-------|-------|
| | In | mm | ±.010 | ±.025 | ±.010 | ±.025 | ±.005 | ±.013 | ±.015 | ±.038 | ±.010 | ±.025 | ±.005 | ±.013 | ±.015 | ±.038 |
| 9 (E) | .643 | 16.33 | .666 | 16.92 | .984 | 24.99 | 1.213 | 30.81 | | | | | | | | |
| 15 (A) | .971 | 24.66 | .994 | 25.25 | 1.312 | 33.32 | 1.541 | 39.14 | | | | | | | | |
| 25 (B) | 1.511 | 38.38 | 1.534 | 38.96 | 1.852 | 47.04 | 2.088 | 53.04 | | | | | | | | |
| 37 (C) | 2.159 | 54.84 | 2.182 | 55.42 | 2.500 | 63.50 | 2.729 | 69.32 | | | | | | | | |

A = Exterior of Female Shell (S)
A1 = Interior of Male Shell (P)

D-SUBMINIATURE CONNECTORS

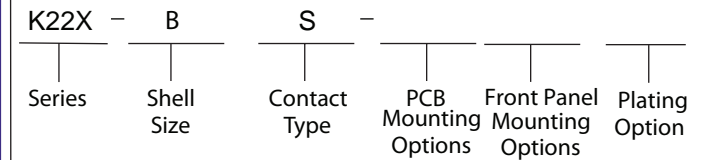
K22X Series

Documentation & Ordering Information

| | | |
|--|--|--|
| | | |
| | | |

Kycon Part #

Part Number Builder



Series

K22X - D-Subminiature Connector, Right Angle,

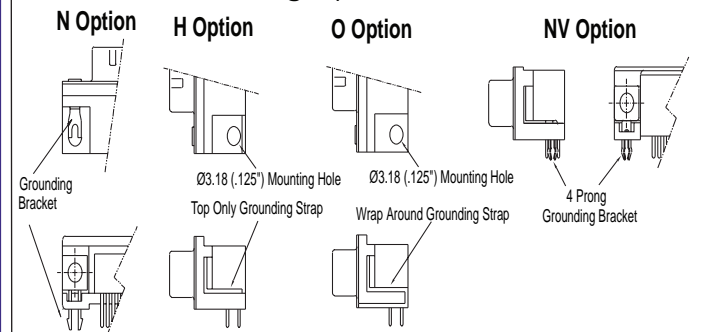
Shell Size-Contact Option

- E - 9 Contacts
- A - 15 Contacts
- B - 25 Contacts
- C - 37 Contacts

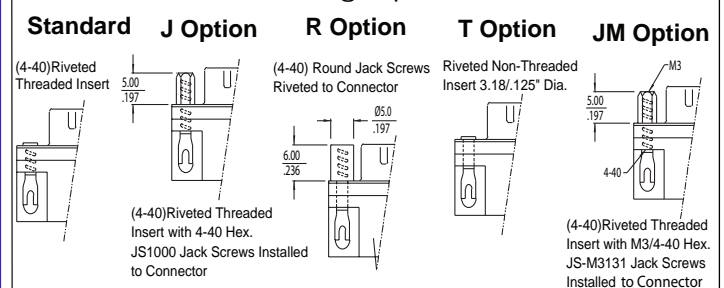
Contact Type

- P - Pin Contact (Plug)
- S - Socket Contact (Receptacle)

PC Board Mounting Option



Front Panel Mounting Option



Plating Option
Blank - Gold Flash
15 - 15µ" Gold
30 - 30µ" Gold

Contact Kycon for other Options