

SPECIFICATIONS

Mechanical: *Mating Force: 4Kg(8.8Lb) MAX.*
Unmating Force: 0.3~4Kg(0.66~8.8Lb).
Durability: 5000 Cycles

Electrical

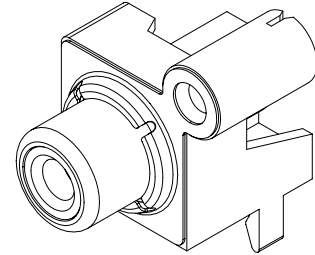
Current Rating: 0.3A .
Contact Resistance: 30mΩ max(initial), 60 mΩ max(after life test).
Dielectric Withstanding Voltage: 500V AC MIN.
Insulation Resistance: 100MΩ MIN.

Physical

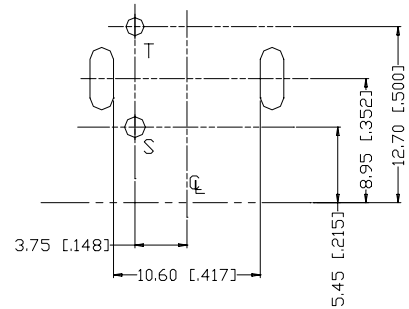
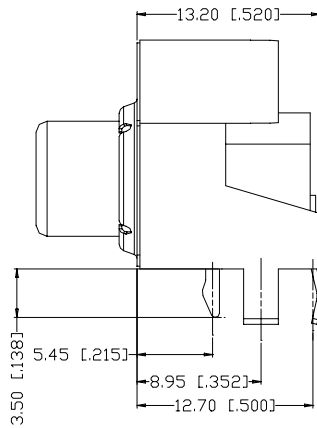
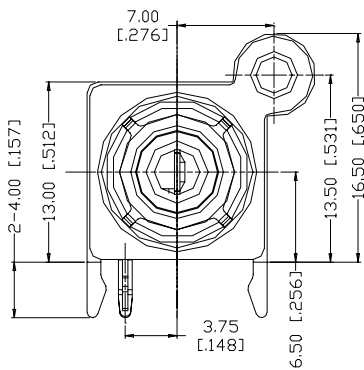
Housing: Thermoplastic, UL 94V-0 rated
Contact and Shell: Copper alloy
Plating: See "ORDERING INFORMATION"
Operating Temperature: -40 to +85

RCA JACK Connector

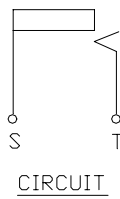
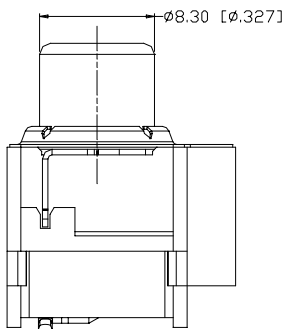
RCA JACK Series
Right Angle, T/H Type
1 Pos.



DRAWING



RECOMMENDED P.C.B LAYOUT



ORDERING INFORMATION

PRODUCT NO: JR 1 1 0 3 0 - W 1 1 1 - 4 F

