



GTAP

Gel Tap Splice (1000V)

Energy Division

Tyco Electronics' GTAP gel tap splice kit provides a fast and simple method for connecting, insulating, and environmentally sealing low-voltage splices. The GTAP splice kit is designed for underground as well as overhead environments. It is especially useful for street lighting applications.

Innovative

The GTAP splice kit utilizes Tyco Electronics' innovative PowerGel sealing gel to protect the connection from moisture ingress, corrosion, and pollution. PowerGel sealing gel also provides additional insulation.

Installs quickly

The hinged closure allows for one-step installation. The GTAP splice cover can be installed over the connector in seconds by simply snapping the cover shut.

Reduces inventory

The GTAP splice kit's range-taking mechanical connectors splice a wide range of cables, including copper and aluminum. The connector's four port design allows maximum inventory flexibility.

Saves time and money

No taping or tools required.

Provides watertight seal

Designed to maintain full insulating value in direct-buried applications.

Re-enterable

Silicone gel easily peels away leaving a clean connection.

Provides rugged protection

UV resistant, qualified for temperatures from -40°C to 90°C. Impact and abrasion resistant.

Tyco Electronics' PowerGel sealing gel

PowerGel sealing gel is a combination of crosslinked silicone rubber and silicone oil.

Tyco Electronics' pre-cured polymer gels are blended together and crosslinked to give high elasticity, high cohesiveness, and temperature stability. PowerGel sealing gel has been in use in other applications for over 10 years. Tyco Electronics' gels are ideal for sealing electrical connections from moisture, dirt, and other contaminants. There is no need to apply heat or use sealants that would make reentry difficult or impossible. When compressed, gels will coat and adhere to surfaces; they can be easily removed by pulling or peeling them off.



Our commitment. Your advantage.

Product Selection

Kit Description	Conductor Size (all outlets) AWG (mm ²)	Standard Package
GTAP-1	#14-#2 (2-35)	18 or 72
GTAP-2	#14-#2/0 (2-70)	18 or 72

Selections are based on typical dimensions for low voltage, insulated cable.

Installed Dimensions

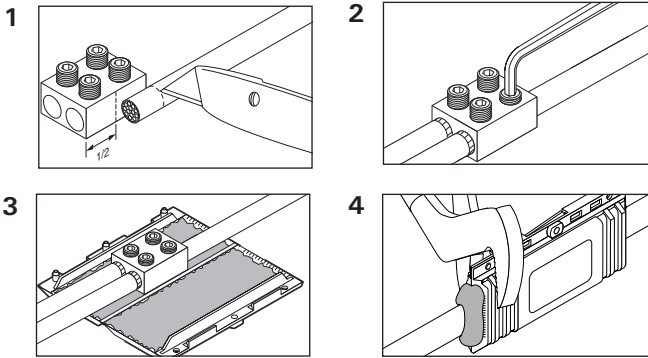
Kit Description	Length inches (mm)	Width inches (mm)	Height inches (mm)
GTAP-1	2-3/4 (70)	1-5/8 (41)	1-1/16 (27)
GTAP-2	4-1/4 (108)	2 (51)	1-3/16 (30)

For information on other connectors or applications, please contact your local Tyco Electronics' representative.



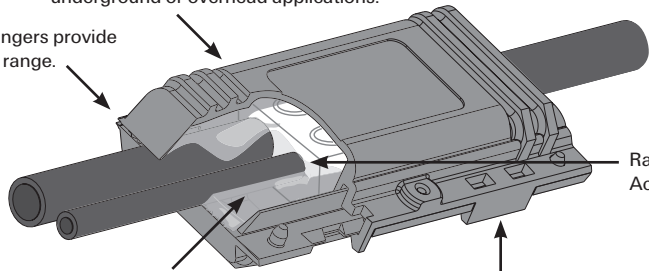
Use on all street light connections.

- Fast installation
- No corrosion



Molded cover of UV stable, impact resistant polypropylene provides rugged protection for underground or overhead applications.

Frangible fingers provide wide cable range.



Range-taking mechanical connector made of aluminum. Accepts both copper and aluminum conductors.

Silicone gel is high dielectric insulation and provides constant pressure on cable and connector to provide waterseal. PowerGel sealing gel is specially formulated for high temperature environments.

Snap-lock ensures that cover remains closed.

Tyco Electronics Corporation
8000 Purfoy Road
Fuquay Varina, NC 27526-9349
Tel: 800.327.6996
Fax: 800.527.8350
E-mail: naenergy@tycoelectronics.com
<http://energy.tycoelectronics.com/powergel>
www.tycoelectronics.com

All of the above information, including drawings, illustrations and graphic designs, reflects our present understanding and is to the best of our knowledge and belief correct and reliable. Users, however, should independently evaluate the suitability of each product for the desired application. Under no circumstances does this constitute an assurance of any particular quality or performance. Such an assurance is only provided in the context of our product specifications or explicit contractual arrangements. Our liability for these products is set forth in our standard terms and conditions of sale. GTAP, TE logo, Tyco Electronics, and PowerGel are trademarks.

Energy Division – a pioneer in the development of economical solutions for the electrical power industry. Our product range includes: Cable accessories, connectors & fittings, electrical equipment, instruments, lighting controls, insulators & insulation enhancement and surge arresters.