

MTG-GL-169

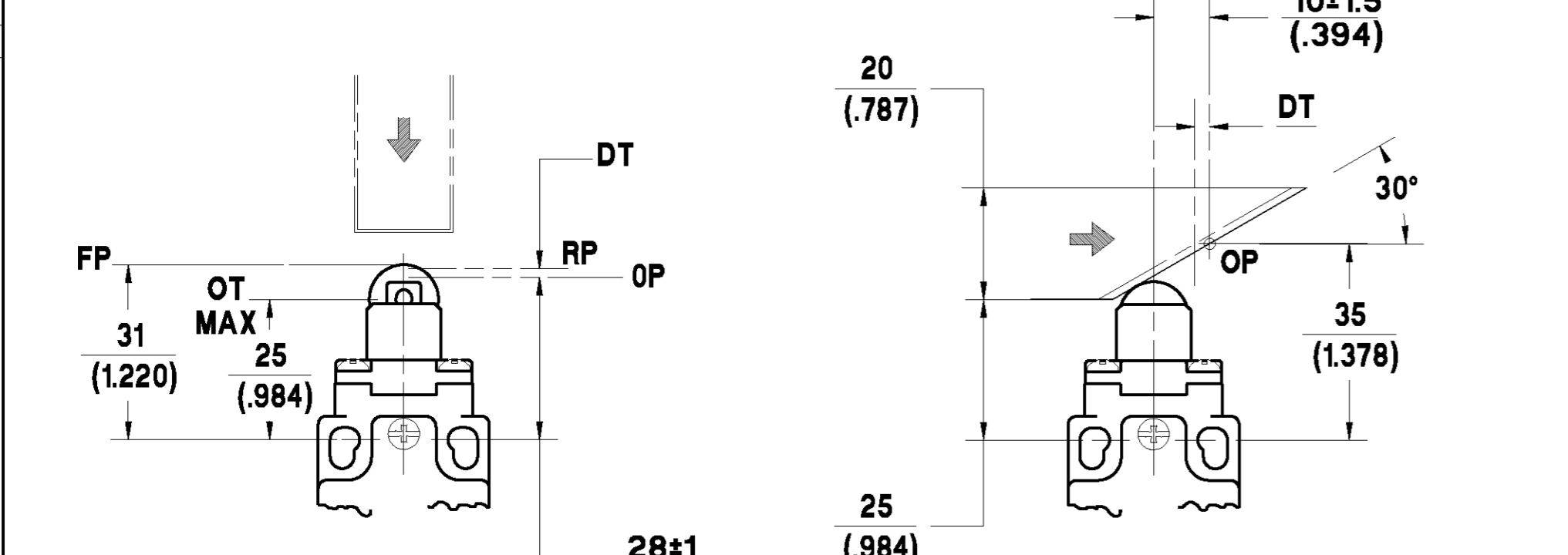
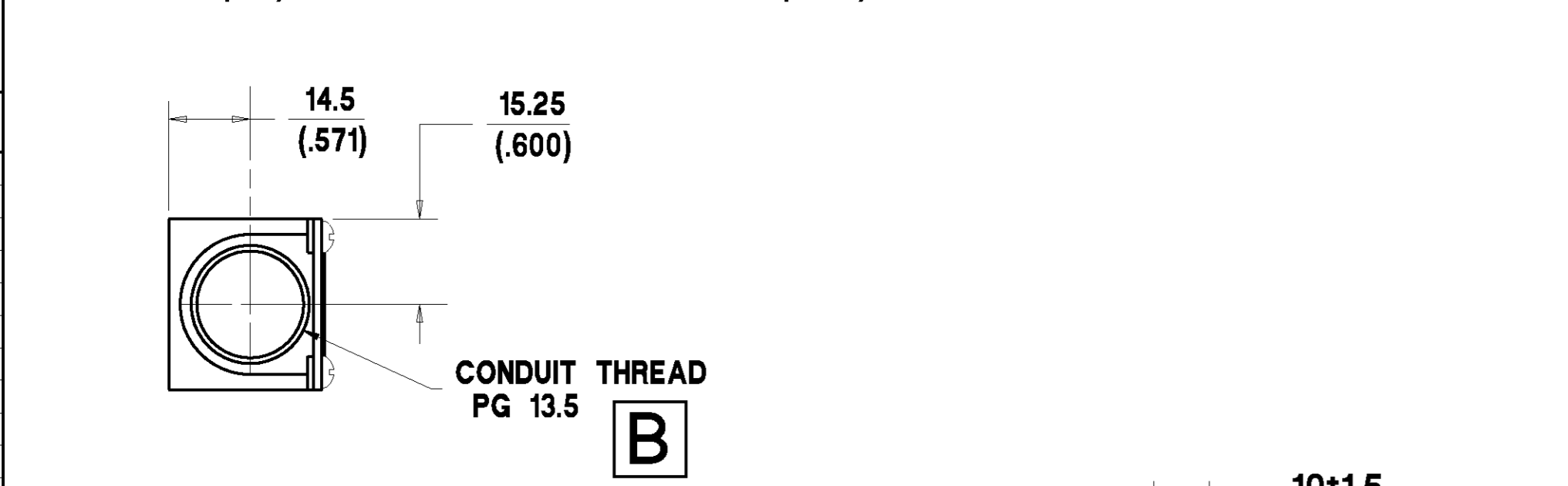
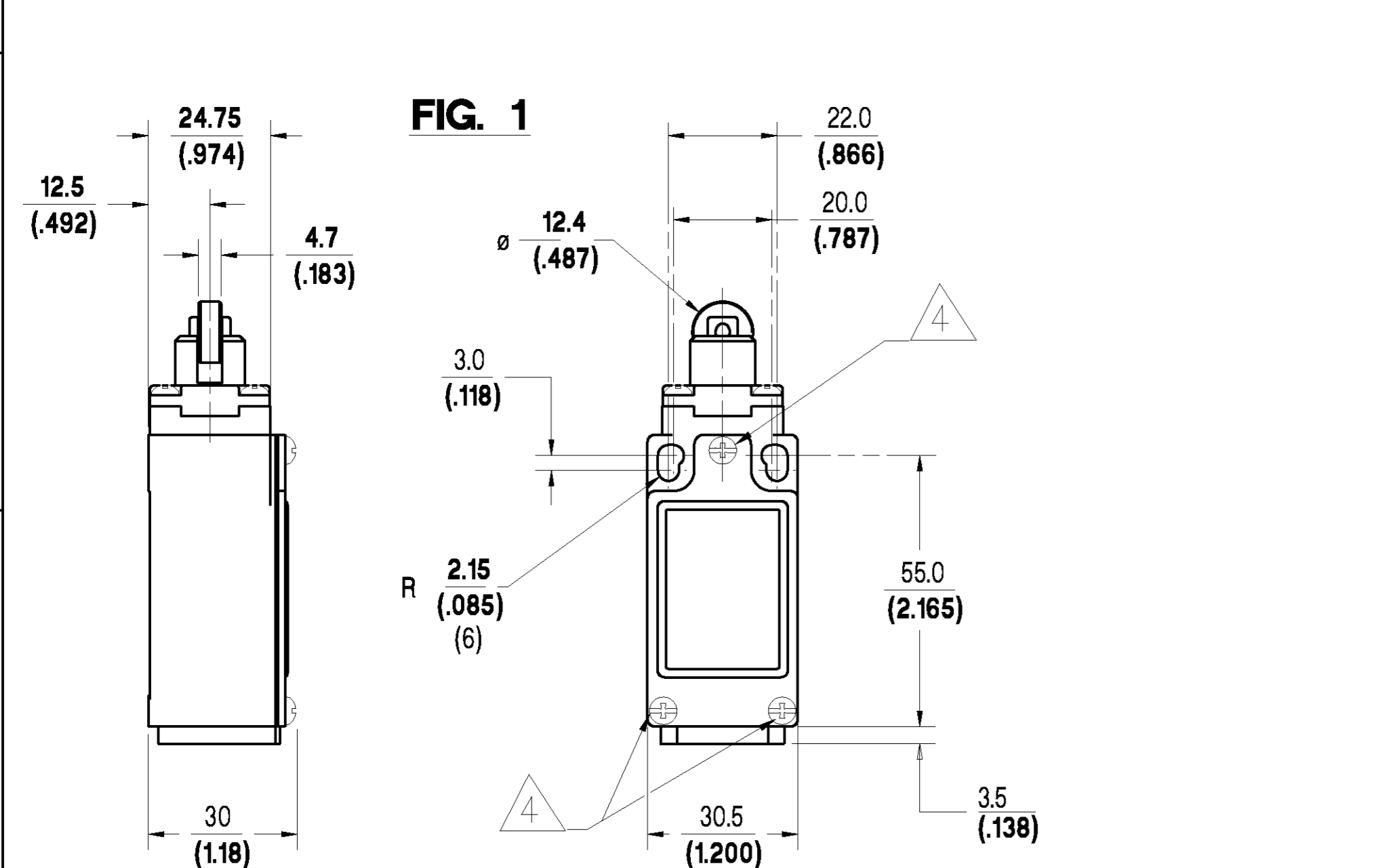
REPLACES
DRAWING NUMBER
AO1B-170

REVISIONS

6	9/96
7	12/96
8	7/97
9	8/97
10	CO/395
11	WEIR 6/98

DRAWN: M. LOCH
CHECK: I. WEIR
DESIGN: J. BOYD
AUTHOR: P. FRICKETT

Honeywell **LIMIT SWITCH** **GLS**
CHART NO. **MTG-GL-169**

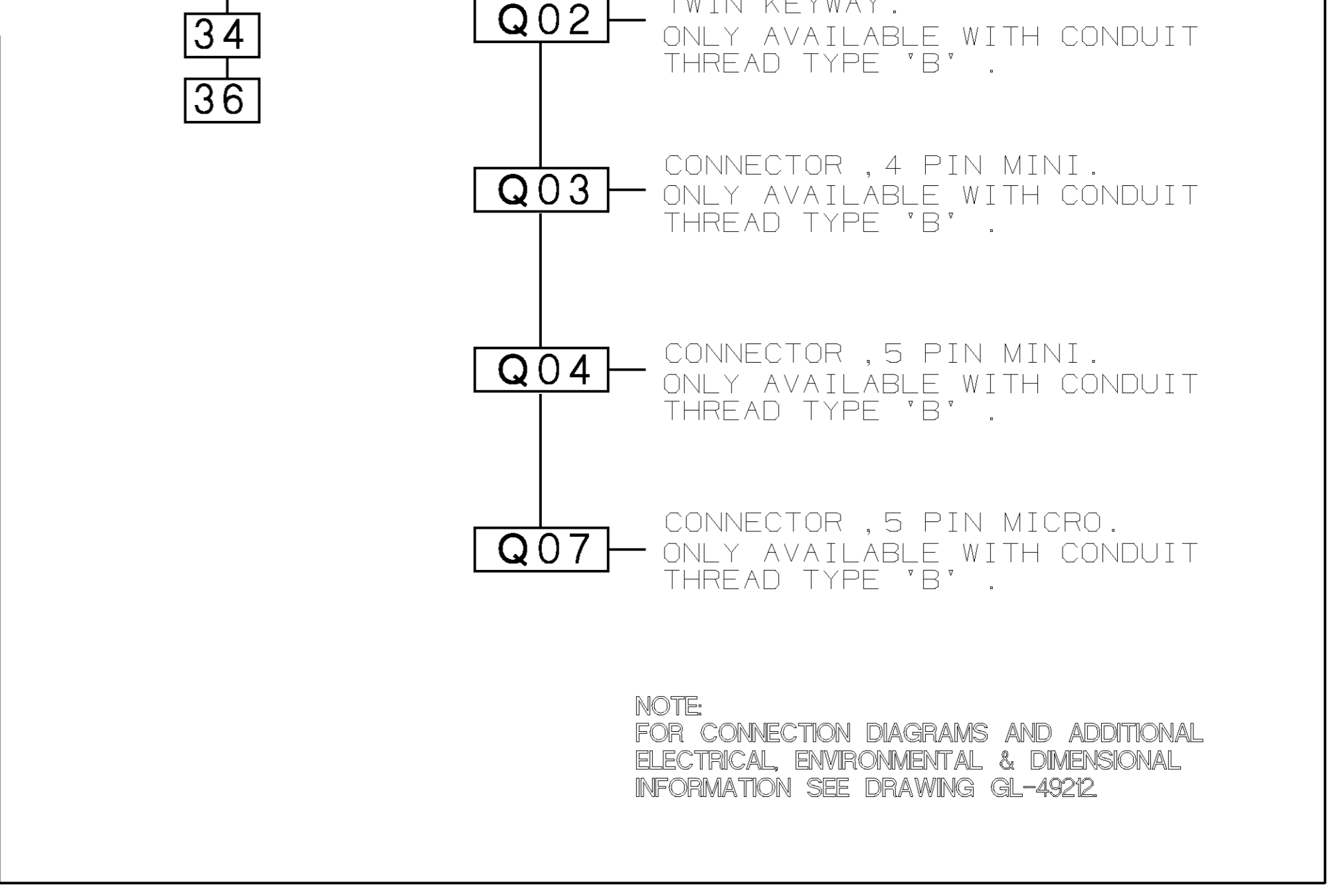
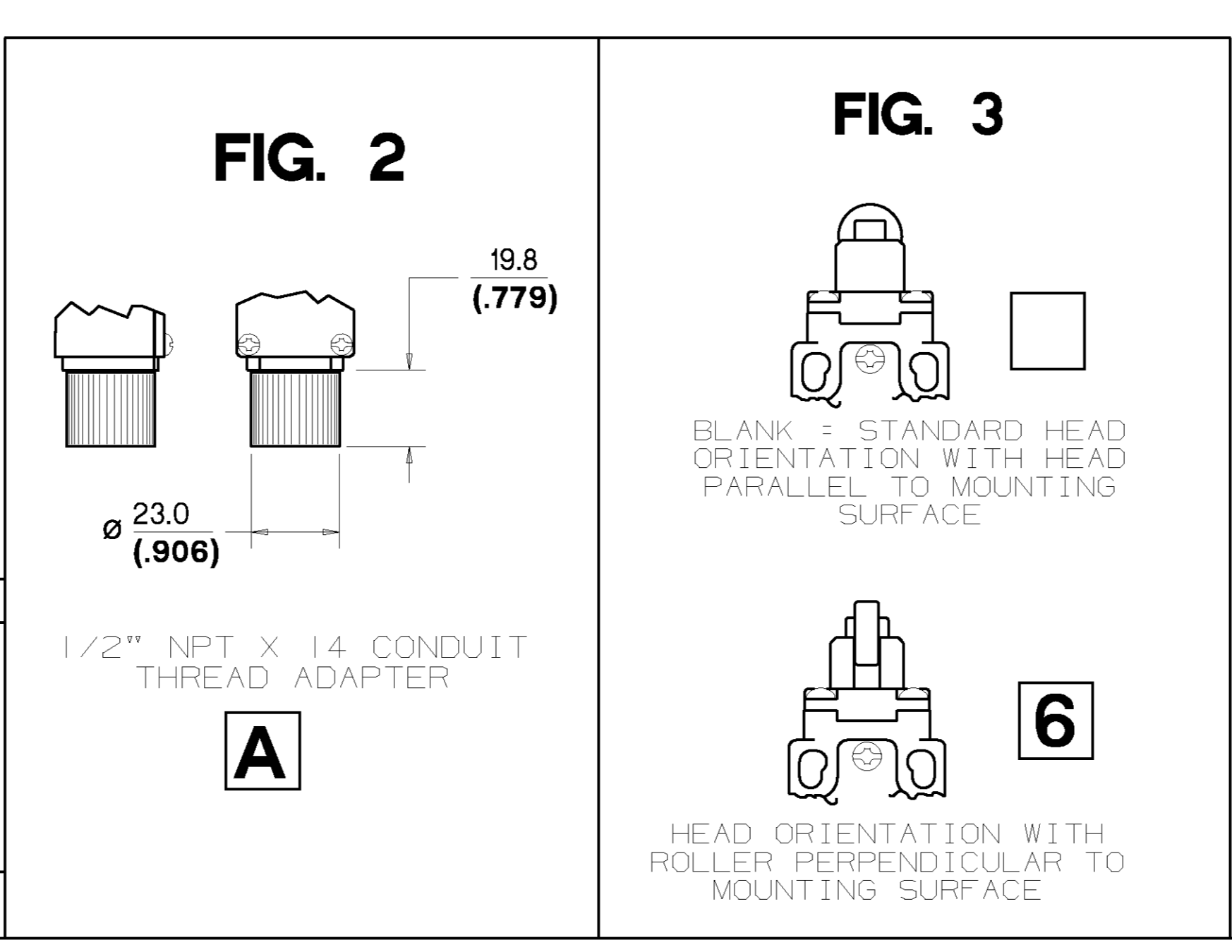
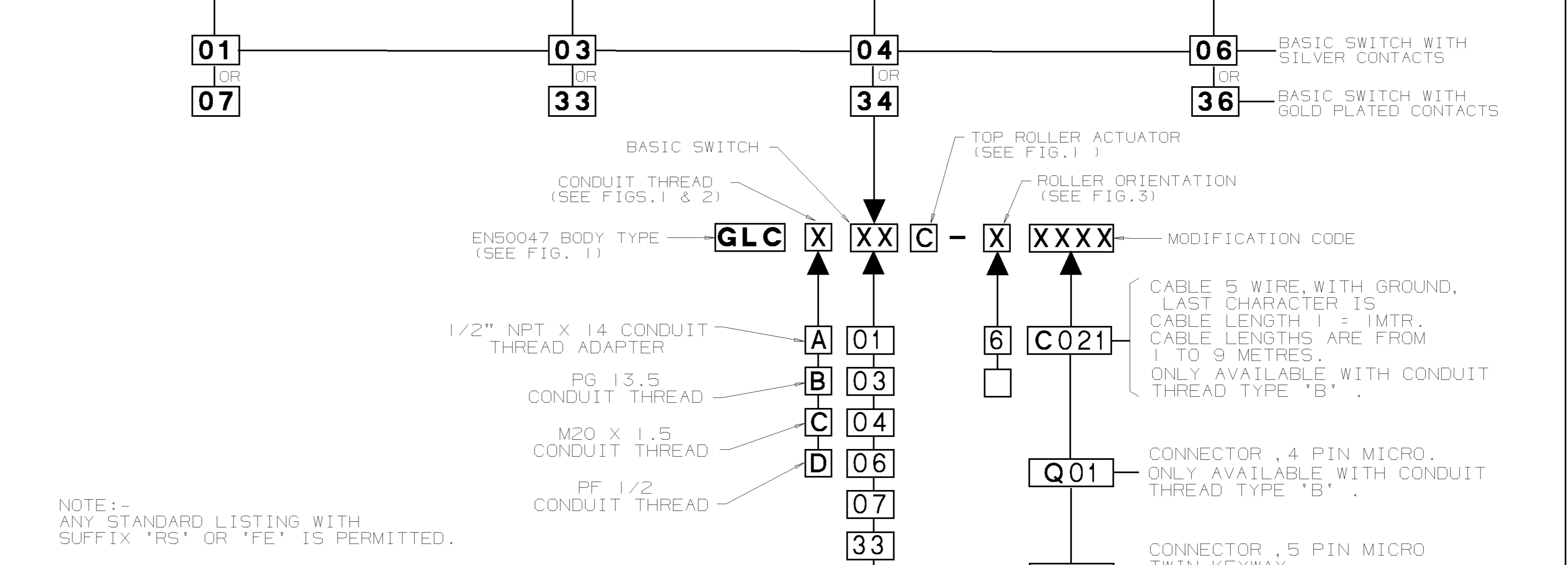


NOTES:-
1. ZINC DIECAST BODY AND HEAD WITH STEEL COVER. BODY AND COVER FINISHED IN MICRO SWITCH BLUE EPOXY PAINT. HEAD FINISHED IN BLACK EPOXY PAINT.
2. MINIMUM OPERATING VELOCITY (V_{min}) = 1.0 MM/S (THESE LIMITS APPLY TO CAM OPERATION AS SHOWN IN THE ABOVE DIAGRAMS ONLY)
MAXIMUM OPERATING VELOCITY (V_{max}) = 100 MM/S
MAXIMUM OPERATING FREQUENCY (F_{max}) = 250 OPS/MIN
3. FREE POSITION (FP), OPERATING POINT (OP), OVERTRAVEL (OT) AND PRETRAVEL (PT) ALL TO EN50047.
△ MAXIMUM TIGHTENING TORQUE FOR FIXING SCREW = 0.5Nm (4.4in.LB)

NO CHANGES CAN BE MADE TO THIS DRAWING WITHOUT JOINT NEWHOUSE/FREEPORT APPROVAL

STANDARD SILVER CONTACTS	GOLD PLATED CONTACTS	ENVIRONMENTAL		APPROVALS
ELECTRICAL RATING		ENVIRONMENTAL		UL IEC 947-5-1 EN50047
AC A300 U _e 120 240	DC O300 U _e 125 250	IP66 NEMA 1, 4, 12, 13 TEMP RANGE : -25°C TO 85°C -13°F TO 185°F STORAGE : -40°C TO 85°C -40°F TO 185°F SHOCK : 50G PER IEC 68-2-27 VIBRATION : 10G PER IEC 68-2-6		
I _{th} = 10A 1V 10µA MIN. 50V 100mA MAX.				
SCALE 1:1		DIMENSIONS ARE IN MM/INCHES.		

SNAP-ACTION CONTACTS	SLOW-ACTION CONTACTS (BREAK BEFORE MAKE)	SLOW-ACTION CONTACTS (MAKE BEFORE BREAK)	SLOW-ACTION CONTACTS (2 NORMALLY CLOSED)	CONTACT BLOCK DIAGRAM TERMINAL DESIGNATION TO EN 50013
				NOMINAL TRAVELS AND RELATED TERMINALS CONTACT CLOSED CONTACT OPEN * POSITIVE OPENING TO IEC 947-5-1-3
16 (3.6)	14 (3.2)	16 (3.6)	13 (2.9)	NORMAL OPERATING FORCE MAX N (lbf)
23 (5.2)	24 (5.4)	27 (6.1)	23 (5.2)	MAXIMUM DISCONNECT FORCE N (lbf)



NOTE: FOR CONNECTION DIAGRAMS AND ADDITIONAL ELECTRICAL, ENVIRONMENTAL & DIMENSIONAL INFORMATION SEE DRAWING GL-49212