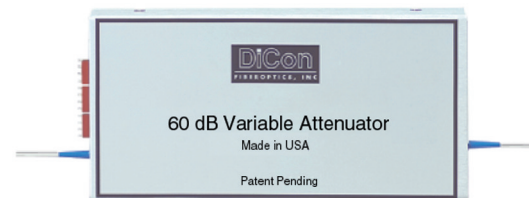


ATTENUATORS

60 DB VARIABLE ATTENUATOR

DiCon's 60 dB Variable Attenuator is a TTL-driven component that sets attenuation levels in the 0 to 60 dB range. The attenuation level is set using a high-precision motor with either the I²C standard interface or a proprietary Step-Up/Step-Down interface.



FEATURES

- Wide attenuation range
- Low back-reflection
- Low insertion loss
- Direct motor control or absolute attenuation setting

APPLICATIONS

60 dB Variable Attenuators can be used to adjust the power level in automated test systems. Applications include analog transmitter and receiver testing.



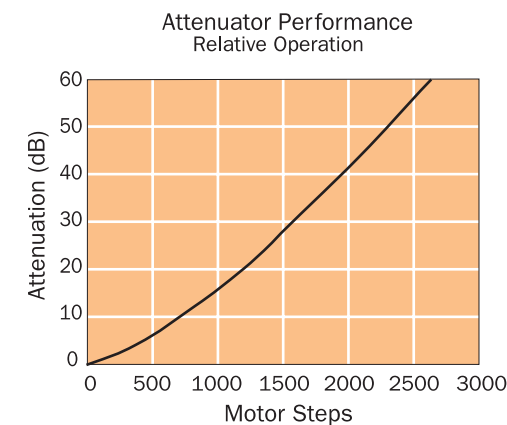
ATTENUATORS

SPECIFICATIONS¹

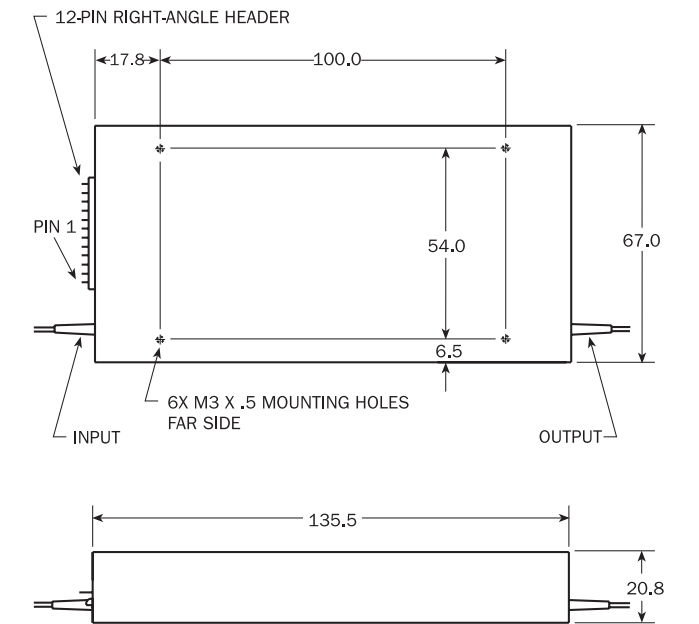
Attenuation range	0-30 dB max.	31-60 dB max.
Resolution ²	0.12 dB max.	0.15 dB max.
Repeatability ²	±0.1 dB max.	±0.1 dB max.
Absolute accuracy ^{2,3}	±0.2 dB max.	±0.25 dB max.
PDL ⁴	0.1 dB max.	0.3 dB max.
Insertion loss	0.6 dB typ., 1.5 dB max.	
Back-reflection	-50 dB max.	
Tuning speed	50 ms min., 1400 ms max.	
Optical power ⁵	300 mW	
Operating temperature	0°C to +50°C	
Storage temperature	-20°C to +70°C	
Humidity	40°C/90%RH/5 days	
Power requirements	±12 VDC in, 350 mA max.	
Fiber type ⁶	9/125 Corning SMF-28	
Fiber jacket	0.9 mm tight buffer	

1. All specifications referenced without connectors.
2. For superior specifications, see Precision Variable Attenuator datasheet.
3. At calibration wavelength.
4. Measured at 1550 nm.
5. High power version (2W) available as special order.
6. For multimode fiber, see Precision Variable Attenuator datasheet.

OPTICAL PERFORMANCE



HOUSING DIMENSIONS



Units: mm
Electrical connector is 12-pin right-angle header (Molex part number 22-12-2124). Mate with Molex part number 22-01-3127 or equivalent.

ORDERING INFORMATION

