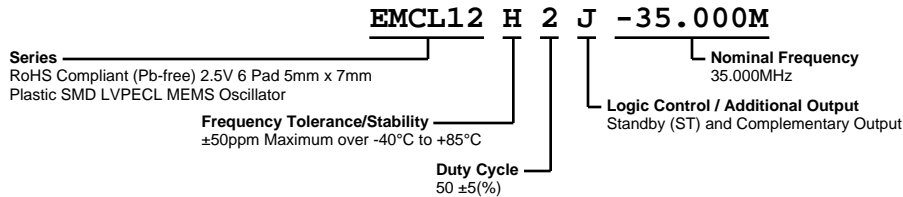


EMCL12H2J-35.000M



ECLIPTEK
CORPORATION



ELECTRICAL SPECIFICATIONS

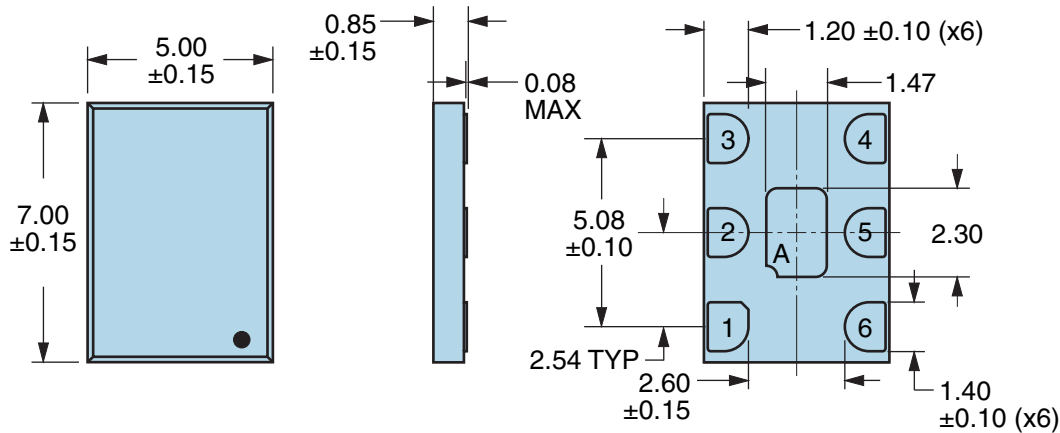
| | |
|---------------------------------------------------|------------------------------------------------------------------------------------------------------------------------------------------------------------------------------------------------------------------------------------------------------------|
| Nominal Frequency | 35.000MHz |
| Frequency Tolerance/Stability | ±50ppm Maximum over -40°C to +85°C (Inclusive of all conditions: Calibration Tolerance at 25°C, Frequency Stability over the Operating Temperature Range, Supply Voltage Change, Output Load Change, 1st Year Aging at 25°C, Reflow, Shock, and Vibration) |
| Aging at 25°C | ±1ppm First Year Maximum |
| Supply Voltage | +2.5Vdc ±0.125Vdc |
| Input Current | 75mA Maximum (Excluding Load Termination Current) |
| Output Voltage Logic High (Voh) | 1.55Vdc Typical, Vcc-1.025Vdc Minimum |
| Output Voltage Logic Low (Vol) | 0.80Vdc Typical, Vcc-1.62Vdc Maximum |
| Rise/Fall Time | 150pSec Typical, 300pSec Maximum (Measured over 20% to 80% of waveform) |
| Duty Cycle | 50 ±5(%) (Measured at 50% of waveform) |
| Load Drive Capability | 50 Ohms into Vcc-2.0Vdc |
| Output Logic Type | LVPECL |
| Logic Control / Additional Output | Standby (ST) and Complementary Output |
| Output Control Input Voltage | Vih of 70% of Vcc Minimum or No Connect to Enable Output and Complementary Output, Vil of 30% of Vcc Maximum to Disable Output and Complementary Output (High Impedance) |
| Standby Current | 30µA Maximum (ST) Without Load |
| Period Jitter (Deterministic) | 0.2pSec Typical |
| Period Jitter (Random) | 2.0pSec Typical |
| Period Jitter (RMS) | 1.5pSec Typical, 3.0pSec Maximum |
| Period Jitter (pk-pk) | 20pSec Typical, 25pSec Maximum |
| RMS Phase Jitter (Fj = 637kHz to 10MHz; Random) | 1.7pSec Typical |
| RMS Phase Jitter (Fj = 1MHz to 20MHz; Random) | 1.4pSec Typical |
| RMS Phase Jitter (Fj = 1.875MHz to 20MHz; Random) | 1.1pSec Typical |
| Start Up Time | 10mSec Maximum |
| Storage Temperature Range | -55°C to +125°C |

ENVIRONMENTAL & MECHANICAL SPECIFICATIONS

| | |
|------------------------------|-------------------------------------------------------------------|
| ESD Susceptibility | MIL-STD-883, Method 3015, Class 2, HBM 2000V |
| Flammability | UL94-V0 |
| Mechanical Shock | MIL-STD-883, Method 2002, Condition G, 30,000G |
| Moisture Resistance | MIL-STD-883, Method 1004 |
| Moisture Sensitivity Level | J-STD-020, MSL 1 |
| Resistance to Soldering Heat | MIL-STD-202, Method 210, Condition K |
| Resistance to Solvents | MIL-STD-202, Method 215 |
| Solderability | MIL-STD-883, Method 2003 (Six I/O Pads on bottom of package only) |
| Temperature Cycling | MIL-STD-883, Method 1010, Condition B |
| Thermal Shock | MIL-STD-883, Method 1011, Condition B |
| Vibration | MIL-STD-883, Method 2007, Condition A, 20G |

EMCL12H2J-35.000M

MECHANICAL DIMENSIONS (all dimensions in millimeters)



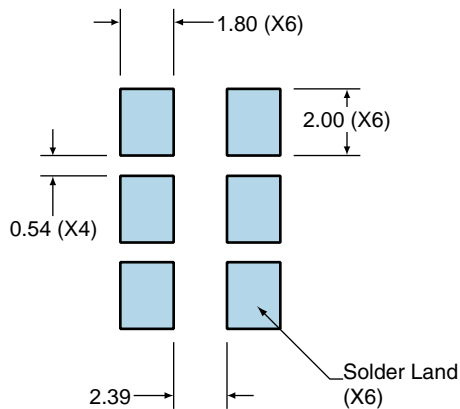
| PIN | CONNECTION |
|-----|----------------------|
| 1 | Standby (ST) |
| 2 | No Connect |
| 3 | Case Ground |
| 4 | Output |
| 5 | Complementary Output |
| 6 | Supply Voltage |

| LINE | MARKING |
|------|-------------------------------------------------------------------|
| 1 | XXXX or XXXXX XXXX or XXXXX=Ecliptek Manufacturing Lot Code |

Note A: Center paddle is connected internally to oscillator ground (Pad 3).

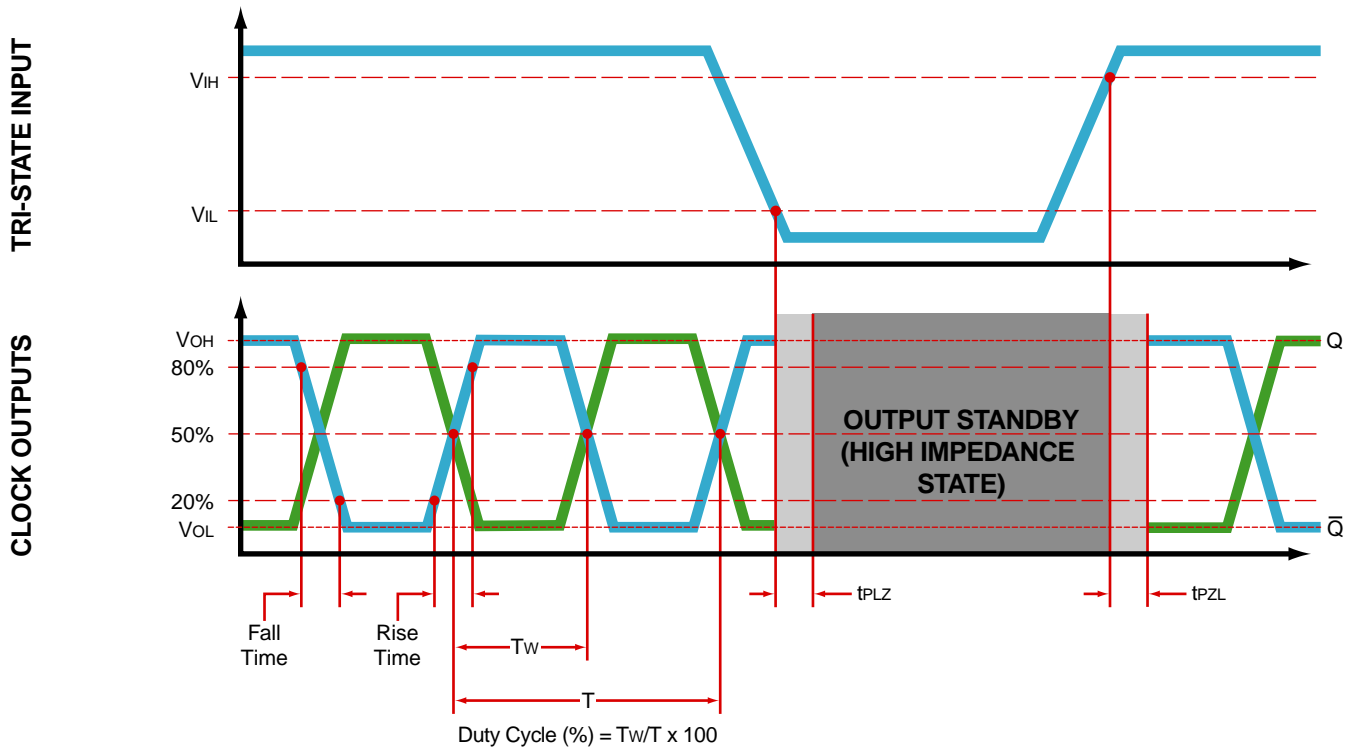
Suggested Solder Pad Layout

All Dimensions in Millimeters

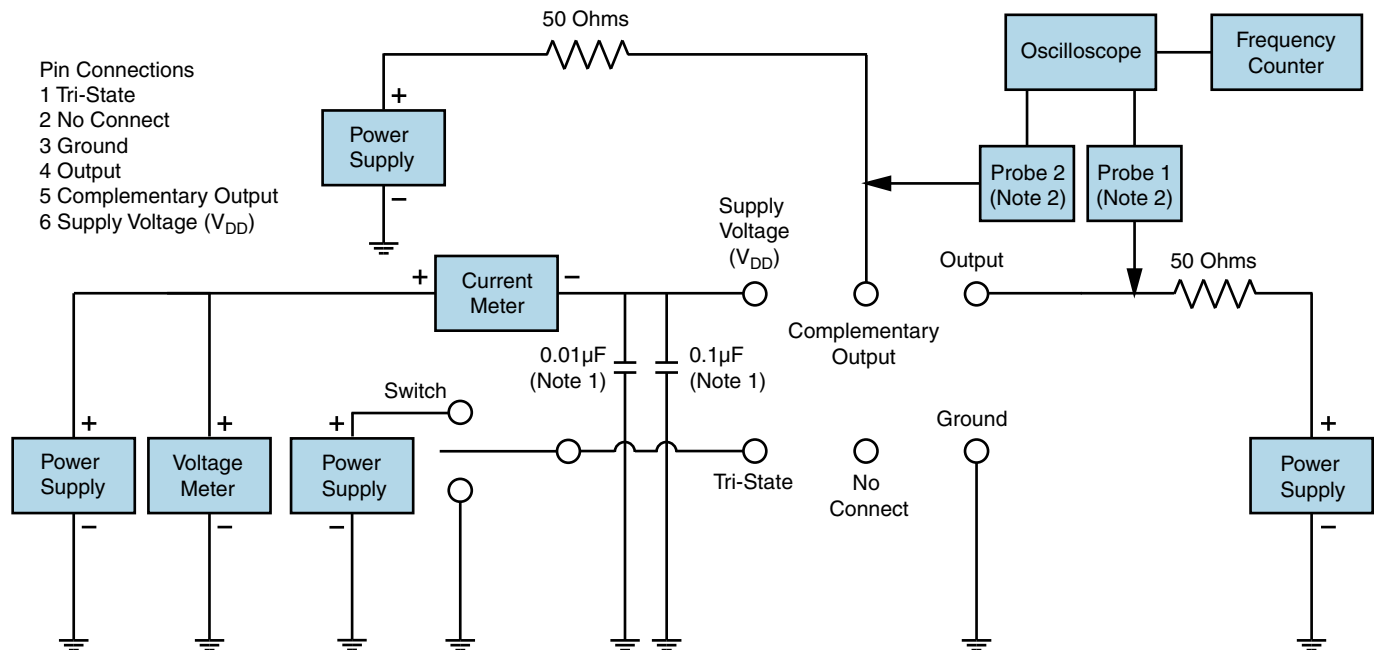


All Tolerances are ± 0.1

OUTPUT WAVEFORM & TIMING DIAGRAM



Test Circuit for Tri-State and Complementary Output



Note 1: An external 0.01µF ceramic bypass capacitor in parallel with a 0.1µF high frequency ceramic bypass capacitor close (less than 2mm) to the package ground and supply voltage pin is required.

Note 2: A low capacitance (<12pF), 10X attenuation factor, high impedance (>10Mohms), and high bandwidth (>500MHz) passive probe is recommended.

Note 3: Test circuit PCB traces need to be designed for a characteristic line impedance of 50 ohms.

Recommended Solder Reflow Methods



High Temperature Infrared/Convection

| | |
|----------------------------------------------------------------|--------------------------------------|
| T_S MAX to T_L (Ramp-up Rate) | 3°C/second Maximum |
| Preheat | |
| - Temperature Minimum (T_S MIN) | 150°C |
| - Temperature Typical (T_S TYP) | 175°C |
| - Temperature Maximum (T_S MAX) | 200°C |
| - Time (t_s MIN) | 60 - 180 Seconds |
| Ramp-up Rate (T_L to T_P) | 3°C/second Maximum |
| Time Maintained Above: | |
| - Temperature (T_L) | 217°C |
| - Time (t_L) | 60 - 150 Seconds |
| Peak Temperature (T_P) | 260°C Maximum for 10 Seconds Maximum |
| Target Peak Temperature (T_P Target) | 250°C +0/-5°C |
| Time within 5°C of actual peak (t_p) | 20 - 40 seconds |
| Ramp-down Rate | 6°C/second Maximum |
| Time 25°C to Peak Temperature (t) | 8 minutes Maximum |
| Moisture Sensitivity Level | Level 1 |

Recommended Solder Reflow Methods



Low Temperature Infrared/Convection 240°C

| | |
|----------------------------------------------------------------|--------------------------------------------------------|
| T_S MAX to T_L (Ramp-up Rate) | 5°C/second Maximum |
| Preheat | |
| - Temperature Minimum (T_S MIN) | N/A |
| - Temperature Typical (T_S TYP) | 150°C |
| - Temperature Maximum (T_S MAX) | N/A |
| - Time (t_s MIN) | 60 - 120 Seconds |
| Ramp-up Rate (T_L to T_P) | 5°C/second Maximum |
| Time Maintained Above: | |
| - Temperature (T_L) | 150°C |
| - Time (t_L) | 200 Seconds Maximum |
| Peak Temperature (T_P) | 240°C Maximum |
| Target Peak Temperature (T_P Target) | 240°C Maximum 1 Time / 230°C Maximum 2 Times |
| Time within 5°C of actual peak (t_p) | 10 seconds Maximum 2 Times / 80 seconds Maximum 1 Time |
| Ramp-down Rate | 5°C/second Maximum |
| Time 25°C to Peak Temperature (t) | N/A |
| Moisture Sensitivity Level | Level 1 |

Low Temperature Manual Soldering

185°C Maximum for 10 seconds Maximum, 2 times Maximum.

High Temperature Manual Soldering

260°C Maximum for 5 seconds Maximum, 2 times Maximum.