

**SPECIFICATIONS**

**Smart Series Cable assembly**

**Constituent**  
 26POS. Smart Serial + Raw cable + V.35

**Smart Series**  
 26POS. Smart Serial To V.35

**Mechanical**  
 Retention Force between S/R and cable: 20 lb min.

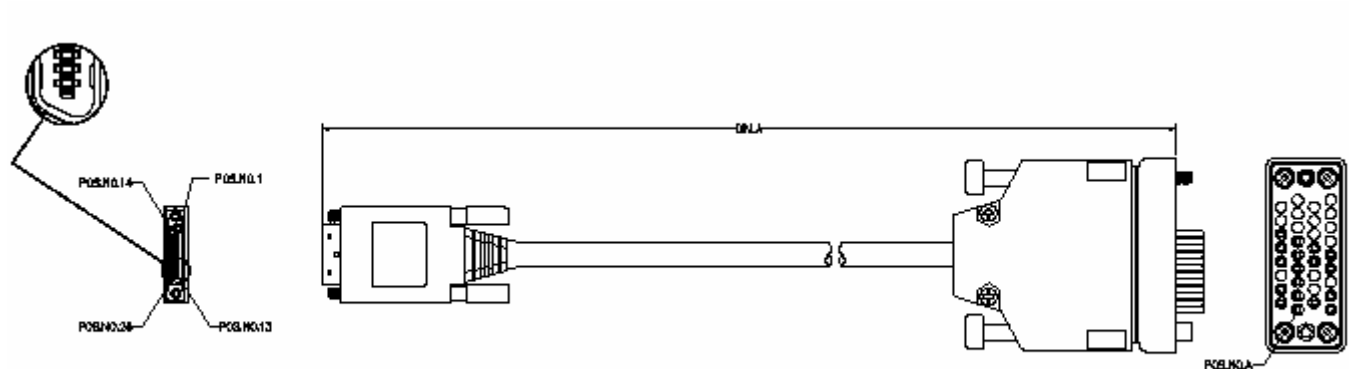
**Electrical**  
 Insulation Resistance: 10MW min./500V DC  
 Contact Resistance: 5W  
 Impedance: 100+/-10 W at 2MHz

**Physical**  
 Overmold: PVC

**Agency Approvals**  
 PVC: UL 94V-0 rated



**DRAWING**



**ORDERING INFORMATION**

PRODUCT NO.: CQ D26 NN XXX - XXX - YF

CQ: Cable Assembly  
 D26: J1 Connector Smart series 26 pos.  
 NN: Length of Cable  
 XXX - XXX: Extension Code  
 YF: Lead free

J2 Connector  
 V35=V35 connector  
 V36=V36, D-Sub37 connector  
 V24=V24, D-Sub25 connector  
 X21=X 21, D-Sub15 connector  
 D26= Smart Serial 26 pos. connector  
 530=R5530, D-Sub25 connector  
 H60=60 pos. LFH connector

CQD2610V35-001-YF	3048 [120.000]
P/N	DIM. A