

SPECIFICATIONS

Mechanical

Contact Retention Force: 0.75Lbs (0.34kgf) min. per Contact
Durability: 25 Cycles
Dram Board Insertion Force: 3 oz max. per Contact

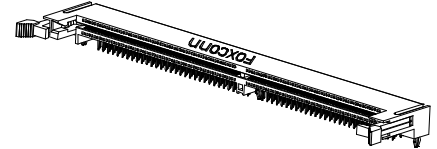
Electrical

Voltage Raging: 250V AC
Current Rating: 1.0A max., 30 max., in Temperature Rise
Insulation Resistance: 1000MW min. initial
Dielectric Withstanding Voltage: 500V AC at Sea Level
Low Level Contact Resistance: 30mW max. initial

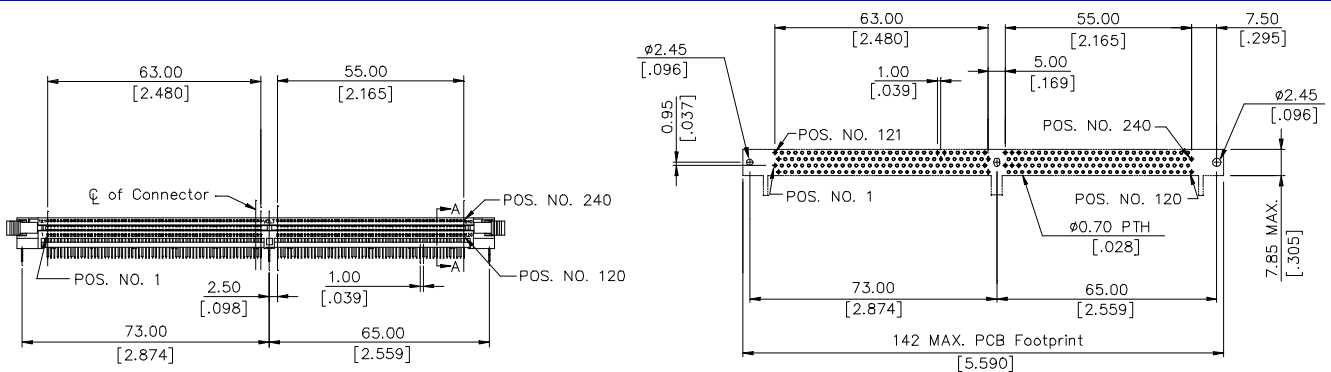
Physical

Housing: Thermoplastic, UL 94V-0 rated in Black Color
Contact: Copper alloy
Ejector: Thermoplastic, UL 94V-0 rated in Ivory or Natural Color
Metal Hold Down: Copper alloy
Operating Temperature: -55 to +105

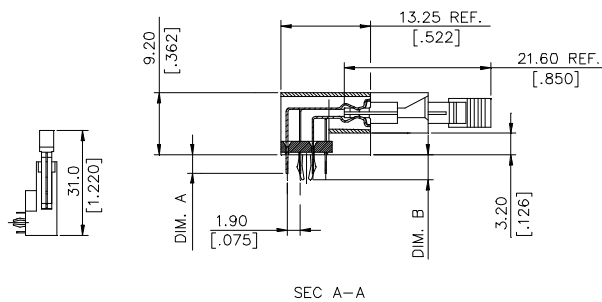
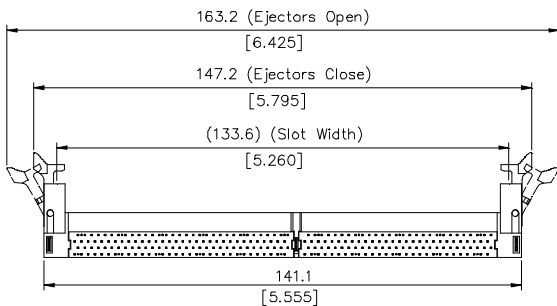
AU040 Series
Right Angle, T/H Type
1.00mm [.039"] Pitch
240 Pos.



DRAWING



RECOMMENDED P.C.B. LAYOUT



ORDERING INFORMATION

PRODUCT NO.: AU040** - R3 - **

Memory Socket _____ PLATING TYPE
 Right Angle _____ 4F=LEAD FREE
 No. of Pos. _____ Extension Code
 40=240 Pos. _____
 Tail Length _____ Contact Area Plating
 0=3.18 [.125] 1=Gold Flash
 1=2.67 [.105] 2=20u" Gold
 3=30u" Gold
 6=10u" Gold
 7=15u" Gold

AU0401*-R3-**	240	1.8V	2.67 [.105]	3.78 [.149]
AU0400*-R3-**	240	1.8V	3.18 [.125]	4.57 [.180]
P/N	POS.	VOLTAGE MARKING	DIM. A	DIM. B