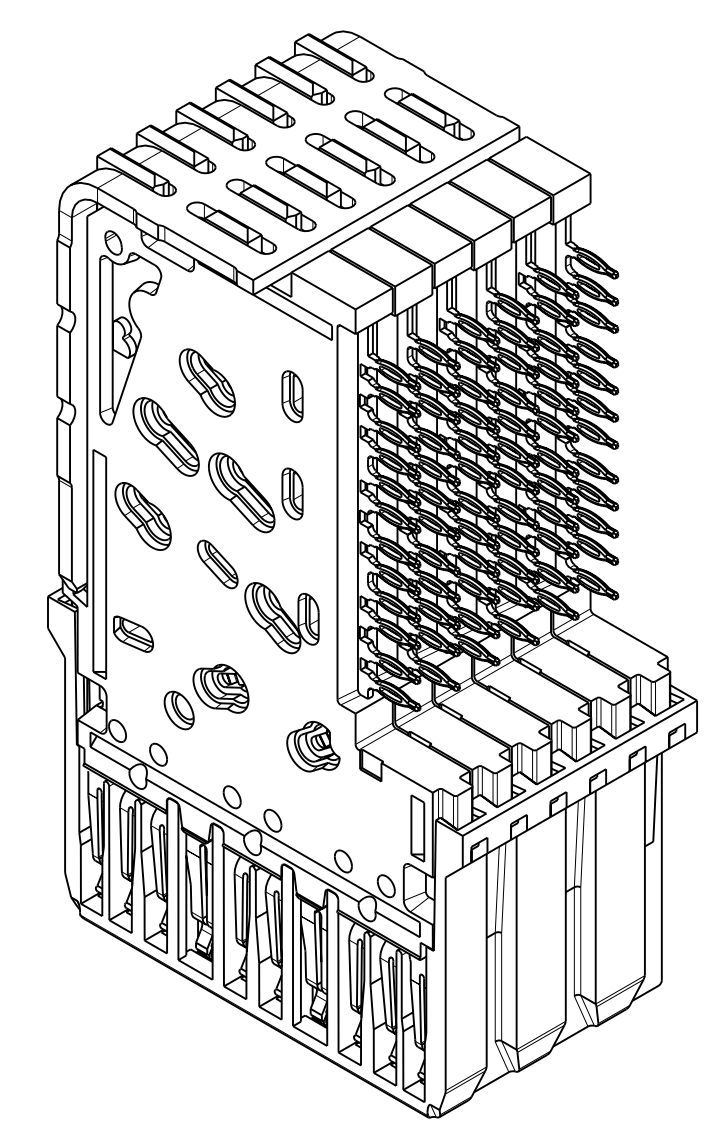


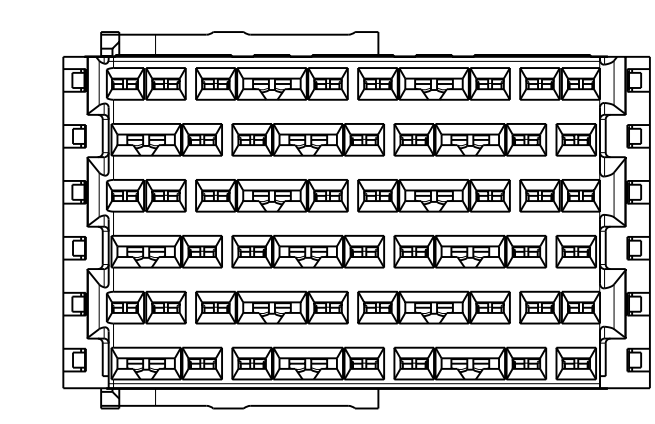
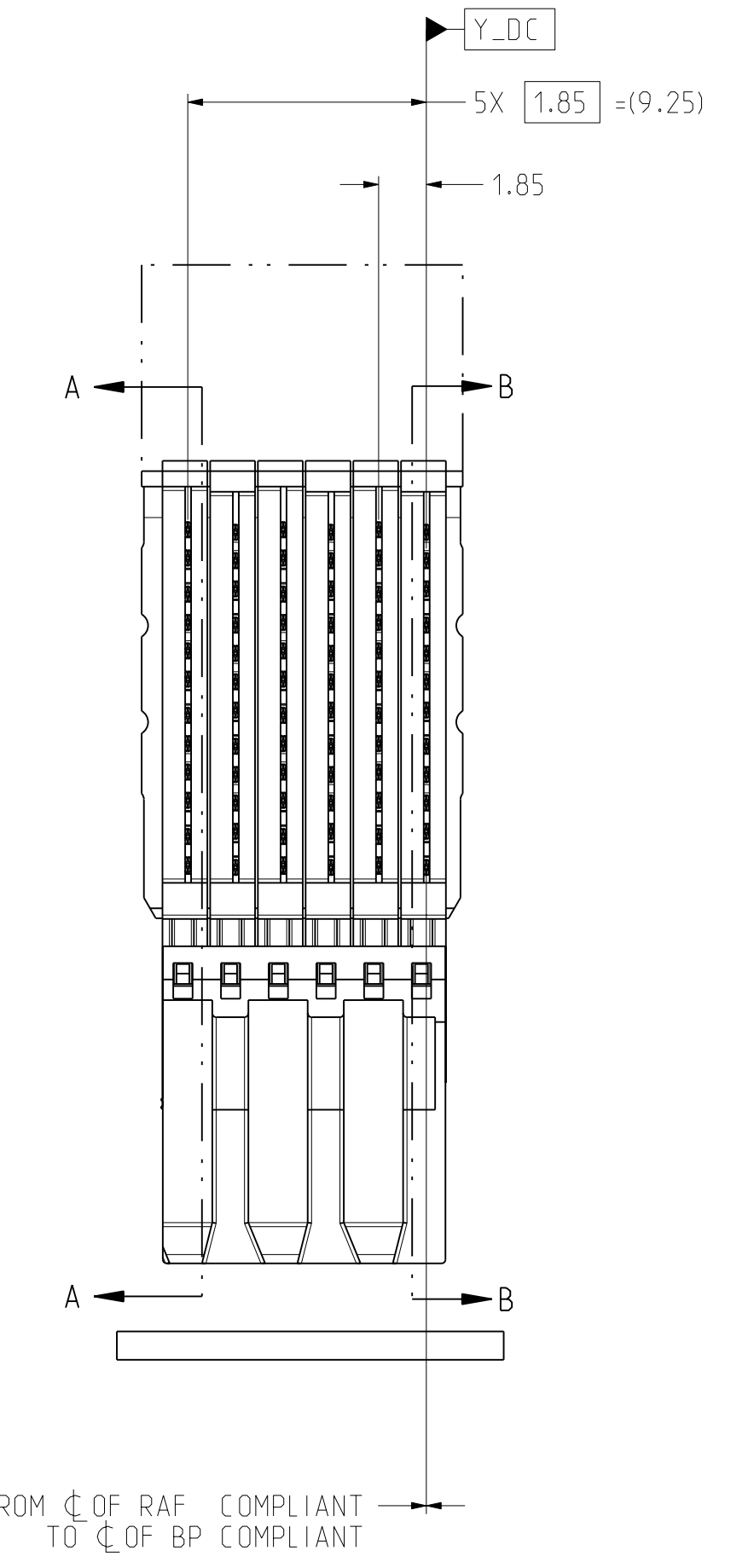
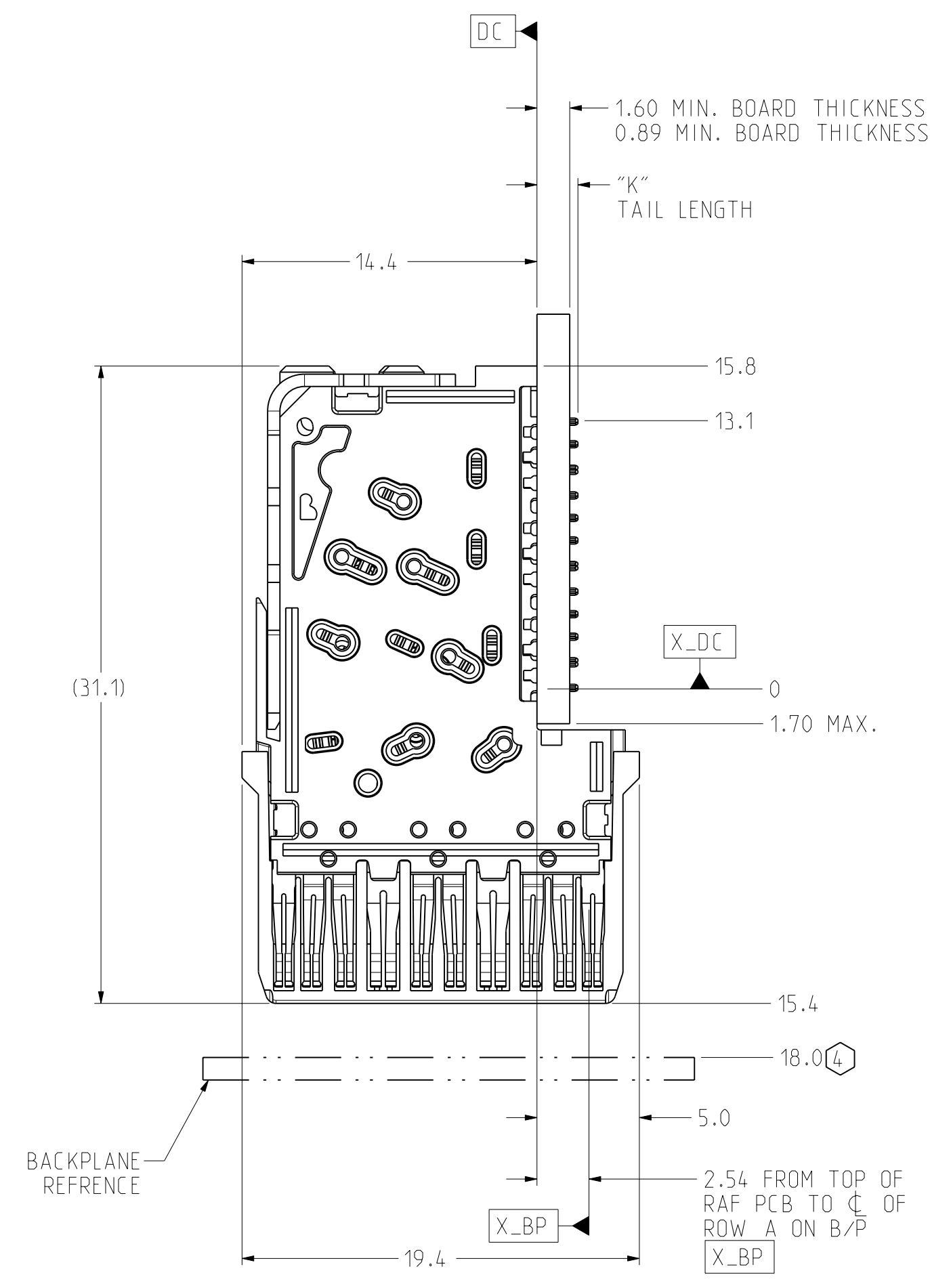
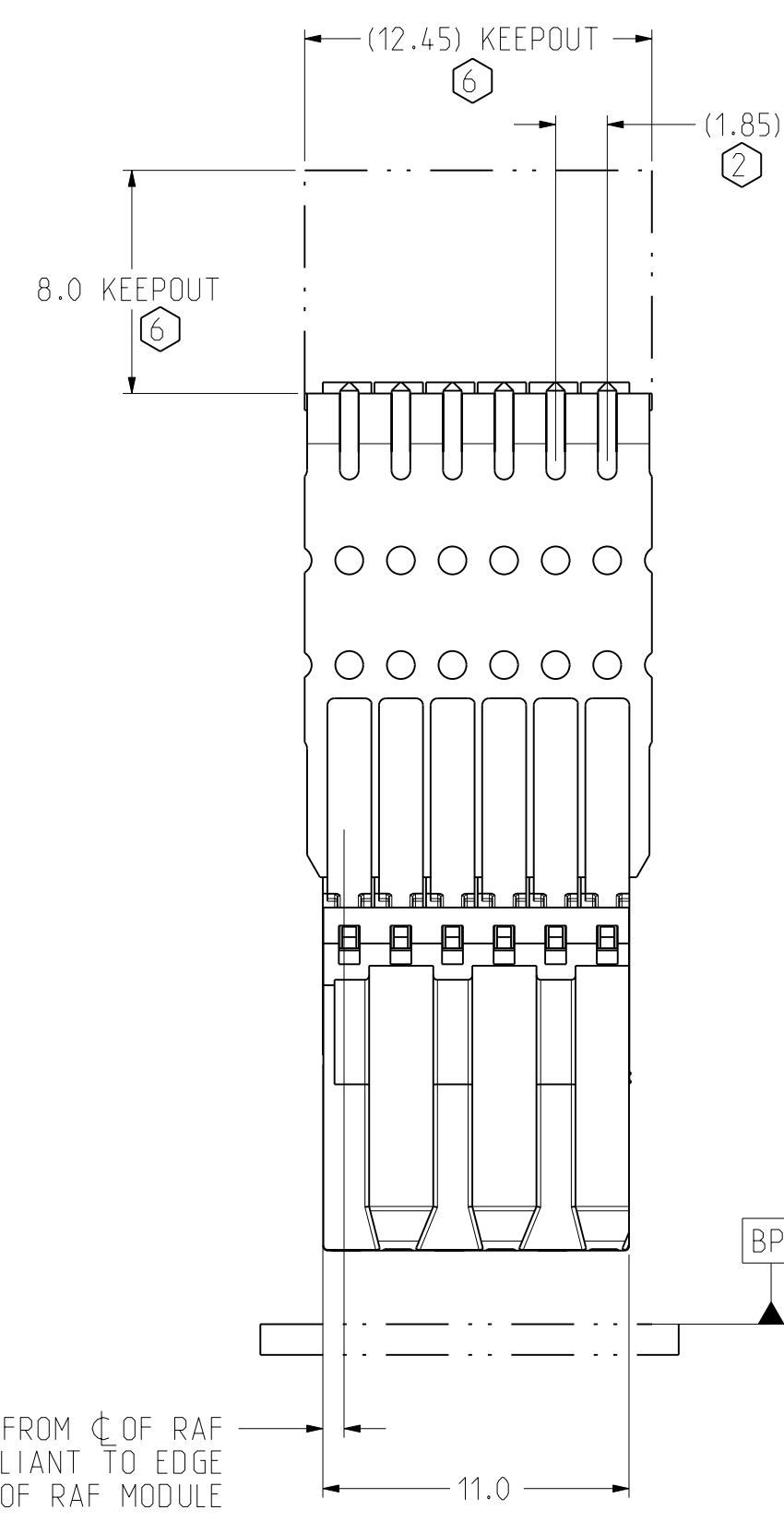
ZONE	REV	SCR NUMBER	DESCRIPTION	BY	DATE	APPROVED
ALL	4.0		ADDED LOW SPEED MODULE AND DRAWING # WAS C950-300A-500	HCL-GM	02/16/2009	D.MANTER

TABLE 1					
PART NUMBER	COMPLIANT PIN	IMPEDANCE	DESCRIPTION	PLATING	DIM "K"
950-301A-B1B	Ø0.0225"	100Ω	HIGH SPEED DIFFERENTIAL	30 MICROINCH GOLD	2.0
950-301A-B1C				50 MICROINCH GOLD	
950-301A-B1D				30 MICROINCH GOLD, LEADFREE	
950-301A-B1E				50 MICROINCH GOLD, LEADFREE	
950-301C-B1B	Ø0.0225"	85Ω	HIGH SPEED DIFFERENTIAL	30 MICROINCH GOLD	2.0
950-301C-B1C				50 MICROINCH GOLD	
950-301C-B1D				30 MICROINCH GOLD, LEADFREE	
950-301C-B1E				50 MICROINCH GOLD, LEADFREE	
950-301A-B3B	Ø0.0177"	100Ω	HIGH SPEED DIFFERENTIAL	30 MICROINCH GOLD	1.3
950-301A-B3C				50 MICROINCH GOLD	
950-301A-B3D				30 MICROINCH GOLD, LEADFREE	
950-301A-B3E				50 MICROINCH GOLD, LEADFREE	
950-301C-B3B	Ø0.0177"	85Ω	HIGH SPEED DIFFERENTIAL	30 MICROINCH GOLD	1.3
950-301C-B3C				50 MICROINCH GOLD	
950-301C-B3D				30 MICROINCH GOLD, LEADFREE	
950-301C-B3E				50 MICROINCH GOLD, LEADFREE	
950-301E-B1B	Ø0.0225"	100Ω	LOW SPEED DIFFERENTIAL	30 MICROINCH GOLD	2.0
950-301E-B1C				50 MICROINCH GOLD	
950-301E-B1D				30 MICROINCH GOLD, LEADFREE	
950-301E-B1E				50 MICROINCH GOLD, LEADFREE	
950-301E-B3B	Ø0.0177"	100Ω	LOW SPEED DIFFERENTIAL	30 MICROINCH GOLD	1.3
950-301E-B3C				50 MICROINCH GOLD	
950-301E-B3D				30 MICROINCH GOLD, LEADFREE	
950-301E-B3E				50 MICROINCH GOLD, LEADFREE	

TABLE 2		
	COMPLIANT PIN DRILL Ø0.0225"	COMPLIANT PIN DRILL Ø0.0177"
PTH	Ø0.51 0.41	Ø0.40 0.30
DRILL	Ø0.57 [0.0225"]	Ø0.45 [0.0177"]
PAD	Ø0.88 (3)	Ø0.75 (3)



ISOMETRIC VIEW
SCALE 4/1

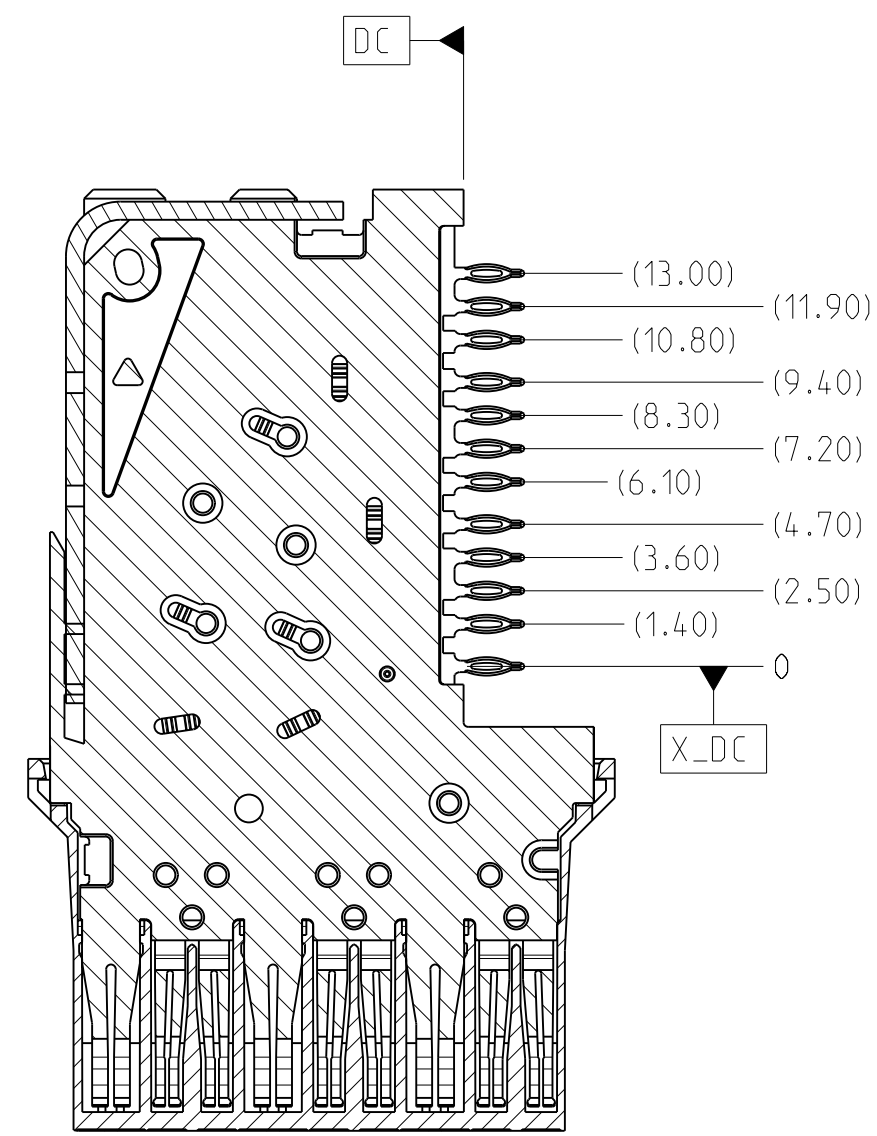


- NOTES:
- INTENDED FOR LAYOUT PURPOSES ONLY.
 - FOR WAFER PITCH USE 1.85mm NOMINAL FOR DAUGHTERCARD LAYOUT.
 - STATED PAD SIZE MAY REQUIRE FILLETING. SEE TB-2149 FOR ROUTING GUIDELINES.
 - NOMINAL DIMENSIONS FOR FULLY SEATED CONNECTOR.
 - REFER TO TB-2150 FOR XcEdE PRODUCT SPECIFICATIONS.
 - FOR CONNECTOR REPAIRABILITY, USE KEEP OUT ZONE.
 - DIMENSION APPLIES FOR BOTH COMPLIANT PINS

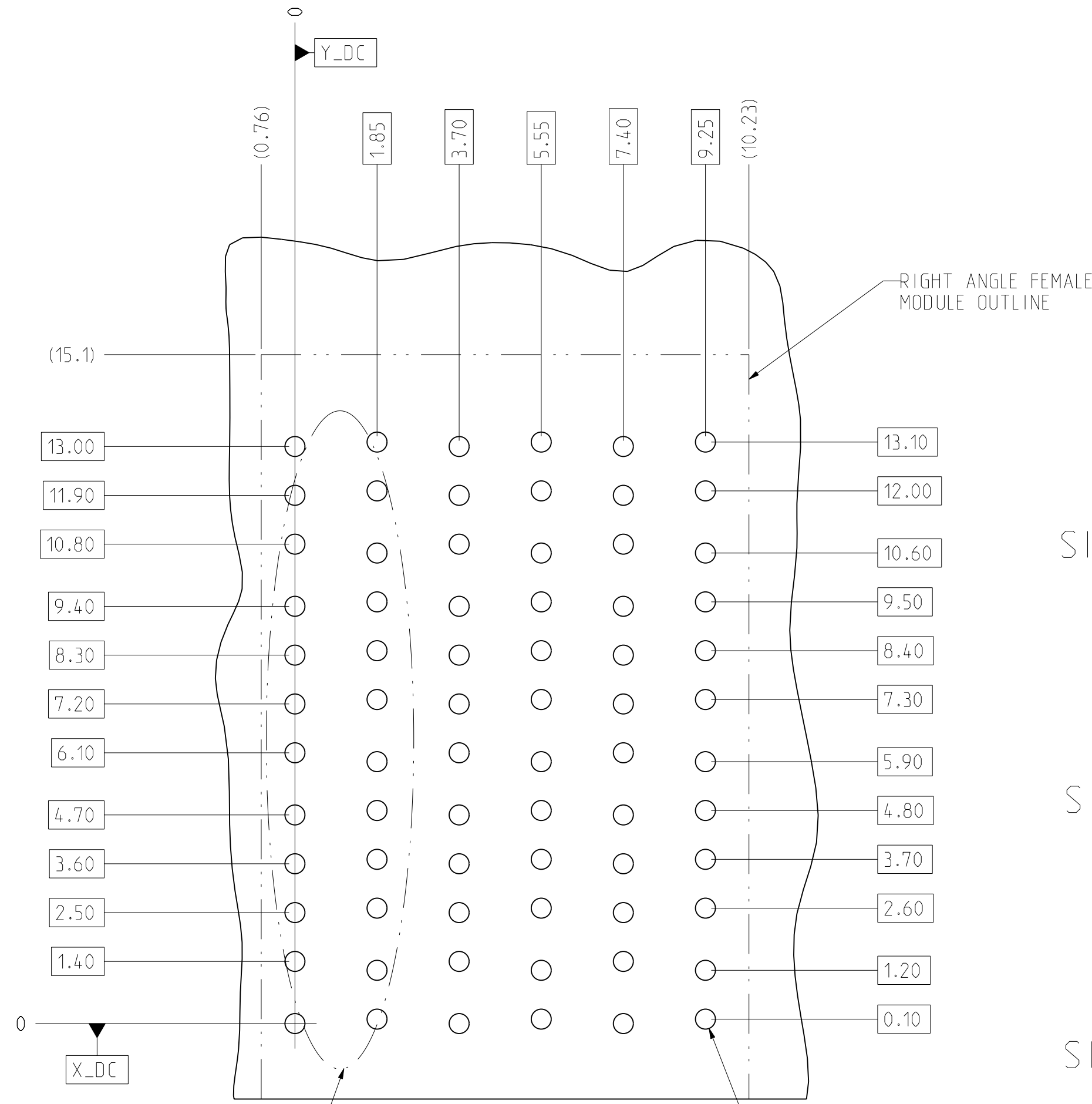
INTERPRET PER ASME Y14.5M
CODE IDENT 31413

TOLERANCES	DESIGN 07/03/2008 J.GIROUX	Amphenol TCS A Division of Amphenol Corporation 200 Innovative Way, Nashua, NH 03062 603.879.3000	TITLE RIGHT ANGLE FEMALE MODULE, 3PAIR, 6POS XcEdE	PART NO. SEE TABLE 1	REV 4.0
0.0 ±0.25	DRAWN 07/03/2008 J.GIROUX				
0.00 ±0.13	CHK 07/03/2008 T.COHEN				
0.000 ± -	APVD 07/03/2008 T.COHEN				
ANGLES ± 3°	UNLESS OTHERWISE SPECIFIED DIMENSIONS ARE IN MM. DECIMAL MARKER IS A PERIOD.		DRAWING NO. C950-301A-500		REV 4.0
CUSTOMER USE DRAWING			ProvE type: 01109-2ND-CONNECTOR3-6WAF 1.3 ProvE DRAWING: C950-301A-500-DC3-6WAF 1.7		
			SIZE D	SCALE 4/1	SHEET 1 OF 2

ZONE	REV	SCR NUMBER	DESCRIPTION	BY	DATE	APPROVED
			SEE SHEET 1			



SECTION B-B
WAFER "A"

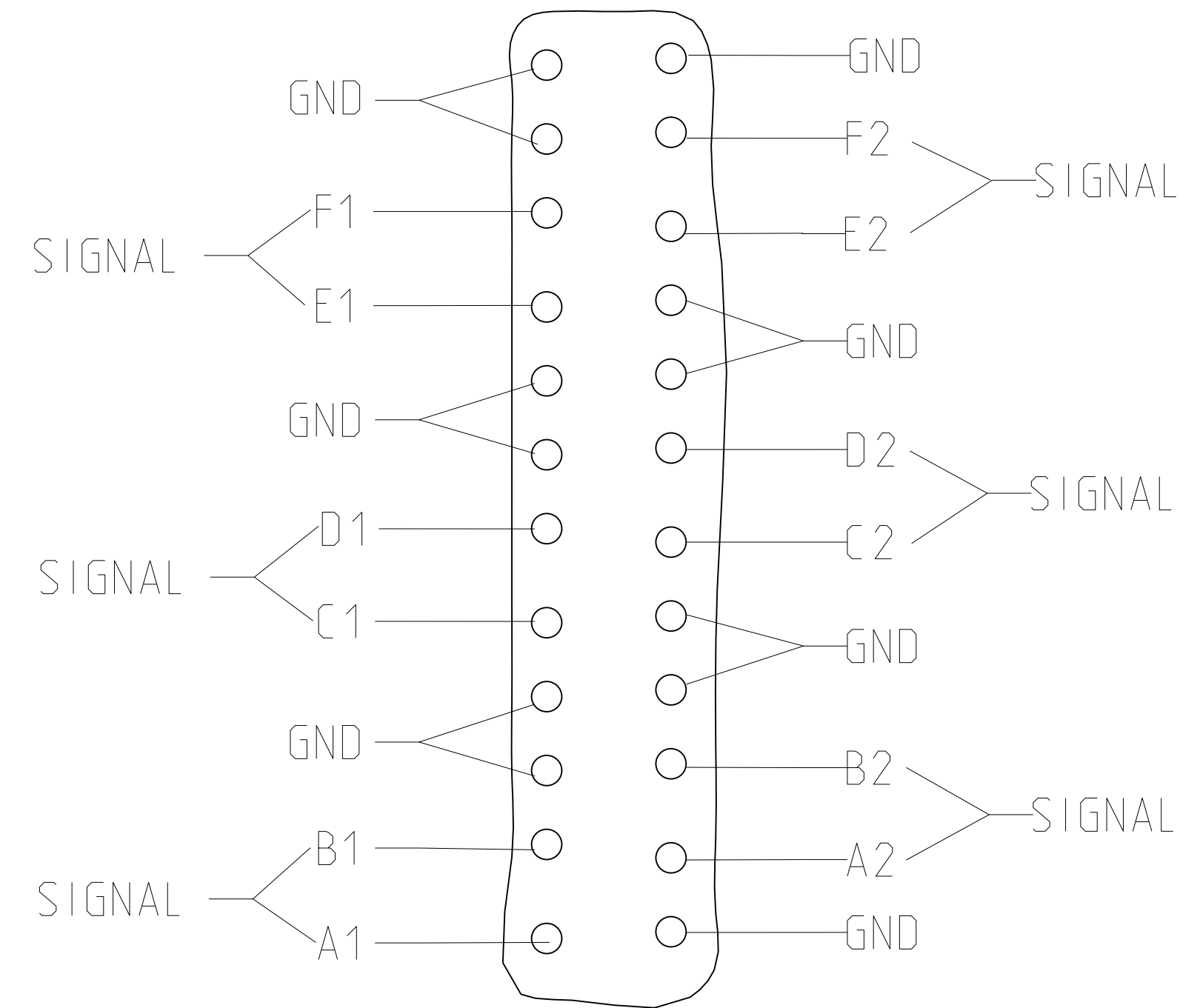


SEE DETAIL C & D
FOR PINOUTS

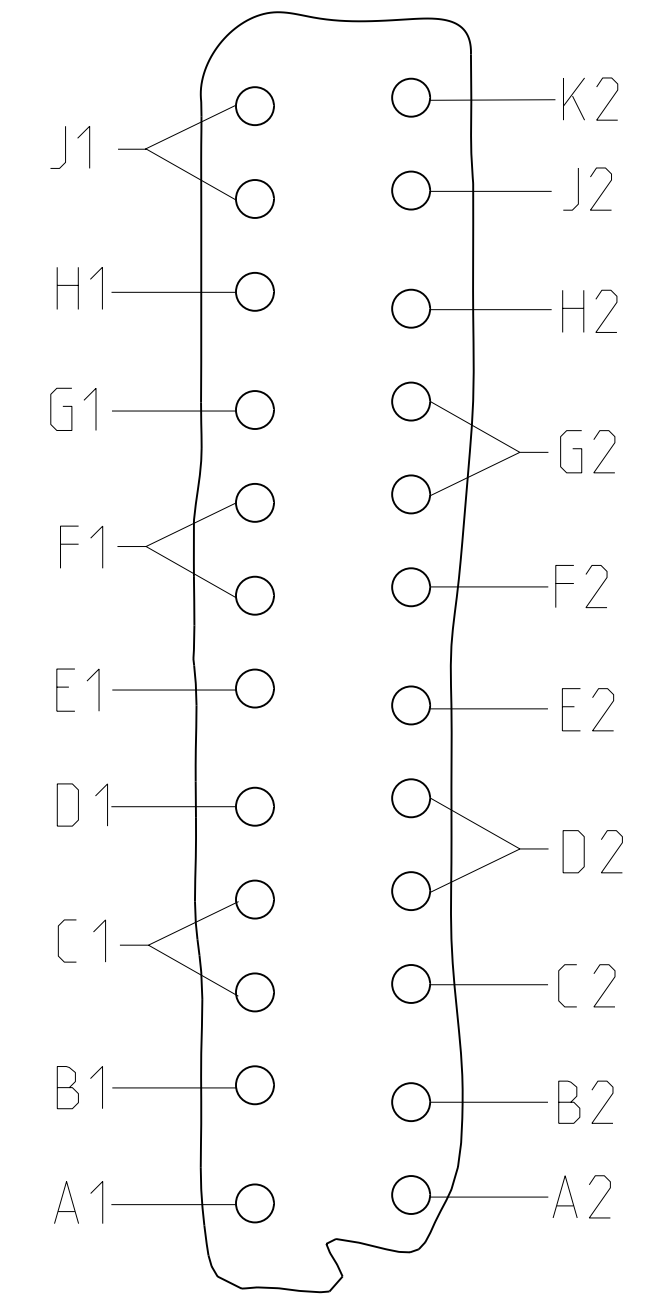
RIGHT ANGLE FEMALE
HIGH SPEED AND LOW SPEED DIFFERENTIAL
HOLE PATTERN FOR BOTH COMPLIANT PIN DRILL
($\varnothing 0.0225"$ AND $\varnothing 0.0177"$)
SCALE 10/1

CONNECTOR SIDE

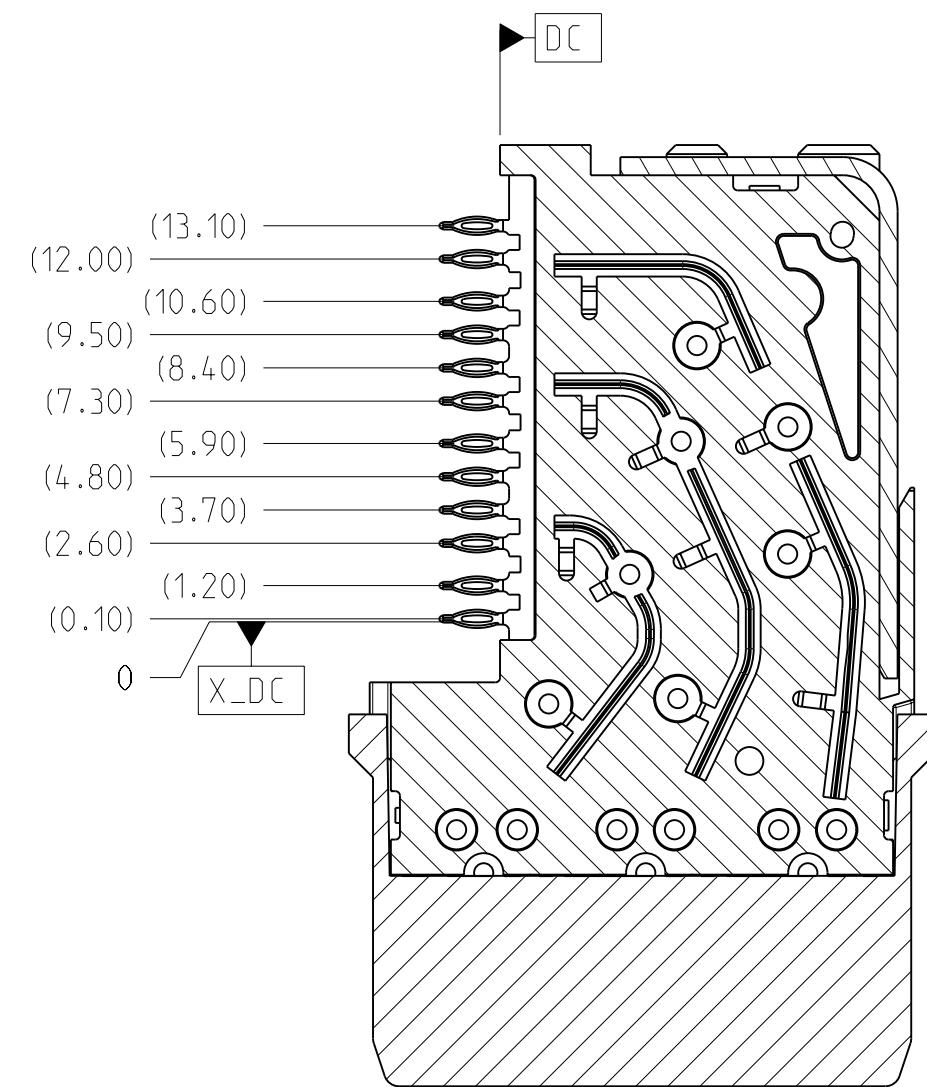
SEE TABLE 2
SHEET 1
TYP
 $\varnothing 0.10$ X_DC Y_DC



DETAIL C
SCALE 12/1
HIGH SPEED DIFFERENTIAL
PINOUTS



DETAIL D
SCALE 12/1
LOW SPEED DIFFERENTIAL
PINOUTS



SECTION A-A
WAFER "B"

TOLERANCES		DESIGN 07/03/2008 J.GIROUX	Amphenol TCS A Division of Amphenol Corporation 200 Innovative Way, Nashua, NH 03062 603.879.3000	TITLE RIGHT ANGLE FEMALE MODULE, 3PAIR, 6POS Xcde	PART NO. SEE TABLE 1	REV
0.0	± 0.25	DRAWN 07/03/2008 J.GIROUX				2
0.00	± 0.13	CHK 07/03/2008 T.COHEN				4.0
0.000	$\pm -$	APVD 07/03/2008 T.COHEN				
ANGLES $\pm 3^\circ$		UNLESS OTHERWISE SPECIFIED DIMENSIONS ARE IN MM. DECIMAL MARKER IS A PERIOD		DRAWING NO. C950-301A-500		REV 4.0
INTERPRET PER ASME Y14.5M CODE IDENT 31413		CUSTOMER USE DRAWING		Pro/E Type: Q1109-2ND-CONNECTOR3-6WAF 1.3 Pro/E DRAWING: C950-301A-500-DC3-6WAF 1.7		
				SIZE D	SCALE 4/1	SHEET 2 OF 2