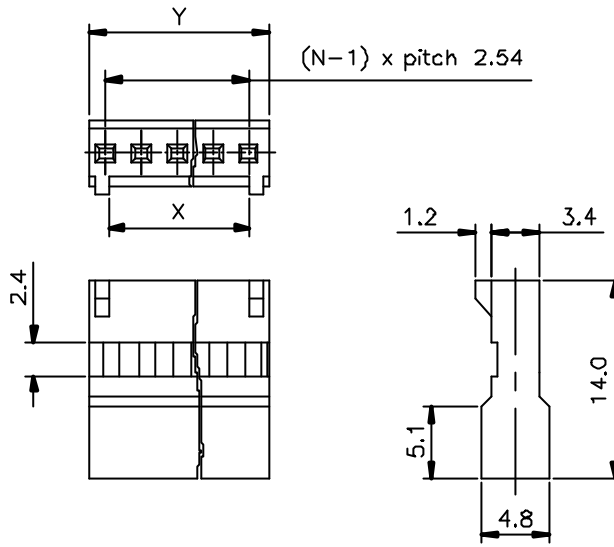


THIS DRAWING IS THE PROPERTY OF FRAMATOME CONNECTORS OEN LTD. IT MUST NOT BE REPRODUCED DISCLOSED TO ANY THIRD PARTIES OR USED FOR MANUFACTURING PURPOSES WITHOUT PERMISSION IN WRITING FROM M/S FC OEN LTD. KOCHI 682 314.

25	60.86	63.50
24	58.32	60.96
23	55.78	58.42
22	53.24	55.88
21	50.70	53.34
20	48.16	50.80
19	45.62	48.26
18	43.08	45.72
17	40.54	43.18
16	38.00	40.64
15	35.46	38.10
14	32.92	35.56
13	30.38	33.02
12	27.84	30.48
11	25.30	27.94
10	22.76	25.40
09	20.22	22.86
08	17.68	20.32
07	15.14	17.78
06	12.60	15.24
05	10.06	12.70
04	7.52	10.16
03	4.98	7.62
02	2.44	5.08

NO.OF POSN.	X	Y
-------------	---	---



8614 - 10 - XX - 1 - XO - 0

SERIES FEMALE NO.OF CONTACTS SINGLE ROW - 1

INSULATOR ONLY FOR CRIMP CTS.  
INSULATOR FOR CRIMP CTS. (SUPPLIED WITHOUT CTS.)

a	06/04/2000	FIRST ISSUE		
IND.	DATE	REVISION DESCRIPTION	CHD BY	APPD
ALL DIMENSIONS ARE IN MM DO NOT SCALE DRAWING GEN TOLERANCE LINEAR ±0.1 ANGULAR ±1°	TITLE		DRN	MINI.K.V
	FEMALE CRIMP INSULATOR		CHD	Elias.C.Thomas
	MATERIAL	REF.	APPD	P.S.JOHN
	INSULATOR: PBT BLACK.	8614	DATE	06/04/2000
SCALE	2:1	<b>FRAMATOME CONNECTORS OEN LTD.</b> <b>FCI INDIA</b>	DRG:NO:	a
			C-8614-0095	IND
			SHEET	1 OF 1

THIS DRAWING WHEN ISSUED THROUGH EDP, IT IS VALID WITHOUT SIGNATURE