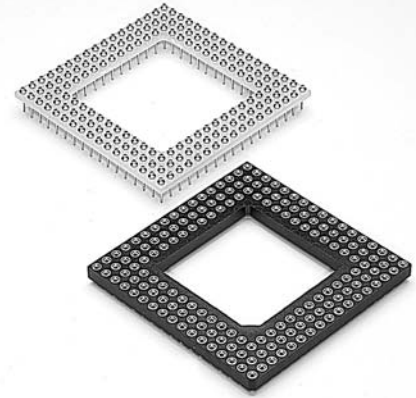
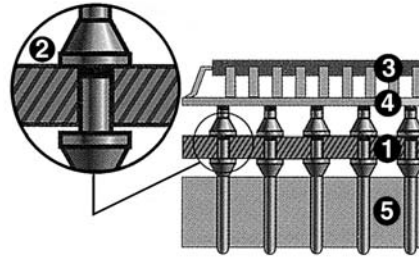


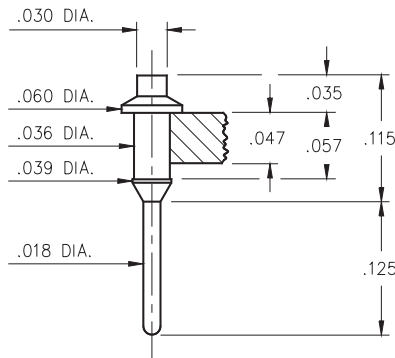
- Series 599 SMT PGA headers and Series 514 SMT PGA sockets are assembled with MM pin# 9976, and receptacle# 1434 respectively. Each floats vertically within the insulator to compensate for uneven solder paste on the PCB. Typical example illustrated.

- "Floating" pin SMT Headers using machined epoxy insulator.
- Detail of "Floating" pins which compensate for unevenly screened solder paste.
- PQFP device
- Translator board
- Existing motherboard



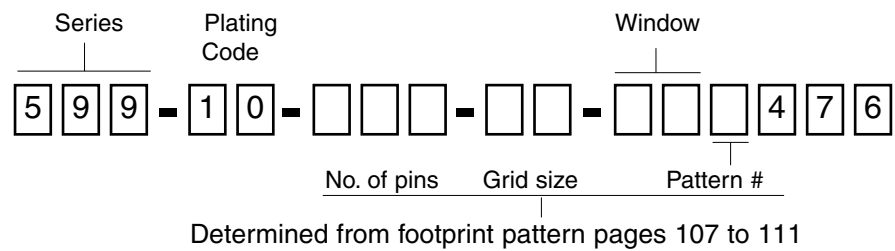
### Ordering Information

#### HEADER TYPE 9976



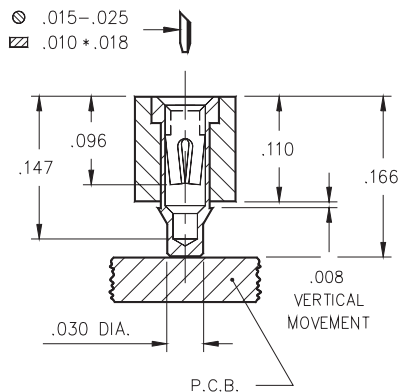
#### FOR PGA MALE PIN HEADER

1. Locate footprint pattern from pages 107 to 111, the middle 8 digits of the part number will be located under the pattern.



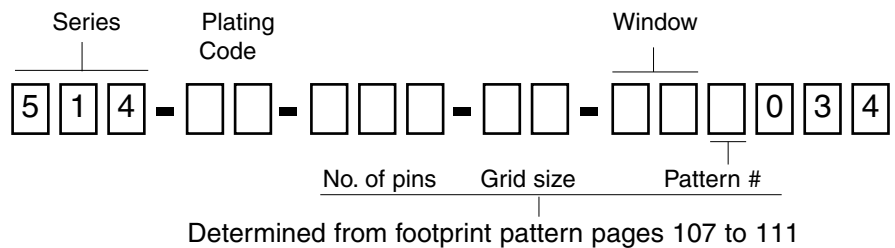
SPECIFY PLATING CODE XX=	<b>10</b>		
Pin Plating	10μ" Au		

#### SMT RECEPTACLE TYPE 1434



#### FOR PGA FEMALE SOCKET

- Specify 2-digit plating code from chart at bottom of page.
- Locate footprint pattern from pages 107 to 111, the middle 8 digits of the part number will be located under the pattern.



SPECIFY PLATING CODE XX=	<b>91</b>	<b>93</b>	
Sleeve (Pin)	200μ" Sn/Pb	200μ" Sn/Pb	
Contact (Clip)	10μ" Au	30μ" Au	