

SPECIFICATIONS

Mechanical

Contact Retention Force: 0.50kgf min.
 Mating force: 117gf max. per contact pair
 Unmating Force: 15.4gf min per contact pair
 Durability: 50 Cycles

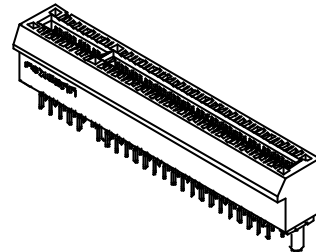
Electrical

Current Rating: 1.1A max.
 Contact Resistance: 30mW max. initial
 Dielectric Withstanding Voltage: 300V
 Insulation Resistance: 1000MW min.

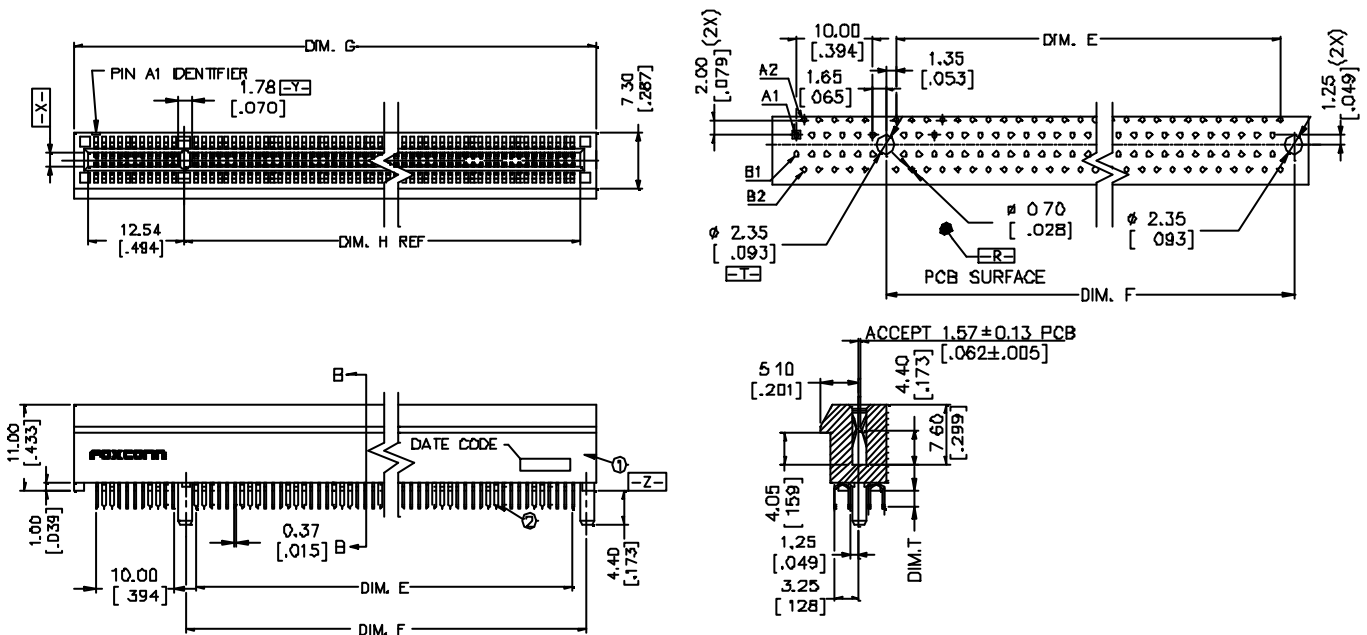
Physical

Housing: Thermoplastic, UL 94V-0 rated, in White Color
 Contact: Copper alloy
 Plating: See "ORDERING INFORMATION"
 Operating Temperature: -40 to +105

2EG Series
 Vertical Type
 1. 00mm [.039"] Pitch
 36 Pos. (1X)
 64 Pos. (4X)
 98 Pos. (8X)
 164 Pos. (16X)



DRAWING



ORDERING INFORMATION

PRODUCT NO.: 2 E G 0 * * * - D 2 W - * *

PCI-Express
 Vertical Type
 # Position
 1X 36 POS (1X)
 4X 64 POS (4X)
 8X 98 POS (8X)
 16X 164 POS (16X)
 Solder Tail Lead Length:
 1. 2.30 {FOR 1.57 THK PCB}
 2. 3.10 {FOR 2.36 THK PCB}

Plating Type
 DN: Tin/Lead
 DP: Lead Free
 Extension Code
 CONTACT AREA GOLD PLATING:
 1. 90L FLASH
 7. 15u" GOLD
 3. 30u" GOLD

2EG082**-02W-**	72.54	89.00	73.15	70.00	2.30	3.10
2EG049**-02W-**	39.54	56.00	40.15	37.00	2.30	3.10
2EG032**-02W-**	22.54	39.00	23.15	20.00	2.30	3.10
2EG018**-02W-**	8.54	25.00	9.15	6.00	2.30	3.10
P/N					1.57 PCB	2.36 PCB
	DIM. F	DIM. G	DIM. F	DIM. E	DIM. T	