

Table of Models

| | | |
|--|--|--|
| | <p>Description: Peel-A-Way® (KA) Material: Polyimide Film Index: -269°C to 400°C (-452°F to 752°F)</p> | |
| | <p>Description: Molded (RCA) Material: High Temp. Liquid Crystal Polymer (LCP) Index: -40°C to 260°C (-40°F to 500°F)</p> | |

RCA replaces HCA.

Features:

- Screw-machined terminals for long-term durability
- Mating sockets available
- Custom designs available

Specifications:

Terminals:

Brass - Copper Alloy
(C36000) ASTM-B-16

Plating:

G - Gold over Nickel
 M - Matte Tin over Nickel
 T - Tin/Lead over Nickel

Gold per MIL-G-45204
 Matte Tin per ASTM545-97
 Tin/Lead per MIL-P-81728
 Nickel per QQ-N-290

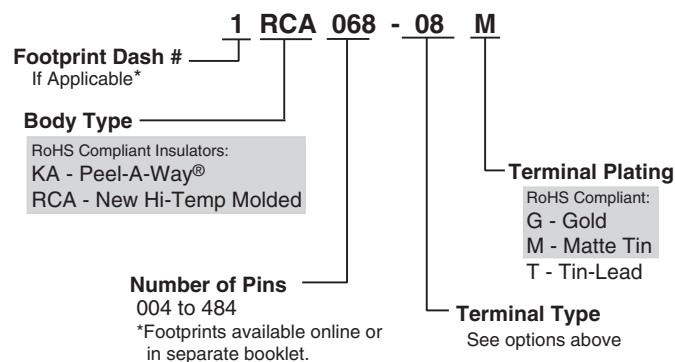
Available Online:

- Hundreds of footprints
- Extraction Tools
- RoHS Qualification Test Report

Standard Quick-Turn Terminals

| Type -79 | Type -80 | Type -81 | Type -08 |
|-------------------------|-------------------------|-------------------------|----------|
| <p>Peel-A-Way® only</p> | <p>Peel-A-Way® only</p> | <p>Peel-A-Way® only</p> | |
| Type -68 | Type -43 | Type -185 | Type -42 |
| | | | |

How To Order



Note: Quick-Turn delivery is not available on products with Matte Tin plating.

Products shown covered by patents issued and/or pending. Specifications subject to change without notice.

inch/(mm)



5 Energy Way, West Warwick, RI 02893 USA
 Tel: 800.424.9850 | 401.823.5200
 Fax: 401.823.8723
 info@advanced.com | www.advanced.com
 CAT16-PREVIEW06 Rev. 1/06