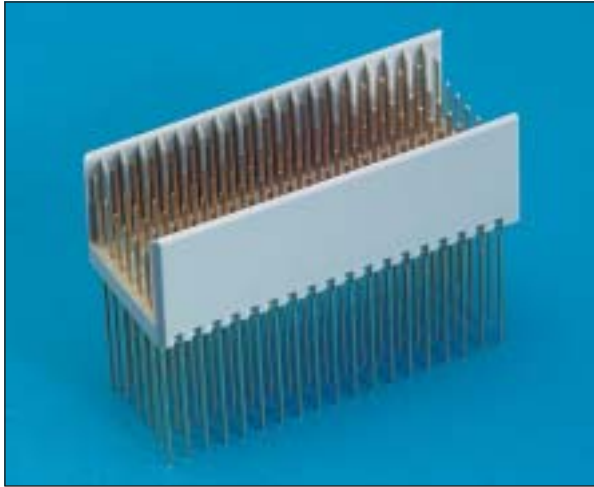


# P3 Type B Vertical Male Feed-Thru for Backplanes

## Series 8071



- 95 signal contacts and 38 ground shield contacts in 5+2 rows of 19 positions
- Designed for gas tight press-fit installation
- Fills position P3 of the CompactPCI specification
- Twelve different contact styles are available for customizing connector to exact specifications (see page 65)
- See page 50 for rear shroud part numbers

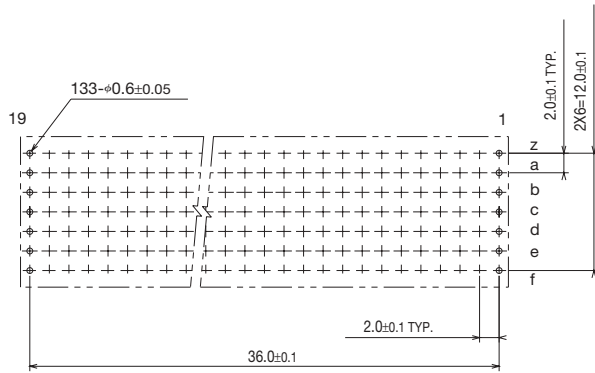
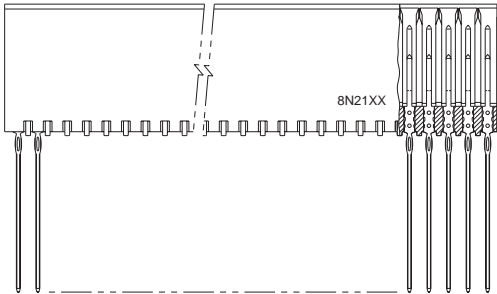
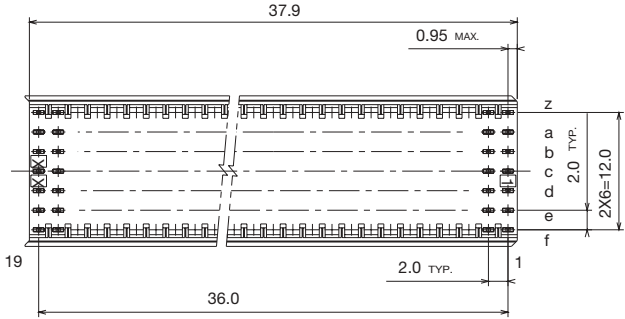
**17 8071 133 003 XXX** = P3 95 signal contacts and 38 ground contacts, Long Tail, L2,3 cPCI

**17 8071 133 004 XXX** = P3 95 signal contacts and 38 ground contacts, Long Tail, L1,3 cPCI

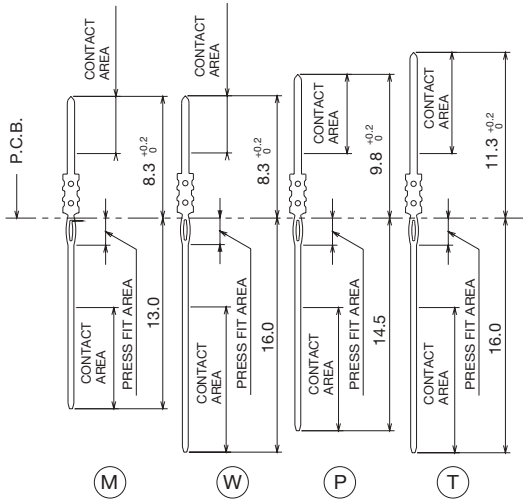
**17 8071 133 015 XXX** = P3 95 signal contacts and 38 ground contacts, Long Tail, L1,3 cPCI

XXX =

Plating Code	Contact Area	Press-fit Area	Under Coat
515	0.1µm min. Au.65µm Pd/Ni	1.5-3.0µm Solder	Nickel 1.2-3.0µm
517	0.76µm min. Au	1.5-3.0µm Solder	Nickel 1.2-3.0µm



RECOMMENDED P.C. BOARD LAYOUT  
(COMPONENT SIDE)



CONTACT DETAIL

# P3 Type B Vertical Male Feed-Thru for Backplanes



Series 8071

Variation Code	Side View	Pin Loading
<p>003</p> <p>Long Tail, Std.</p> <p>L2, 3</p> <p>P3</p>		
<p>004</p> <p>Long Tail, Std.</p> <p>L1, 3</p> <p>P3</p>		
<p>015</p> <p>Long Tail, Std.</p> <p>L1, 3</p> <p>P3</p>		