

## FEATURES AND SPECIFICATIONS

### Features and Benefits

- Crimp equivalent of 70156
- Wire range 14 to 20 AWG and 18 to 22 AWG available
- Wire-to-board and wire-to-wire connector system
- Crimp version
- Wire connectors have end grips for easy unmating
- Detents provide firm positive fit

### Reference Information

Product Specification: PS-8981-4M/4P  
 Packaging: Terminal—Reel  
 Housing—Bag  
 UL File No.: E29179  
 CSA File No.: LR19980A  
 Mates With: 8981 4M/4V/4SM/4R  
 Designed In: Inches

### Electrical

Voltage: 250V AC  
 Current:

AWG	14	16	18	22
Amperes	10.0	10.0	8.0	6.0

Contact Resistance: 25mΩ max.  
 Dielectric Withstanding Voltage: 250V AC  
 Insulation Resistance: 1000 MΩ min.

### Mechanical

Contact Retention to Housing: 44.13N (9.92 lb) min.  
 Mating Force: 98.07N (22.05 lb) max.  
 Unmating Force: 24.52N (5.51 lb) min.  
 Durability: 50 cycles

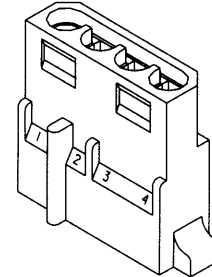
### Physical

Housing: Natural nylon, UL 94V-0  
 Contact: Phosphor Bronze or Brass (See Table)  
 Plating: Tin over Copper  
 Operating Temperature: -10 to +85°C

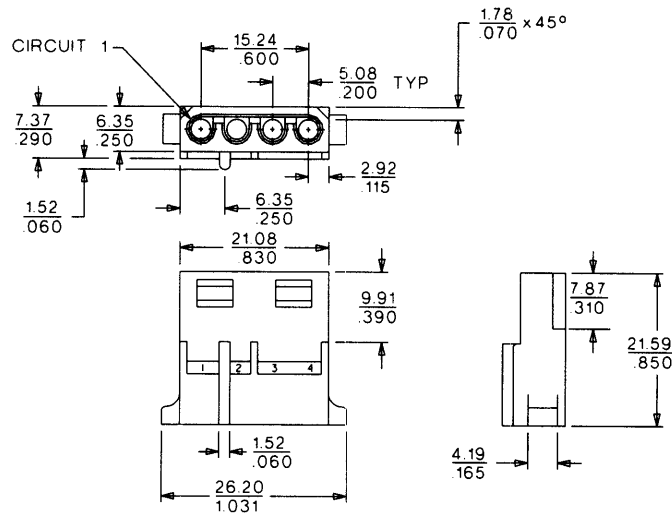


# 5.08mm (.200") Pitch Disk Drive Power Connection System Crimp Terminal and Housing

## 8981



## CATALOG DRAWING (FOR REFERENCE ONLY)



## ORDERING INFORMATION AND DIMENSIONS

Housing Order No.
15-24-4048

Terminal			
Order No.	Packaging	Contact	Wire Gauge
02-08-1201	Chain	Phosphor Bronze	14-20 AWG
02-08-1202	Loose	Phosphor Bronze	14-20 AWG
02-08-1215	Chain	Brass	14-20 AWG
02-08-1216	Loose	Brass	14-20 AWG