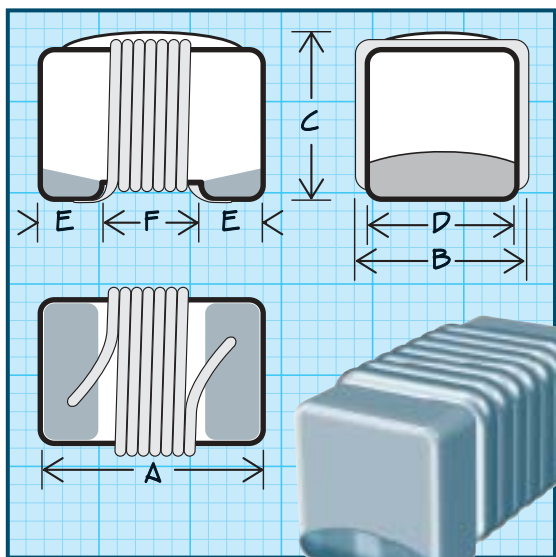


Series 0805 Open Construction Wirewound Surface Mount Inductors



Physical Parameters

	Inches	Milimeters
A	0.086 Max.	2.18 Max.
B	0.068 Max.	1.73 Max.
C	0.053 Max.	1.35 Max.
D	0.050 (Ref. only)	1.27 (Ref. only)
E	0.020 (Ref. only)	0.50 (Ref. only)
F	0.040 (Ref. only)	1.03 (Ref. only)

Operating Temperature Range -40°C to +125°C

Standard Termination 90/10 Solder plating;
Optional Gold Termination is available specify by
suffixing the part number with the letter G

Inductance and Q tested on HP4291A using
HP16193A test fixture

Packaging Tape & reel (8mm): 7" reel,
3000 pieces max. Custom reel available.

PART NUMBER	SERIES 0805 CERAMIC CORE						
	INDUCTANCE (nH) ±10%	INDUCTANCE TEST FREQUENCY (MHz)	Q MINIMUM	Q TEST FREQUENCY (MHz)	SRF MINIMUM (MHz)	DC RESISTANCE MAXIMUM (OHMS)	CURRENT RATING MAXIMUM (mA)
0805-2N2K	2.2	250	50	1500	6000	0.07	600
0805-3N3K	3.3	250	40	1500	6000	0.12	600
0805-6N8K	6.8	250	55	1000	5500	0.10	600
0805-8N2K	8.2	250	52	1000	4700	0.14	600
0805-12N2K	12	250	50	500	4000	0.13	600
0805-15N2K	15	250	52	500	3400	0.15	600
0805-18N2K	18	250	56	500	3300	0.19	600
0805-22N2K	22	250	58	500	2600	0.15	600
0805-27N2K	27	250	58	500	2500	0.22	500
0805-33N2K	33	250	62	500	2050	0.22	500
0805-39N2K	39	250	62	500	2000	0.25	500
0805-47N2K	47	200	60	500	1650	0.28	500
0805-56N2K	56	200	62	500	1550	0.30	500
0805-68N2K	68	200	62	500	1450	0.36	500
0805-82N2K	82	150	62	500	1300	0.38	400
0805-101K	100	150	60	500	1200	0.40	400
0805-121K	120	150	50	250	1100	0.45	400
0805-151K	150	100	50	250	920	0.55	400
0805-181K	180	100	48	250	890	0.64	400
0805-221K	220	100	50	250	850	0.80	400
0805-271K	270	100	48	250	800	1.05	340
0805-331K	330	100	48	250	790	1.53	300
0805-391K	390	100	48	250	750	1.70	270
0805-471K	470	50	30	100	380	1.75	250
0805-561K	560	25	26	50	340	1.90	230
0805-681K	680	25	24	50	260	2.10	230
0805-821K	820	25	20	50	220	2.15	230
0805-911K	910	25	18	50	160	2.25	190
0805-102K	1000	7.9	18	50	140	2.35	180
0805-122K	1200	7.9	18	25	120	2.35	180
0805-152K	1500	7.9	16	25	100	2.40	170
0805-182K	1800	7.9	16	7.9	80	2.50	170
0805-222K	2200	7.9	16	7.9	60	2.70	160
0805-272K	2700	7.9	16	7.9	50	2.95	150

Optional Tolerances: 8.2nH & Lower J = 5%

All Other Values: J = 5% H = 3% G = 2%