

## FEATURES AND SPECIFICATIONS

### Features and Benefits

- Standard mating with .025" square or round pins
- Compatible with single, dual and triple row carrier
- Accommodates micro coaxial, micro twisted pair and micro twin axial cable constructions
- Standard cable impedance from 50 to 150Ω
- Designed for system speeds up to 800 MHz, including matched application requirements for controlled impedance and propagation rate while minimizing crosstalk
- High strength molded terminations and dual beam box contacts resistance welded to the conductors for the ultimate in electrical performance

### Electrical

Current: 1.0A per contact cont.  
 Contact Resistance: 10mΩ max.  
 Dielectric Withstanding Voltage: 500V RMS min. @ 60 Hz  
 Insulation Resistance: 1 x 10<sup>9</sup>Ω @ 500V DC

### Mechanical

Insertion Force: 10 oz max. per contact  
 Withdrawal Force: 1oz min. per contact  
 Normal Force: 100g min.

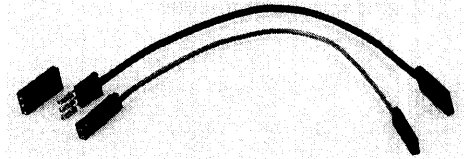
### Physical

Contact: Phosphor Bronze  
 Dielectric Material: Glass-filled liquid crystal polymer, UL 94V-0  
 Contact: 30μ" min. Gold plate in select area over 50μ" min. Nickel plate overall  
 Mating Pin Lengths: .180" min.; .340" max.  
 Operating Temperature: -40 to +105°C



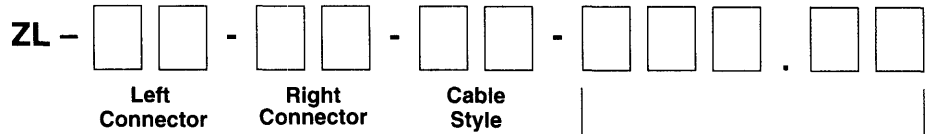
## 2.54mm (.100") Pitch Z-Zone™ Electrically Characterized Cable Assemblies

## 2 and 3 Position Socket Assemblies



## Ordering Information

Part Number specification - Fill in the part number from the information on the charts below

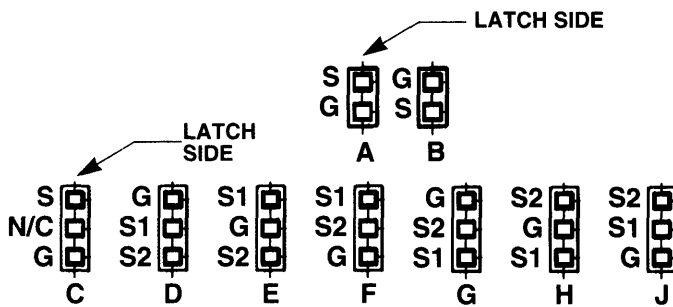


Assembly Length in inches  
(From mating face to mating face)

### Standard Length Tolerance

Under 36"	±	0.5"
36"-120"	±	1.0"
over 120"	±	2.0"

### PINOUTS



For additional pinouts, contact the Molex High Performance Cable Assembly Group

## ORDERING INFORMATION

Connector		
Order No.	Description	Pinout
00	No Termination	
01	.100 by 100", 1 by 2 axial	A
02	.100 by 100", 1 by 2 axial	B
03	.100 by 100", 1 by 3 axial	C
04	.100 by 100", 1 by 3 axial	D
05	.100 by 100", 1 by 3 axial	E
06	.100 by 100", 1 by 3 axial	F
07	.100 by 100", 1 by 3 axial	G
08	.100 by 100", 1 by 3 axial	H
09	.100 by 100", 1 by 3 axial	J
XX	Special Application	

Cable Style			
Order No.	Description	Characteristic Impedance ± 10%	Material
02	Coaxial	50Ω	Conductor: Silver plated Copper Dielectric Insulator: Expanded PTFE Shield: Aluminum/Mylar Jacket: FEP
04	Coaxial	75Ω	
05	Twin-Axial	100Ω	
06	Twisted Pair	100Ω	
01	Coaxial	50Ω	Conductor: Silver plated Copper Dielectric Insulator: Expanded PTFE Shield: Braided Jacket: FEP
03	Coaxial	75Ω	
XX	Special Application		