

SPECIFICATIONS

Mechanical

Mating Force: 4.50Kg (9.91Lb) max.
Unmating Force: 0.90~2.70Kg (1.98~5.95Lb)
Durability: 500 Cycles

Electrical

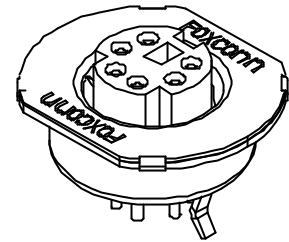
Voltage Rating: 30V
Current Rating: 1A
Contact Resistance: 30mW max.
Dielectric Withstanding Voltage: 750V AC/1min min.
Insulation Resistance: 1000MW min.

Physical

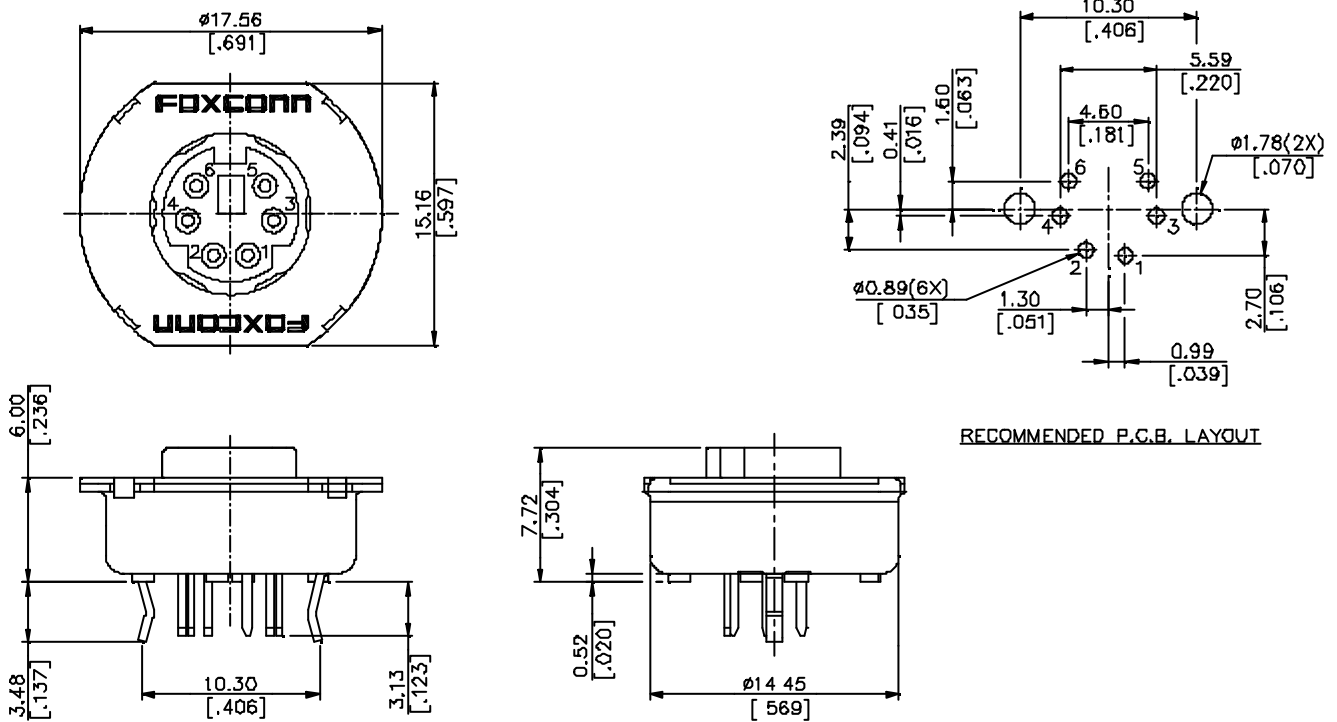
Housing: Thermoplastic, UL 94V-0 rated
Contact & Shell: Copper alloy
Plating: See "ORDERING INFORMATION"
Operating Temperature: -55 to +85

Mini Din Connector

MH Series
Single, Vertical, T/H, PC99
6 Pos.



DRAWING



ORDERING INFORMATION

PRODUCT NO.: MH 0 1 0 6 * - S 1 - A F

- Mini Din Series ————— MH
- Terminator Type ————— 0
0=Vertical Through Hole Type
- Contact Design Type ————— 1
1=Female
- Body Type ————— 0
0=Standard
- Lead Free Code ————— *
- Packing Code ————— S
- Modify Code ————— 1
- Contact Area Plating ————— 1
1= Gold Flash
3= 30u" Gold
7=15u" Gold
- No. of Pos. ————— 6
6=6 Pos.