

CIRCULAR MINI-DINS MDN SERIES

SPECIFICATIONS

For complete specifications and recommended PCB layouts see www.samtec.com?MDN

Insulator Material:

High Temperature Thermoplastic

Contact Material:

Phosphor Bronze

Shell Material:

Brass

Plating:

Gold on Contacts, Nickel on Shell, Tin on Tails

Operating Temp Range:

-65°C to +105°C

Current Rating:

1 A per contact

Voltage Rating:

30 VAC

Contact Resistance:

30 mΩ max

Minimum Cycles:

500

Packaging:

Packaged and shipped in Bulk Packaging Trays; Trays suitable for automation are available upon request.

RoHS Compliant:

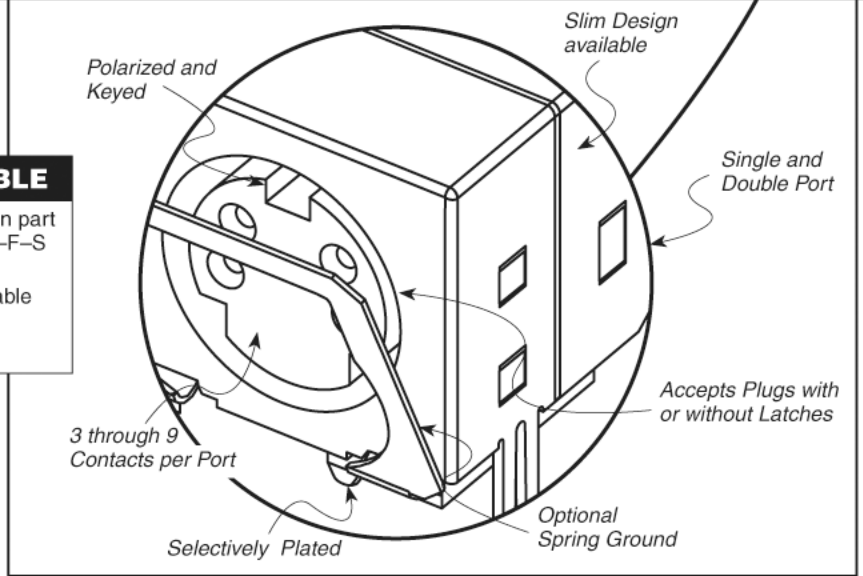
Yes

Lead-Free Solderable:

No

ALSO AVAILABLE

- 7 pin GeoPort Mini-Din part number: MDN-S-G7-F-S for ordering
- Other Positions Available with Spring Grounds Call Samtec.



MDN	NO. OF PORTS	CONTACTS PER PORT	PLATING	SHIELD OPTION	OPTION	COLOR
	-S = Single -D = Double (-04, -06, -08 and Shielded (-S) Only)	-03 thru -09	-F = Gold Flash on Mating Area, Tin on Tails	(Leave Blank for Non-Shielded) -S = Full Shielded	(Leave Blank for Standard) -SD = Slim Design (Single Port -04 or -06 Shielded Only) -SG = Spring Ground (-04 and -06 Only; N/A with -SD or -D)	(Leave blank for black) -P = Purple (-06 Shielded Only; N/A with -D & -SD) -G = Green (-06 Shielded Only; N/A with -D & -SD)

Due to technical progress, all designs, specifications and components are subject to change without notice.

WWW.SAMTEC.COM