
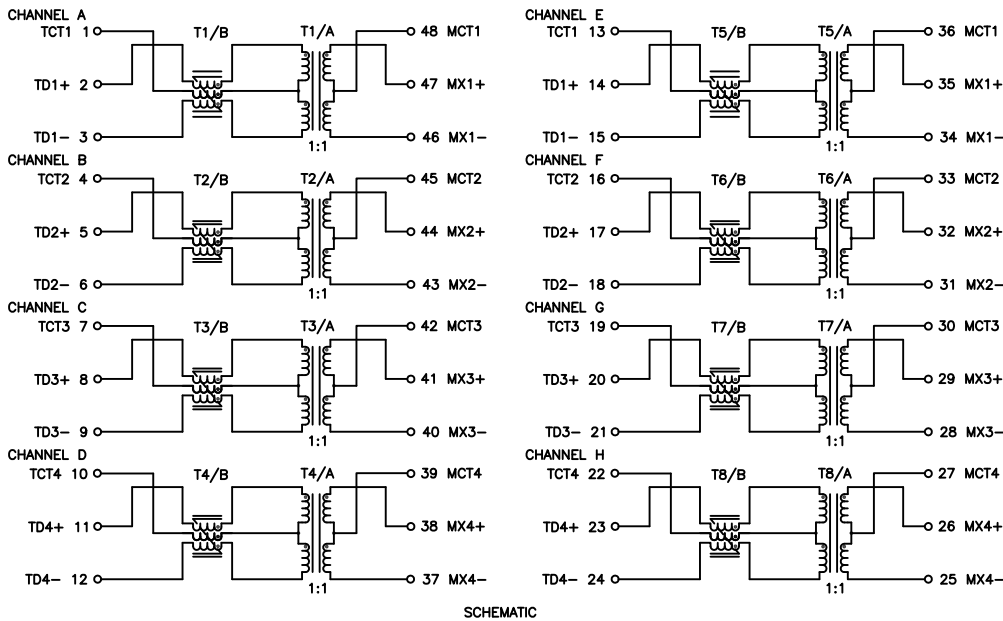


NOTES: UNLESS OTHERWISE SPECIFIED

1.

| | |
|---------|--|
| NOTICE: | THIS IS A RoHS COMPLIANT COMPONENT/PRODUCT. ALL ENGINEERING CHANGES MUST HAVE PRIOR APPROVAL BY THE DESIGN CENTER. |
| RoHS |  |

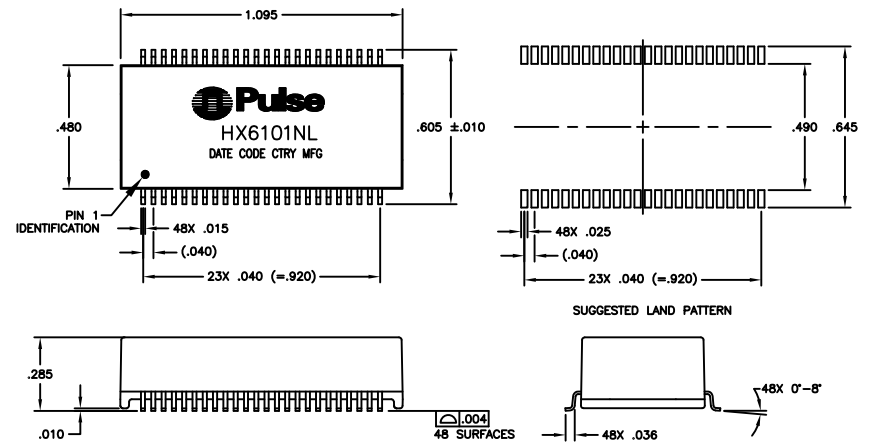
2. HEADER: THERMOSET MATERIAL WITH FLAMMABILITY RATING UL 94V-0 OR BETTER.
3. PCB CONTACTS SOLDER AREA: SN100C TIN PLATING.
4. SOLDERABILITY: CONFORMS TO ANSI/J-STD-002, IPC/EIA J-STD-003A.
5. OPERATING TEMPERATURE: -40°C TO +85°C
6. STORAGE TEMPERATURE: -50°C TO +125°C
7. JEDEC MOISTURE: LEVEL 1.
8. REVISION: MX1, MX2, ARE PRELIMINARY.



ELECTRICAL CHARACTERISTICS AT +25°C UNLESS OTHERWISE SPECIFIED (FOR REFERENCE ONLY. USED FOR CUSTOMER INFORMATION.)

| PARAMETER | SPECIFICATIONS | |
|--|-------------------------------------|--|
| OPERATING TEMP | -40°C TO +85°C | |
| TURNS RATIO | 1 : 1 ±3% | |
| POLARITY | PER SCHEMATIC | |
| INSERTION LOSS | 100 KHz | 1-125 MHz |
| | -1.2 dB MAX | -0.2-0.002*f ^{1.4} dB MAX |
| RETURN LOSS (Z OUT = 100 OHM ±15%) | 1-40 MHz | 40-100 MHz |
| | -16 dB MIN | -10+20*LOG ₁₀ (f/80 MHz) dB MIN |
| INDUCTANCE (OCL) (MEDIA SIDE, -40°C TO +85°C) | 350 uH MIN | (MEASURED AT 100 KHz, 100 mVRMS) WITH 8 mA DC BIAS |
| | 120 uH MIN | (MEASURED AT 100 KHz, 100 mVRMS) WITH 19 mA DC BIAS |
| CROSSTALK, ADJACENT CHANNELS | 1 MHz | 10-100 MHz |
| | -50 dB MIN | -55+22*LOG ₁₀ (f/10) dB MIN |
| COMMON MODE REJECTION RATIO | 2 MHz | 30-200 MHz |
| | -50 dB MIN | -15+20*LOG ₁₀ (f/200) dB MIN |
| DC RESISTANCE, 1/2 WINDING | .30 OHMS TYP. | |
| DC RESISTANCE BALANCE | ±.05 OHMS MAX (CENTER TAP SYMMETRY) | |
| INPUT - OUTPUT ISOLATION | 1500 VRMS MIN @ 60 SECONDS | |

NOTE: f IS FREQUENCY IN MHZ.



© Copyright, 2010. Pulse Engineering, Inc. All rights reserved. Drawing specifications subject to change without notice. (10/12/10)

| | | | | | |
|--|------------------------|---------------|--------|--------------------|------|
| PULSE CONFIDENTIAL & PROPRIETARY | PRODUCT DESCRIPTION | PS DRAWING | SHEET: | DWG. NO./ PART NO. | REV. |
| | MDL,DUAL,1GP,1:1,SM,TU | PS-2007.001-C | 1 | HX6101NL | MX1 |