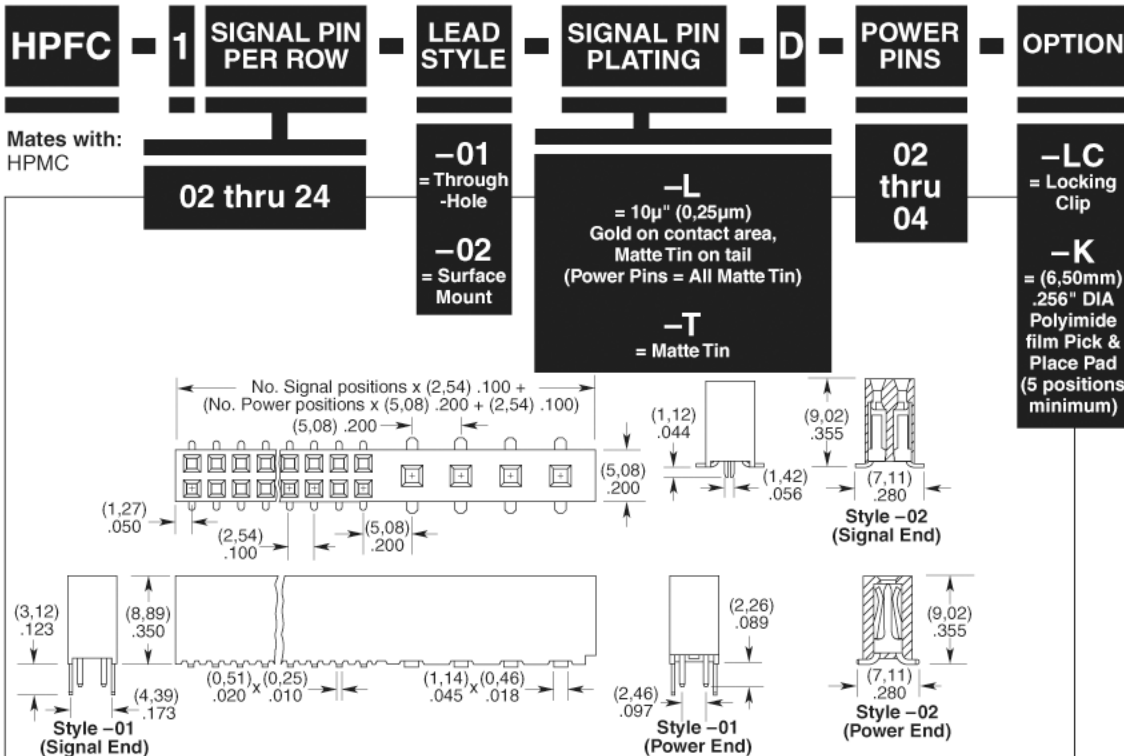


POWER/.100" SIGNAL COMBO HPFC, HPMC

SPECIFICATIONS

For complete specifications and recommended PCB layouts see www.samtec.com?HPFC or www.samtec.com?HPMC

Insulator Material: Black Liquid Crystal Polymer
Signal Contact (HPFC): Phosphor Bronze
Power Contact (HPFC): BeCu
Terminal (HPMC): Phosphor Bronze (Signal & Power)
Plating: Sn or Au over 50µ" (1,27µm) Ni on signal pins; Sn over 50µ" (1,27µm) Ni on power pins
Operating Temp Range: -55°C to +105°C with Tin; -55°C to +125°C with Gold
Contact Resistance: 10 mΩ max
Insertion Depth: (3,68mm) .145" to (8,26mm) .325"
Insertion Force: (Single contact only) 5oz (1,39N) avg (signal pins) 56oz (15,57N) avg (power pins)
Withdrawal Force: (Single contact only) 3oz (0,83N) avg (signal pins) 52oz (14,46N) avg (power pins)
Voltage Rating: 850 VAC
RoHS Compliant: Yes



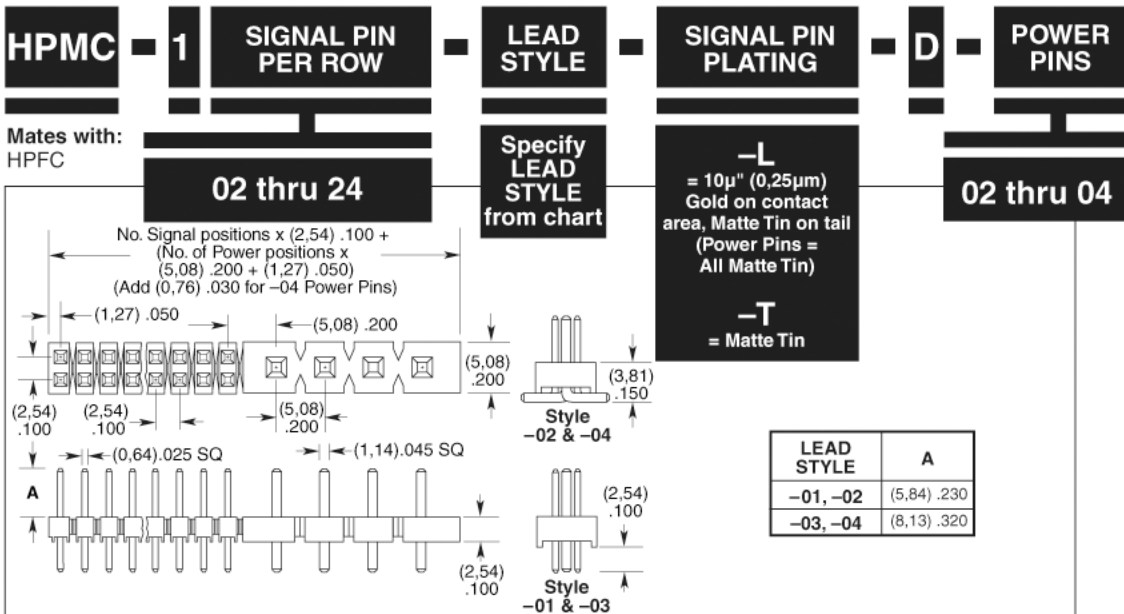
CURRENT RATING	
AMBIENT TEMP	HPMC/HPFC
20°C	13.0A
40°C	11.5A
60°C	8.5A
75°C	7.0A

4 POWER PINS POWERED

Processing:
Max Processing Temp: 230°C for 60 seconds, or 260°C for 20 seconds 3x
Lead-Free Solderable: Yes
SMT Lead Coplanarity: (0,15mm) .006" max (02-20) (0,20mm) .008" max (21-24)

ALSO AVAILABLE
 2mm Combination Power/Signal.
 Call Samtec.

Note: Some lengths, styles and options are non-standard, non-returnable.



Due to technical progress, all designs, specifications and components are subject to change without notice.

WWW.SAMTEC.COM