

MICROPROCESSOR CRYSTALS CERAMIC SURFACE MOUNT MINIATURE ABMC2

FEATURES:

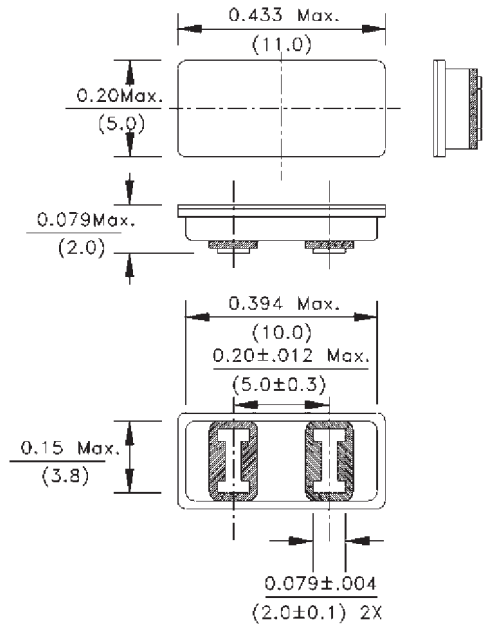
- 2.0 mm height.
- Resistance Weld.
- Low frequency in true SMD package.
- High reliability; AT Strip Cut for high-precision.
- Extended temperature available.

APPLICATIONS:

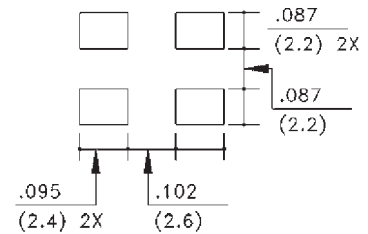
- PCMCIA applications.
- Microprocessors.
- Communication equipment, networking, and thin equipment.

STANDARD SPECIFICATIONS

Frequency Range	3.579545 MHz - 70 MHz
Operation Mode	3.579545 MHz ~ 27 MHz (Fundamental) 27.0 MHz ~ 41.0 MHz (Fund. BT or AT) 27.01 MHz ~ 70 MHz (3rd overtone)
Operating Temperature	-10°C to +60°C (See Options)
Storage Temperature	-40°C to +85°C
Frequency Tolerance @ 25°C	± 50 ppm max. (See Options)
Frequency Stability over Temp.	± 100 ppm max. (See Options)
Equivalent Series Resistance (ESR)	200 Ω max. for F ~ 3.579545 MHz - 3.999 MHz 150 Ω max. for F ~ 4.0 MHz - 4.999 MHz 120 Ω max. for F ~ 5.0MHz - 5.999 MHz 100 Ω max. for F ~ 6.0 MHz - 6.999 MHz 80 Ω max. for F ~ 7.0 MHz - 8.999 MHz 60 Ω max. for F ~ 9.0 MHz - 11.999 MHz 50 Ω max. for F ~ 12.00 MHz - 19.999 MHz 40 Ω max. for F ~ 20.00 MHz - 27.00 MHz
AT Fundamental	
AT or BT Fundamental	40 Ω max. for F ~ 27.00 MHz - 41.000 MHz
3rd Overtone	100 Ω max. for F ~ 27.01 MHz - 70.000 MHz
Shunt Capacitance C ₀	7 pF max.
Load Capacitance C _L	18 pF (See Options)
Drive Level	100 μW max.
Aging @ 25°C per Year	± 5 ppm max.
Insulation Resistance	500 M Ω min. at 100 Vdc ± 15V



RECOMMENDED LAND PATTERN



Dimensions: Inches (mm)

Please see environmental, and mechanical specifications on page 68, Group 2.
Marking, see page 76. Tape and Reel, see pages 74-75 (1,000 pcs/reel).

ORDERING OPTIONS

ABMC2 - Frequency - CL - ESR - Temperature - Tolerance - Stability - Mode - Packaging

