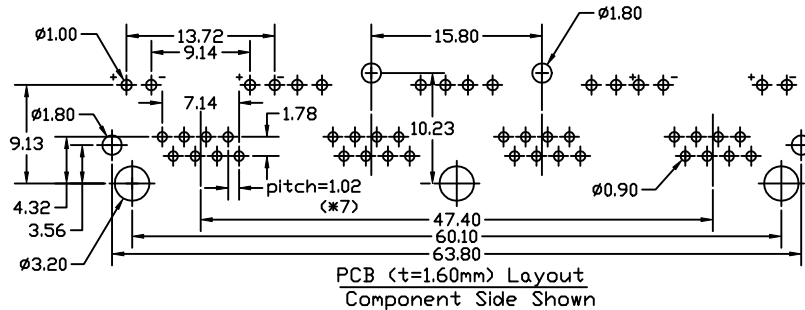
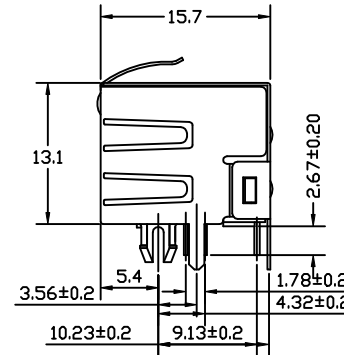
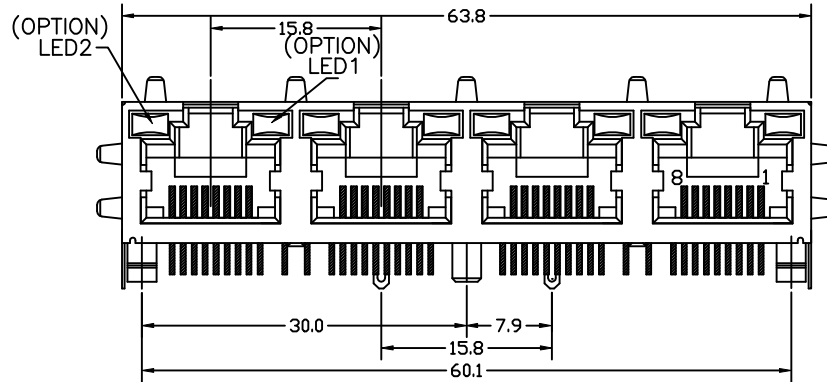


REVISION RECORD				
REV	ECD	DESCRIPTION	DRFT	CHKD
△		DRAWING MODIFY	YANGLAN	07/07/05



**NOTES:**

**ELECTRICAL:**

- VOLTAGE RATING : 125 VAC RMS.
- CURRENT RATING : 1.5 AMP.
- CONTACT RESISTANCE : 30 MILLIOHMS MAX.
- INSULATION RESISTANCE: 1000 MEGOHMS MIN @ 500 VDC.
- DIELECTRIC STRENGTH : 1000 VAC RMS 60Hz, 1MIN.
- LED RATINGS: FORWARD VOLTAGE: 2.2 VOLTS TYPICAL.  
REVERSE VOLTAGE: 5 VOLTS MAXIMUM.
- OPERATING: 750 CYCLES MIN.

FOR PART NUMBER: E 5J 8 8 - X X C X X X-L

- 1-LED1: GREEN ,LED2: YELLOW .
- 2-LED1: GREEN ,LED2: GREEN .
- 3-LED1: YELLOW,LED2: GREEN .
- 7-LED1: YELLOW,LED2: YELLOW.
- E-LED1: GREEN,LED2: RED.

PLATING: 1-3u" 2-6u"  
3-15u" 4-30u" 5-50u"

- C-"LED TYPE" TIN LEAD SHIELD STAMPED PIN.
- D-"LED TYPE" NI LEAD SHIELD STAMPED PIN.
- J-"LED TYPE" NI LEAD SHIELD ROUND PIN.
- K-"LED TYPE" TIN LEAD SHIELD ROUND PIN.

- 0-W/O LOGO PBT+30%
- 1-NO TAB
- 2-TOP TABS.
- 3-SIDE TABS.
- 4-TOP TABS & SIDE TABS.

**MECHANICAL:**

- HOUSING MATERIAL : PBT+30%GF UL94V-0. COLOR-BLACK.
- INSERT MATERIAL : PBT+30%GF UL94V-0. COLOR-BLACK.
- BACK PLATE MATERIAL : PBT+30%GF. COLOR-BLACK.
- LED SIZE : 3.1\*1.9\*4.1\*P=2.54mm. △
- SHIELD MATERIAL : COPPER ALLOY 0.25mm THICKNESS PLATING NI.
- CONTACT MATERIAL : PHOSPHOR BRONZE 0.35mm THICKNESS OR ø0.46mm.
- PLATING : GOLD PLATING OVER NICKEL.
- PCB RETENTION PRE-SOLDER : 1 LB MIN.
- PCB RETENTION POST-SOLDER: 10 LBS MIN.

**ENVIRONMENTAL:**

- STORAGE : -40°C TO +85°C.
  - OPERATION: 0°C TO 70°C.
  - WAVE SOLDERING TEMPERATURE: 230~250°C(3~5 SECONDS)
- MATES WITH MODULAR PLUG CONFORMING TO  
FCC PART 68, SUBPART F.  
CUL FILE NO. E163191

MM (INCH)		DFTD PETERS	DATE 03/24/05	FULL RISE ELECTRONIC CO., LTD	
TOLERANCES EXCEPT AS NOTED		CHKDJAKE	DATE 2005/07/07		
MM		MFD	DATE	TITLE	
.0 ± 0.20	±	APPVLLUSHENG	DATE 2005/07/07	RJ45 SIDE ENTRY LED GANG JACK 4 PORTS	
.00 ± 0.15	±	MATERIAL :		DRAWING NO. GE5J3A05-LC	SIZE REV
.000 ± 0.075	±	ANGLES ±		/PART NO. SEE NOTE	A3 1
THIRD ANGLE PROJECTION		QT'Y :		DO NOT SCALE DRAWING	
		FINISH:		SHEET 1 OF 1	
		SCALE :			