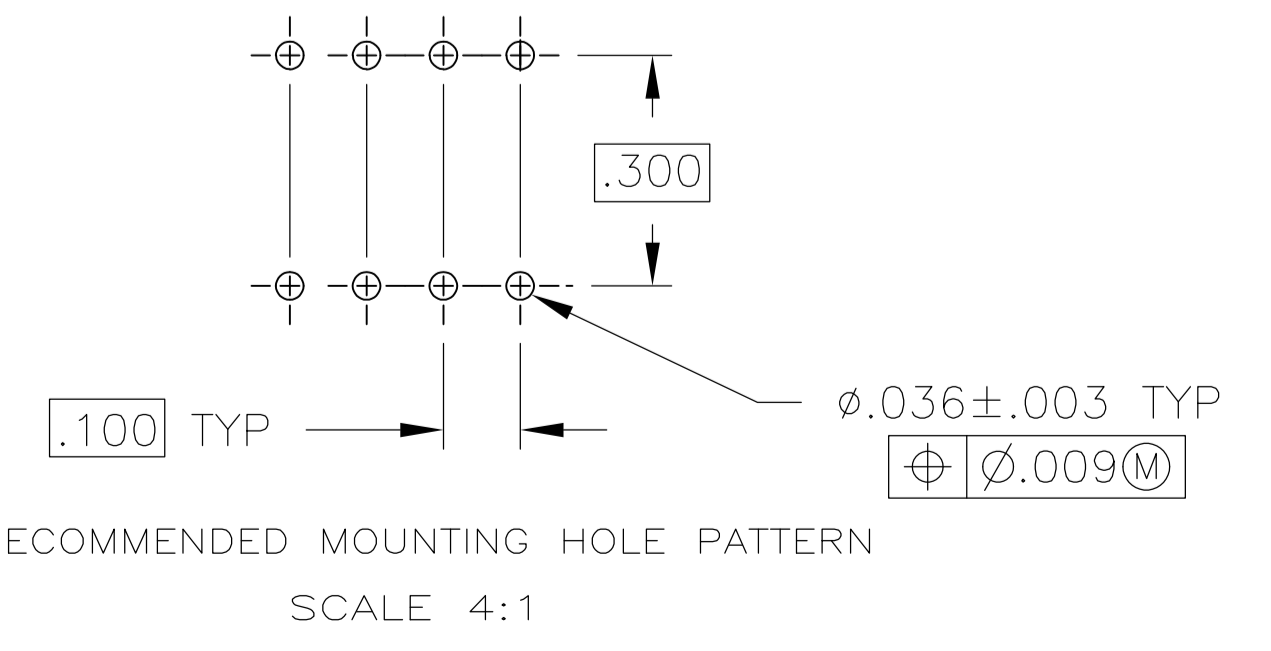
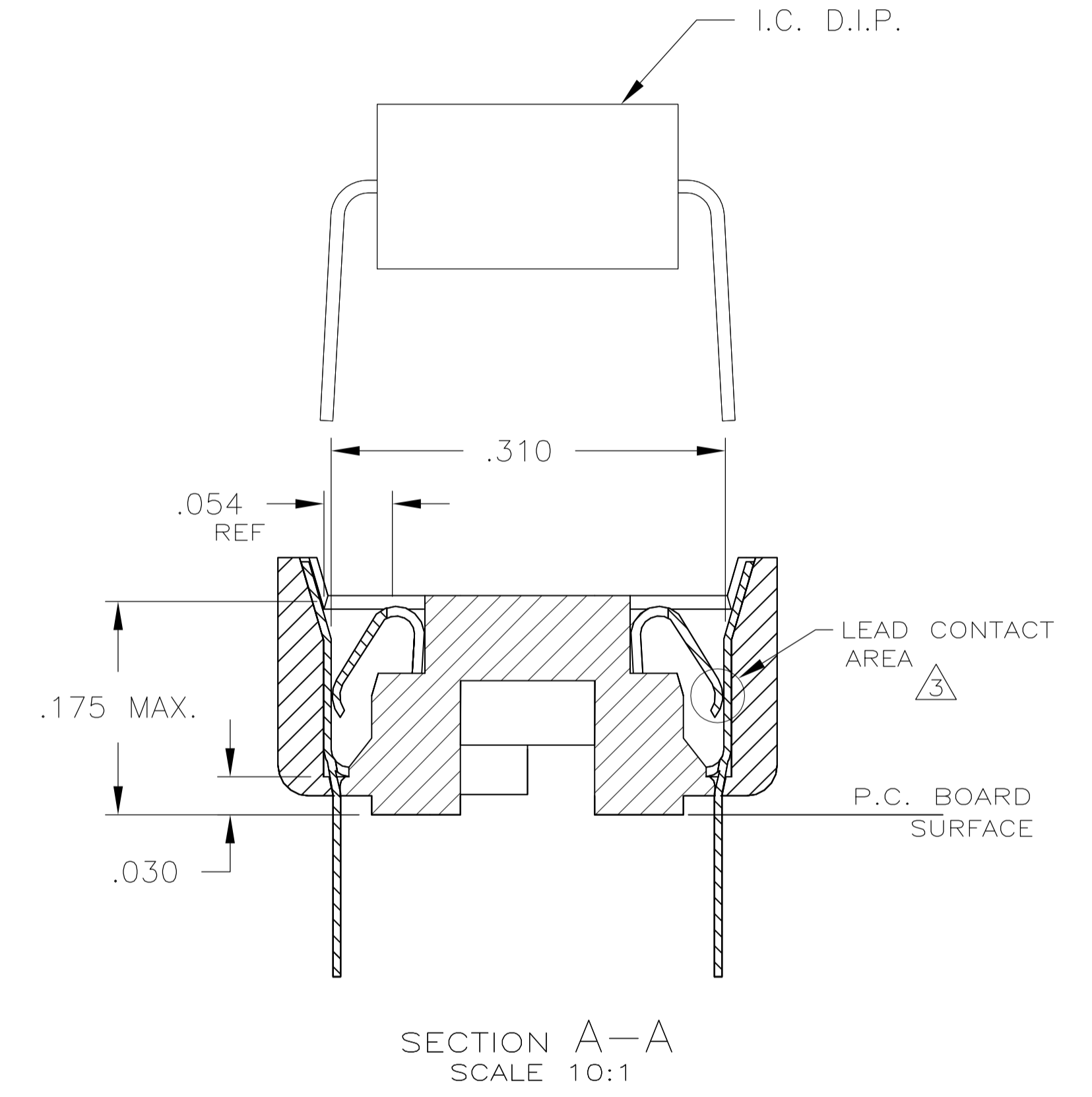
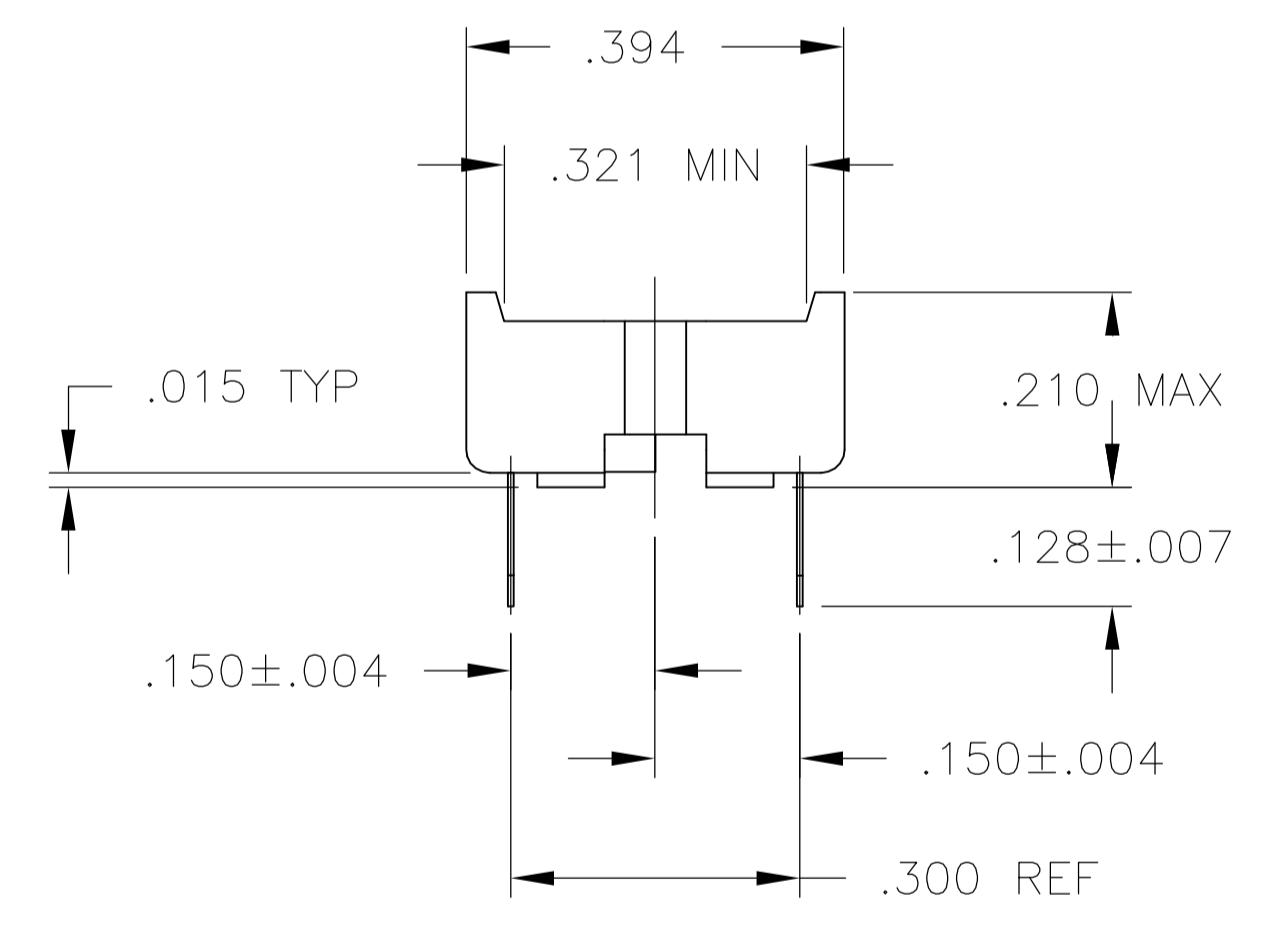
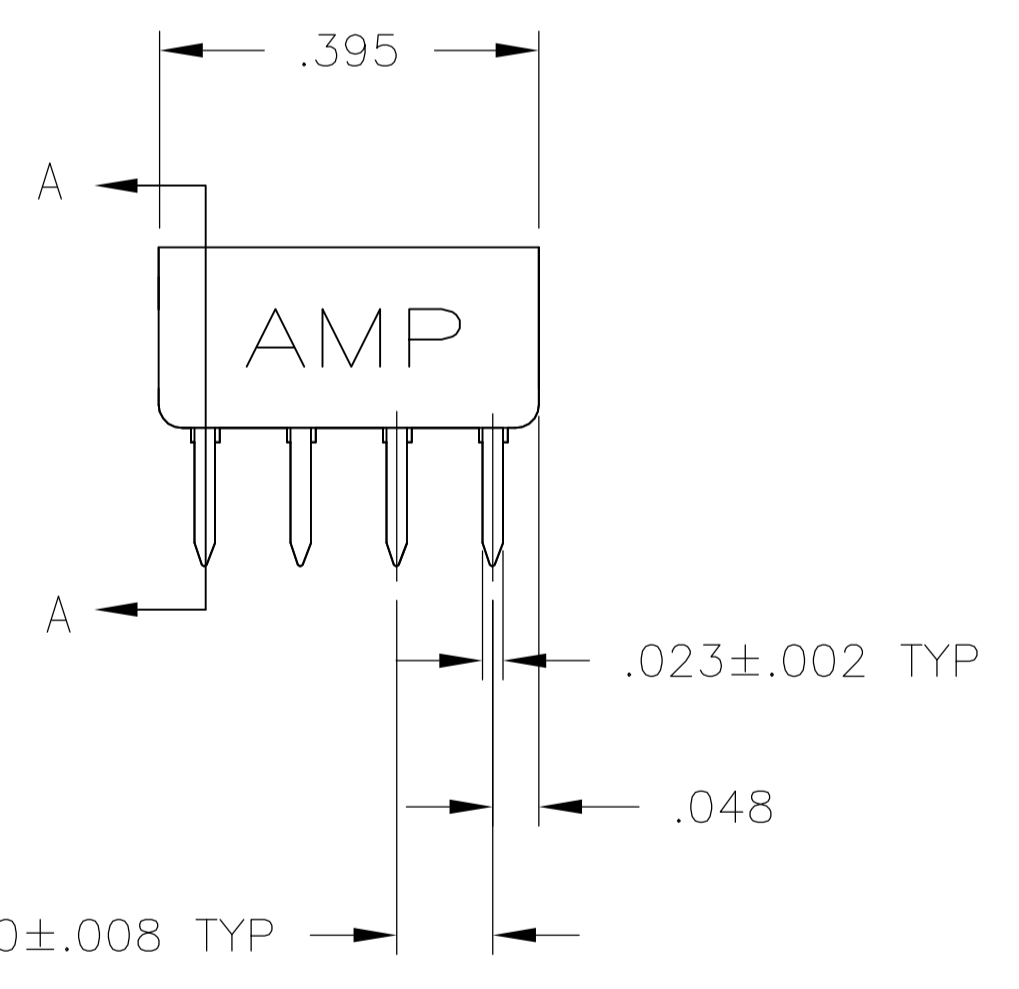
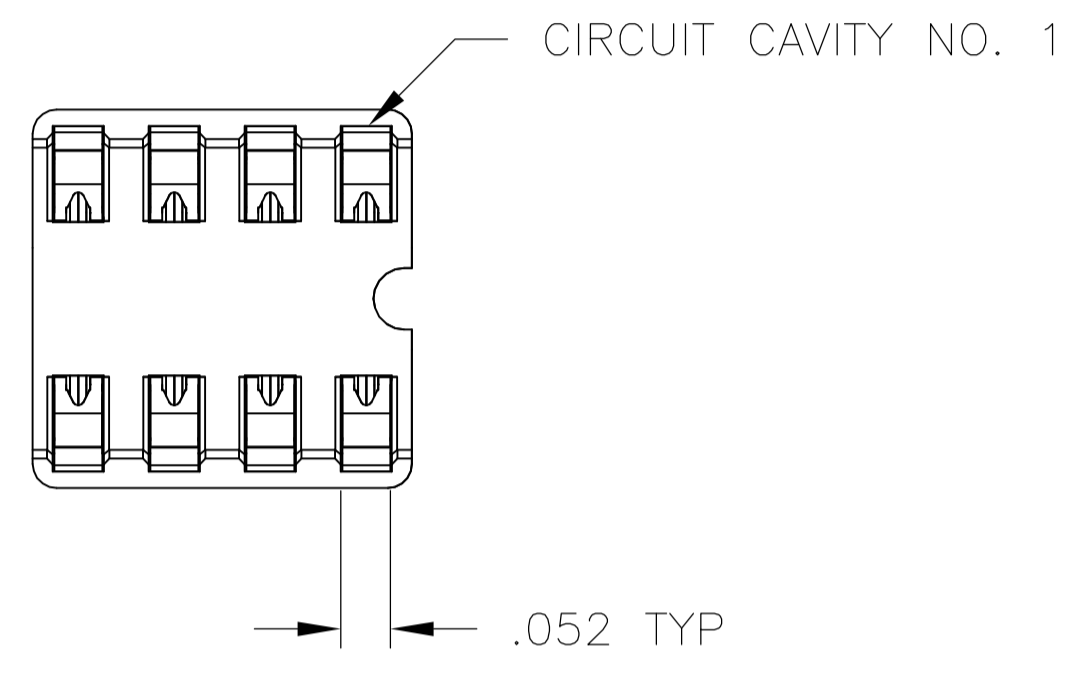


1. RECEPTACLE ACCEPTS A .008-.014 THICK I.C. LEAD.
2. TUBE LOADED.
3. TWO .000030 MIN THK. GOLD STRIPES IN CONTACT AREA WITH TIN-LEAD (93/7) ON CONTACT LEGS, BALANCE OF CONTACT NICKEL PLATED.



OBSOLETE	3	PHOS. BRZ	BROWN GLASS-FILLED PCT	2-382462-4
		PHOS. BRZ	BLACK THERMO PLASTIC	2-382462-3
		TINNED	BE.CU.	2-382462-1
		CONTACT FINISH	CONTACT MAT'L	HOUSING MATERIAL
				PART NO.

THIS DRAWING IS A CONTROLLED DOCUMENT.		BIN R BROWN 04JAN01		Tyco Electronics Corporation	
DIMENSIONS: INCHES		CHK H WYNKOOP 17NOV00		Harrisburg, PA 17105	
TOLERANCES UNLESS OTHERWISE SPECIFIED:		APVD H WYNKOOP 17NOV00		NAME	
0. PLC	± -	PRODUCT SPEC		SOCKET ASSY, DIP, HT, 8 POS, DIPLOMATE™ DL	
1. PLC	± -	108-1066		-	
2. PLC	± -	APPLICATION SPEC		-	
3. PLC	± .005	114-1052		-	
4. PLC	± -	SIZE		CAGE CODE	
ANGLES	± -	A1		DRAWING NO	
		WEIGHT		00779	
		MATERIAL		C=382462	
		FINISH		CUSTOMER DRAWING	
		SCALE		5:1	
		SHEET		1 OF 1	
		REV		K1	