

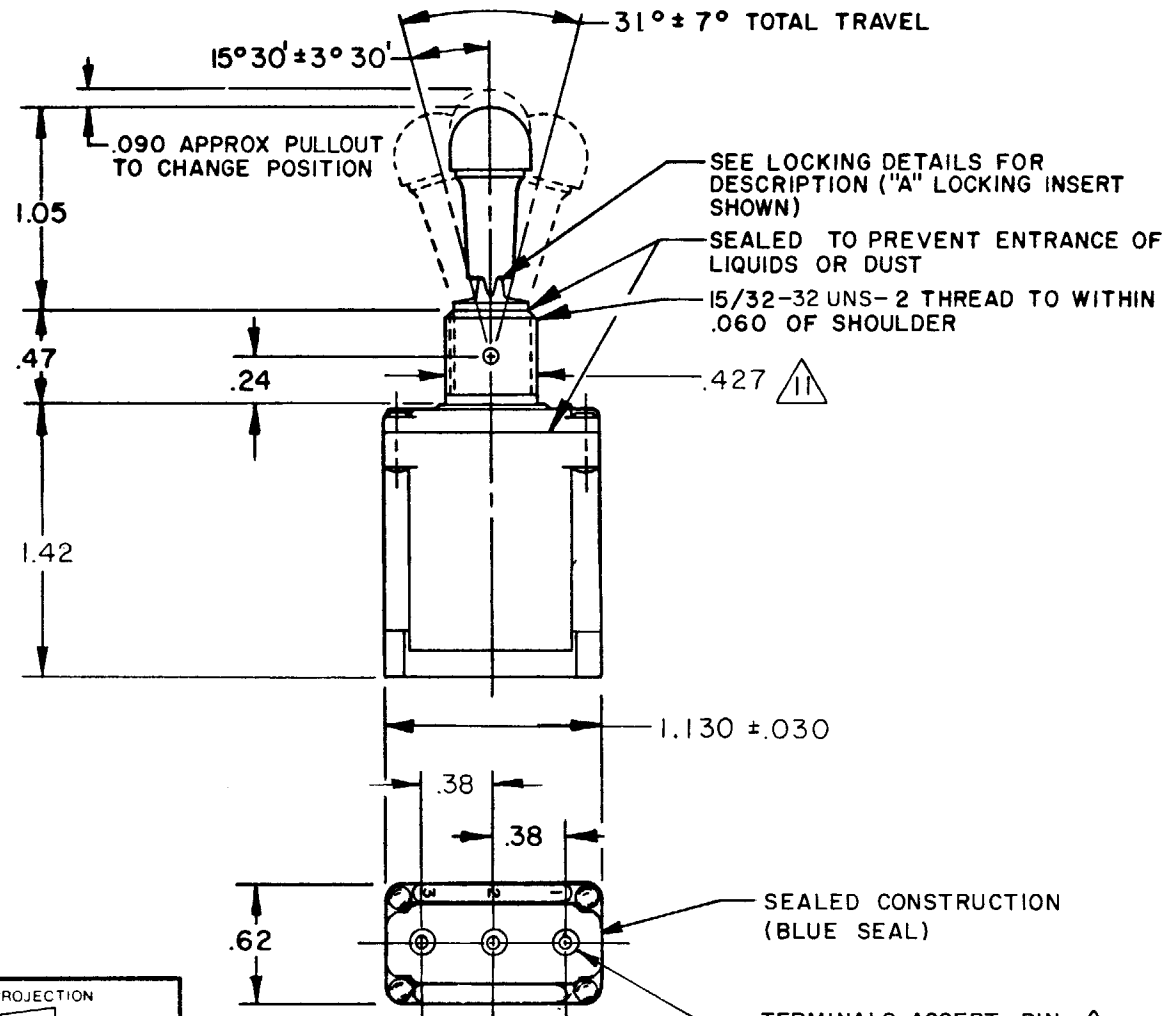
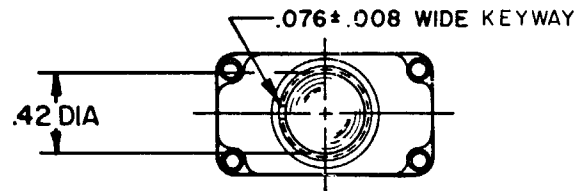
MICRO SWITCH
 FREEPORT, ILLINOIS, U.S.A.
 A DIVISION OF HONEYWELL
 FED. MFG. CODE 91929

SWITCH-TOGGLE

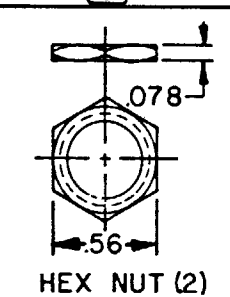
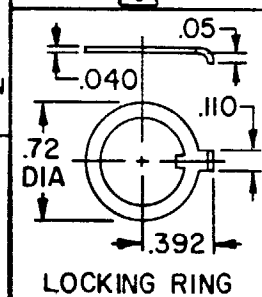
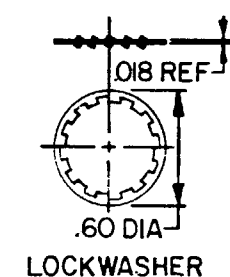
CATALOG LISTING
101TL1 SERIES
CHART 2

MILITARY STANDARD PART NUMBER	CATALOG LISTING	AVAILABLE LOCKING COMBINATIONS FOR CONFIGURATION SEE LETTERED DETAILS	CIRCUIT MADE IN WITH TOGGLE LEVER IN			CURRENT CAPACITY (AMPS)							
			KEYWAY SIDE (1-2)	CENTER (1-2)	OPPOSITE KEYWAY (2-3)	RESISTIVE LOAD				INDUCTIVE LOAD			
						DC VOLTS	IAC VOLTS	LAMP LOAD	INDUCTIVE LOAD	DC VOLTS	IAC VOLTS	LAMP LOAD	INDUCTIVE LOAD
28	125	250	125	250	28 VDC	125 VAC	28 VDC	125 VAC	28 VDC	125 VAC	28 VDC	125 VAC	
MS 27781-21	101TL1-1	ABDEFGHJKLMNP	ON	OFF	ON								
MS 27781-22	101TL1-2	D,F,G	OFF	NONE	ON								
MS 27781-23	101TL1-3	D,F,G	ON	NONE	ON	20	.75	.5	15	6	5	3	15
MS 27781-24	101TL1-21	E,F,K,M	NONE	OFF	ON								
MS 27781-33	101TL1-31	E,F,K,M	NONE	ON	ON								
MS 27781-29	101TL1-4	F	MOM OFF	NONE	ON								
MS 27781-31	101TL1-5	E,F,K,L,M,N	MOM ON	OFF	ON								
MS 27781-30	101TL1-6	F	MOM ON	NONE	OFF								
MS 27781-27	101TL1-7	E,L,N	MOM ON	OFF	MOM ON	15	.75	.5	15	6	4	2	10
MS 27781-26	101TL1-8	F	MOM ON	NONE	ON								
MS 27781-32	101TL1-51	E	NONE	ON	MOM ON								
MS 27781-28	101TL1-61	E	MOM ON	OFF	NONE								

THIS DRAWING COVERS A PROPRIETARY ITEM AND IS THE PROPERTY OF MICRO SWITCH. A DIVISION OF HONEYWELL. THIS DRAWING IS NOT TO BE COPIED OR USED WITHOUT THE APPROVAL OF MICRO SWITCH.



"A" LOCKED IN THREE POSITIONS	"B" LOCKED IN CENTER AND EXTREME POSITION (KEYWAY SIDE)	"D" LOCKED OUT OF CENTER POSITION	"E" LOCKED IN CENTER POSITION	"F" LOCKED IN EXTREME POSITION (OPPOSITE KEYWAY)
"G" LOCKED IN EXTREME POSITION (KEYWAY SIDE)	"H" LOCKED OUT OF CENTER AND EXTREME POSITION (KEYWAY SIDE)	"J" LOCKED OUT OF CENTER AND EXTREME POSITION (OPPOSITE KEYWAY)	"K" LOCKED IN CENTER AND EXTREME POSITION (OPPOSITE KEYWAY)	"L" LOCKED OUT OF EXTREME POSITION (KEYWAY SIDE)
"M" LOCKED OUT OF AND INTO EXTREME POSITION (OPPOSITE KEYWAY)	"N" LOCKED OUT OF EXTREME POSITION (OPPOSITE KEYWAY)	"P" LOCKED OUT OF AND INTO EXTREME POSITION (KEYWAY SIDE)		



- NOTES:**
- SWITCHES ARE CAPABLE OF WITHSTANDING A TEMPERATURE OF 160°F CONTINUOUSLY AT FULL RATED LOAD
 - CIRCUIT DESIGNATION, MICRO SWITCH CATALOG LISTING, DATE CODE AND MS NUMBER IDENTIFIED ON SIDE OF SWITCH
 - FURNISHED UNASSEMBLED
 - FOR TERMINAL COVER, SEE MICRO SWITCH CATALOG LISTING 5PA7
 - KEYWAY SHOWN ON LEFT SIDE
 - SUFFIX LETTER MUST BE ADDED FOR DESIRED TYPE OF TOGGLE LOCKING. SEE CHART FOR AVAILABLE LOCKING COMBINATIONS
 - APPLIES ONLY TO "ON" AND "MOMENTARY ON" POSITIONS
 - THE SEALING GROMMET SHALL SEAL ON A SMOOTH WIRE INSULATION OF .068 TO .103 DIAMETERS (14-16 GAGE)
 - UNUSED TERMINAL HOLES MAY BE SEALED WITH PLUGS M83723/28-16
 - THESE SWITCHES ARE QUALIFIED UNDER MIL-S-3950 FROM BOTTOM OF KEYWAY TO MAJOR DIA. OF 15/32 THREAD

CATALOG LISTING 101TL1 SERIES CHART 2
 ISSUE 12
 REVISIONS:
 A NEW CHY PR-5180
 D B W 21 JUL 75
 B C037951
 J A L 7 DEC 76
 C CO 49070
 G R T 18 MAY 81
 D CO 50496
 T S K 16 NOV 81
 E C056074
 G J W 20 NOV 84
 F CO 56864
 W J M 7 MAR 85
 G C057478
 T A D 12 JUL 85
 H C092297
 J A K 16 FEB 98
 FORMTEK DRAWN D B W 21 JUN 75
 CHECKED 7/75
 RELEASE NO. PR-4121
 REPLACES

THIRD ANGLE PROJECTION

SCALE FULL

DO NOT SCALE PRINT

TOLERANCES
 APPLY TO DESIGN UNITS. CONVERSIONS ARE ONLY FOR REFERENCE. UNLESS NOTED, TOLERANCES ARE ±

DIM.	TOL.	DIM.	TOL.
mm	mm/in	in	mm/in
NO PLACES	X	1/64	X
ONE PLACE	X.X	0.01/016	X.XX
TWO PLACES	X.XX	0.001/016	X.XXX
THREE PLACES	X.XXX	0.0001/016	X.XXXX

DESIGN UNITS: SI METRIC US CUSTOMARY

RAW MATERIAL—COMMERCIAL STANDARD
 MICRO SWITCH STANDARDS APPLY

DIMENSIONS ARE TO BE MET BEFORE
 PROTECTIVE COATINGS ARE APPLIED

WEIGHT