

**PLEASE CHECK WWW.MOLEX.COM FOR LATEST PART INFORMATION**

**Part Number:** [0731385003](#)

**Status:** **Active**

**Description:** BNC 50 Ohm, Right Angle PCB Bulkhead Jack Receptacle, Panel Isolated, Black PBT Housing, Housing Height 15.90mm (.625"), Nut and Lockwasher included, Gold Flash on Contact

**Documents:**

[Drawing \(PDF\)](#)

[Product Specification PS-89675-103 \(PDF\)](#)

[RoHS Certificate of Compliance \(PDF\)](#)

**General**

Product Family	RF/Coax Connectors
Series	73138
IP Rated	No
More Detailed Tech Information	<a href="mailto:rf@molex.com">rf@molex.com</a>
Product Name	BNC
Style	PCB
Wire/Cable Type	N/A

**Physical**

Cable Attachment	N/A
Gender	Female
Keying to Mating Part	N/A
Orientation	Right Angle
PCB Mounting	Through Hole
PCB Thickness Recommended (in)	0.125 In
PCB Thickness Recommended (mm)	3.20 mm
Packaging Type	Tray
Panel Mount	Yes
Panel Mount Method	Bulkhead
Reverse Polar	No

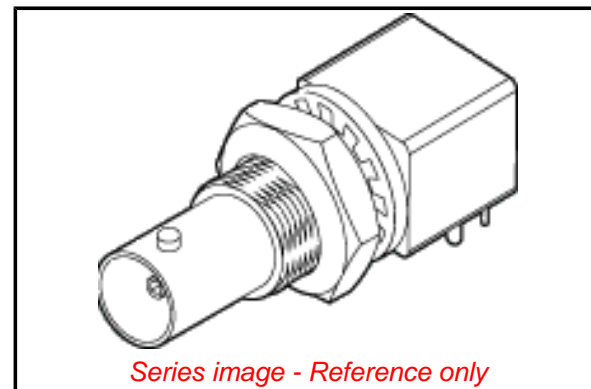
**Electrical**

Impedance	50 ohms
-----------	---------

**Material Info**

**Reference - Drawing Numbers**

Product Specification	PS-89675-103
Sales Drawing	SD-73138-5003



*Series image - Reference only*

**EU RoHS**

**RoHS Compliant RF Product**

**REACH SVHC**

**Contains SVHC: No**

**Halogen-Free**

**Status**

**Not Reviewed**

**China RoHS**



Pb

**Need more information on product environmental compliance?**

Email [productcompliance@molex.com](mailto:productcompliance@molex.com)  
Please visit the [Contact Us](#) section for any non-product compliance questions.

Lead-free Process      Wave Capable (TH  
Capability                      only)  
Process Temperature 245  
max. C

**Search Parts in this Series**

[73138 Series](#)