

RIGHT ANGLE, P.C.B. FILTERED D-SUB ORDERING CODE

PDF - 15

S

9

J

| | |
|----------------|-----|
| NUMBER OF PINS | =09 |
| | =15 |
| | =25 |
| | =37 |

| | | |
|--------|--------|----|
| GENDER | MALE | =S |
| | FEMALE | =R |

| | | |
|-------------------|---------|---------|
| FOOT PRINT LENGTH | 7.2mm | = BLANK |
| | 9.4mm | =9 |
| | 13.84mm | =13 |

| | | |
|-------------|--|---------|
| MATING FACE | 4-40 THREADED RIVET | = BLANK |
| | JACK SCREW 4-40 THREAD | =J |
| | RIVETED HEX STANDOFF | =K |
| | 4-40 THREADED RIVET & JACK SCREW (UNASSEMBLED) | =P |
| | 4-40 THREADED RIVET & JACK SCREW | =R |

| | | |
|-------------|--------------------|---------|
| P.C.B. FACE | BOARD LOCK | = BLANK |
| | HOLE | =H |
| | THREADED HOLE | =T |
| | NO GROUNDING STRAP | =Z |

| | |
|---|---------|
| GOLD PLATING (XX IS GOLD IN MICRO INCHES) | =GXX |
| GOLD FLASH (STANDARD) | = BLANK |

6

5

4

3

2

1

MATERIAL AND FINISH

Insulator: PBT & glass fiber reinforced, UL-94V-0 rated.

Shell: Steel, Nickel plated.

Contacts: Brass, Gold plated over Nickel.

ELECTRICAL SPECIFICATIONS:

Rated current: 5A

Insulation resistance: 1000 Mohm min. at 500 VDC

Dielectric withstanding voltage: 1000 VAC for one minute

Contact resistance: 15 mohm max

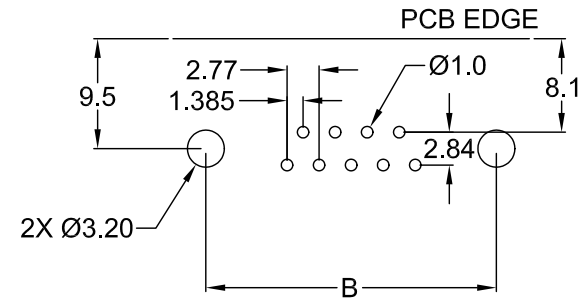
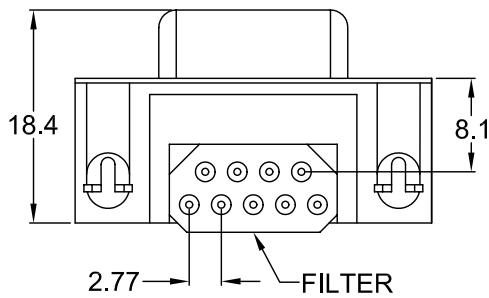
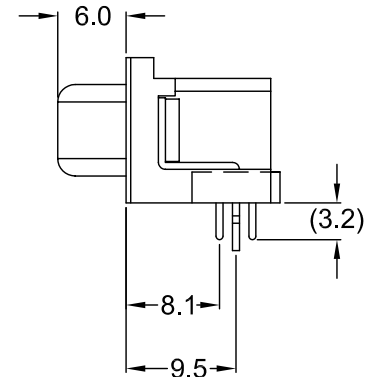
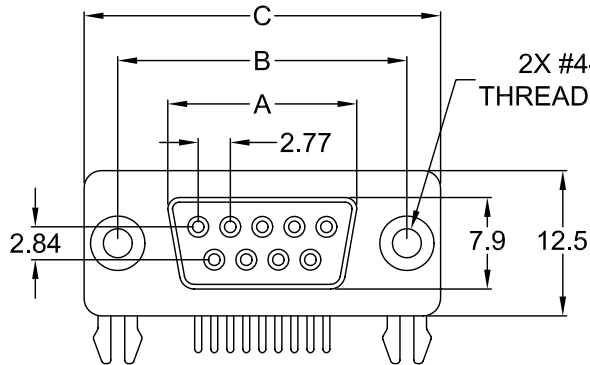
ENVIRONMENTAL:

Operating temperature: -55°C TO +105°C

NOTES:

Replace the first XX in P/N with number of positions.

| POSITION | A | B | C |
|----------|------|------|------|
| 09 | 16.3 | 25.0 | 30.8 |
| 15 | 24.6 | 33.3 | 39.2 |
| 25 | 38.3 | 47.1 | 53.1 |
| 37 | 54.8 | 63.5 | 69.4 |



RECOMMENDED PCB LAYOUT

-XXX: SEE ORDERING CODE FOR OPTIONS

| | | | |
|-----------|--------|------|------|
| REVISIONS | CHNG | CHK | APPR |
| | CHANGE | | |
| | REV | DATE | |

| | |
|---|---------|
| TOLERANCE UNLESS OTHERWISE SPECIFIED | |
| X | ± 1 |
| X.X | ± 0.4 |
| X.XX | ± 0.20 |
| DRAWN BY | DF |
| CHECK BY | |
| APPR BY | |
| DATE: | 2/14/06 |
| DATE: | |
| DATE: | |

Power Dynamics, Inc.

Phone: 973 560-0019 Whippany, New Jersey Fax: 973 560-0076

PART: RIGHT ANGLE FILTERED, FEMALE D-SUB
PCB MOUNT, 8.1mm FOOTPRINT

| | | |
|---------------------|--|--------------|
| PART #: PDF-XXR-XXX | | SHEET 1 of 1 |
| SIZE: A | ALL DIMENSIONS FOR REFERENCE ONLY DIMENSIONS ARE IN MILLIMETERS | REV: |
| SCALE: NTS | | |

6

5

4

3

2

1

6

5

4

3

2

1

MATERIAL AND FINISH

Insulator: PBT & glass fiber reinforced, UL-94V-0 rated.

Shell: Steel, Nickel plated.

Contacts: Brass, Gold over Nickel plated.

ELECTRICAL SPECIFICATIONS:

Rated current: 5A

Insulation resistance: 1000 Mohm min. at 500 VDC

Dielectric withstanding voltage: 1000 VAC for one minute

Contact resistance: 15 mohm max

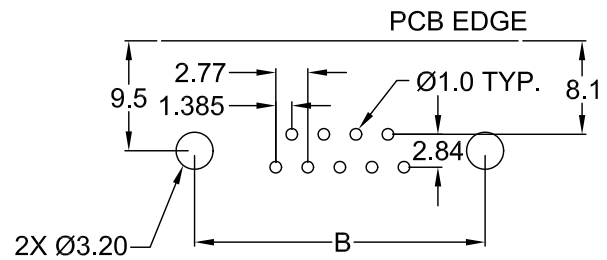
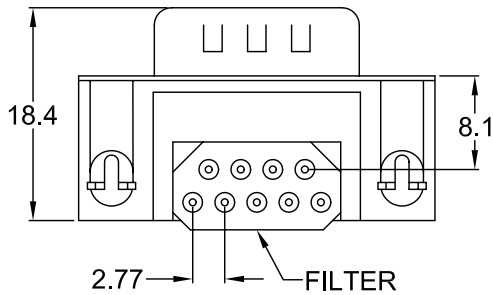
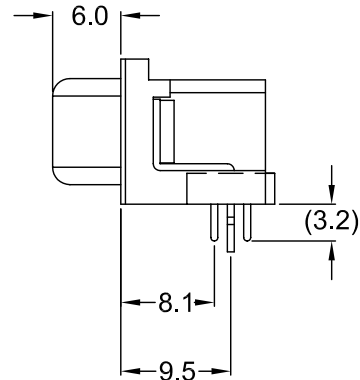
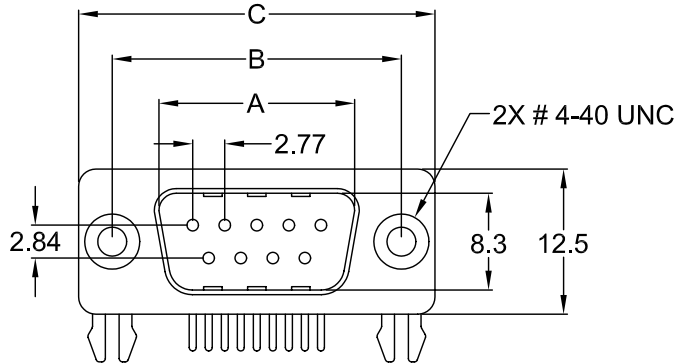
ENVIRONMENTAL:

Operating Temperature: -55°C TO +105°C

NOTES:

Replace the first XX in P/N with number of positions.

| POSITION | A | B | C |
|----------|------|------|------|
| 09 | 16.9 | 25.0 | 30.8 |
| 15 | 25.3 | 33.3 | 39.2 |
| 25 | 39.0 | 47.1 | 53.1 |
| 37 | 55.2 | 63.5 | 69.4 |



-XXX: SEE ORDERING CODE FOR OPTIONS

| | | | |
|-----------|--------|------|------|
| REVISIONS | CHNG | CHK | APPR |
| | CHANGE | | |
| | REV | DATE | |

| | | | |
|---|--------|-------|---------|
| TOLERANCE UNLESS OTHERWISE SPECIFIED | | | |
| X | ± 1 | | |
| X.X | ± 0.4 | | |
| X.XX | ± 0.20 | | |
| DRAWN BY | DF | DATE: | 2/14/06 |
| CHECK BY | | DATE: | |
| APPR BY | | DATE: | |

Power Dynamics, Inc.

Phone: 973 560-0019 Whippany, New Jersey Fax: 973 560-0076

PART: RIGHT ANGLE FILTERED, MALE D-SUB
PCB MOUNT, 8.1mm FOOTPRINT

PDF-XXS-XXX SHEET 1 of 1

SIZE: A ALL DIMENSIONS FOR REFERENCE ONLY
SCALE: NTS DIMENSIONS ARE IN MILLIMETERS REV:

6

5

4

3

2

1

6

5

4

3

2

1

MATERIAL AND FINISH

Insulator: PBT & glass fiber reinforced, UL-94V-0 rated.

Shell: Steel, Nickel plated.

Contacts: Brass, Gold plated over Nickel.

ELECTRICAL SPECIFICATIONS:

Rated current: 5A

Insulation resistance: 1000 Mohm min. at 500 VDC

Dielectric withstanding voltage: 1000 VAC for one minute

Contact resistance: 15 mohm max

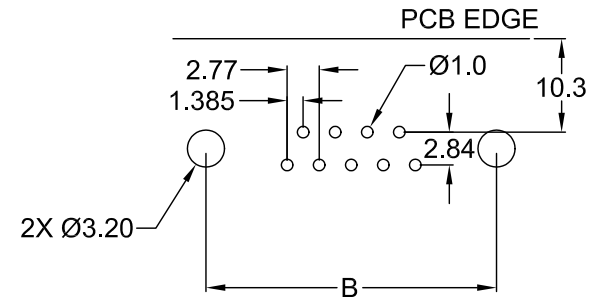
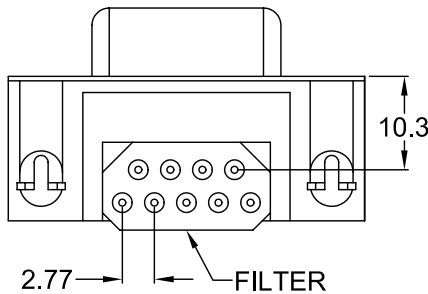
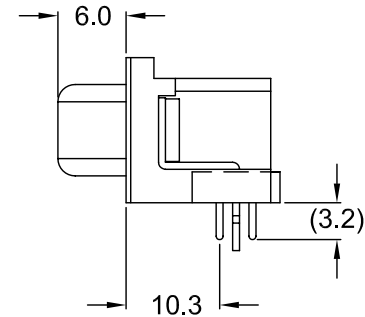
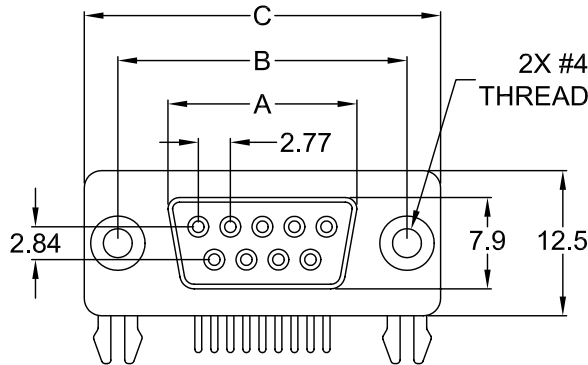
ENVIRONMENTAL:

Operating temperature: -55°C TO +105°C

NOTES:

Replace the first XX in P/N with number of positions.

| POSITION | A | B | C |
|----------|------|------|------|
| 09 | 16.3 | 25.0 | 30.8 |
| 15 | 24.6 | 33.3 | 39.2 |
| 25 | 38.3 | 47.1 | 53.1 |
| 37 | 54.8 | 63.5 | 69.4 |



-XXX: SEE ORDERING CODE FOR OPTIONS

| | | | |
|-----------|--------|-----|------|
| REVISIONS | CHNG | CHK | APPR |
| | CHANGE | | |
| | DATE | | |
| REV | | | |

| | |
|---|---------|
| TOLERANCE UNLESS OTHERWISE SPECIFIED | |
| X | ± 1 |
| X.X | ± 0.4 |
| X.XX | ± 0.20 |
| DRAWN BY | DF |
| CHECK BY | |
| APPR BY | |
| DATE: | 2/14/06 |
| DATE: | |
| DATE: | |

Power Dynamics, Inc.

Phone: 973 560-0019 Whippany, New Jersey Fax: 973 560-0076

PART: RIGHT ANGLE FILTERED, FEMALE D-SUB
PCB MOUNT, 10.3mm FOOTPRINT

| | | |
|-----------------------|--|--------------|
| PART #: PDF-XXR-9-XXX | | SHEET 1 of 1 |
| SIZE: A | ALL DIMENSIONS FOR REFERENCE ONLY DIMENSIONS ARE IN MILLIMETERS | |
| SCALE: NTS | REV: | |

6

5

4

3

2

1

6

5

4

3

2

1

MATERIAL AND FINISH

Insulator: PBT & glass fiber reinforced, UL-94V-0 rated.

Shell: Steel, Nickel plated.

Contacts: Brass, Gold over Nickel plated.

ELECTRICAL SPECIFICATIONS:

Rated current: 5A

Insulation resistance: 1000 Mohm min. at 500 VDC

Dielectric withstanding voltage: 1000 VAC for one minute

Contact resistance: 15 mohm max

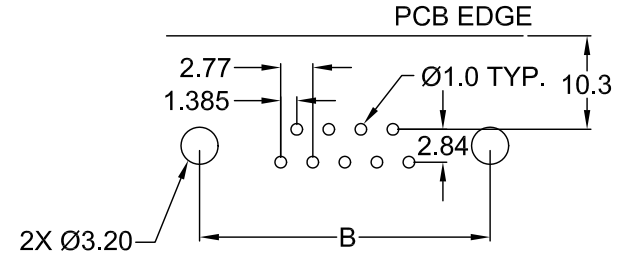
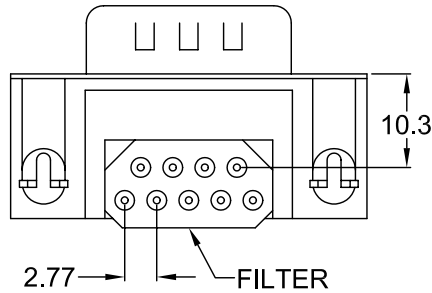
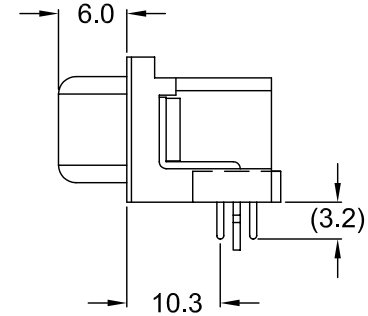
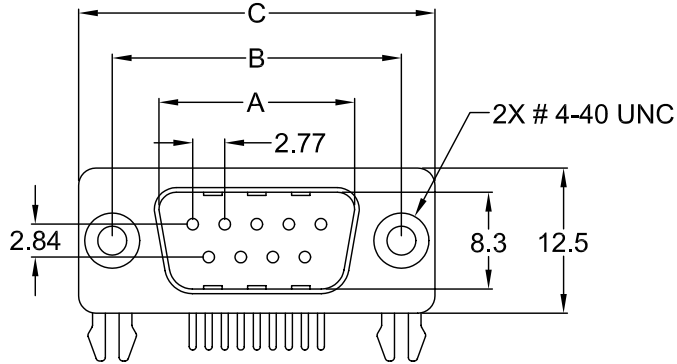
ENVIRONMENTAL:

Operating Temperature: -55°C TO +105°C

NOTES:

Replace the first XX in P/N with number of positions.

| POSITION | A | B | C |
|----------|------|------|------|
| 09 | 16.9 | 25.0 | 30.8 |
| 15 | 25.3 | 33.3 | 39.2 |
| 25 | 39.0 | 47.1 | 53.1 |
| 37 | 55.2 | 63.5 | 69.4 |



-XXX: SEE ORDERING CODE FOR OPTIONS

| | | | |
|-----------|--------|------|------|
| REVISIONS | CHNG | CHK | APPR |
| | CHANGE | | |
| | REV | DATE | |

| | | | |
|---|--------|-------|---------|
| TOLERANCE UNLESS OTHERWISE SPECIFIED | | | |
| X | ± 1 | | |
| X.X | ± 0.4 | | |
| X.XX | ± 0.20 | | |
| DRAWN BY | DF | DATE: | 2/14/06 |
| CHECK BY | | DATE: | |
| APPR BY | | DATE: | |

Power Dynamics, Inc.
 Phone: 973 560-0019 Whippany, New Jersey Fax: 973 560-0076

PART: RIGHT ANGLE FILTERED, MALE D-SUB
 PCB MOUNT, 10.3mm FOOTPRINT

| | | |
|-----------------------|--|--------------|
| PART #: PDF-XXS-9-XXX | | SHEET 1 of 1 |
| SIZE: A | ALL DIMENSIONS FOR REFERENCE ONLY DIMENSIONS ARE IN MILLIMETERS | REV: |
| SCALE: NTS | | |

6

5

4

3

2

1

6

5

4

3

2

1

MATERIAL AND FINISH

Insulator: PBT & Glass Fiber reinforced, UL 94V-0 Rated.
Shell: Steel, Tin Plated.
Pin contact: Brass, gold flash plating over Nickel.

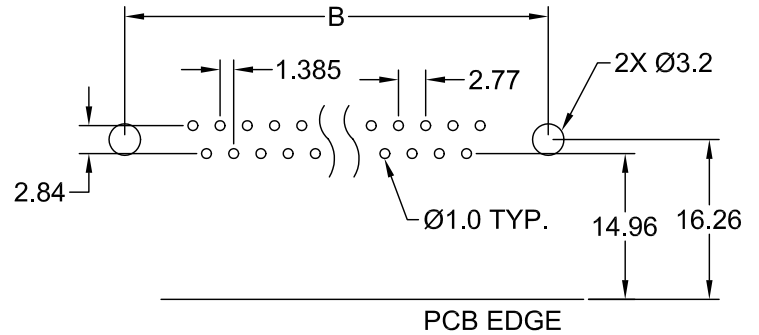
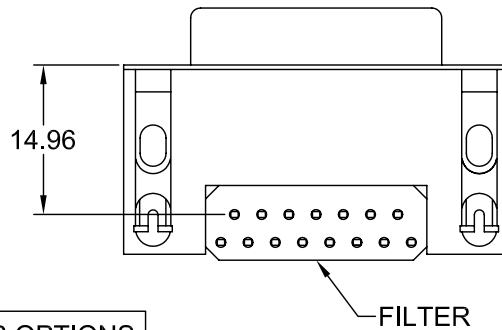
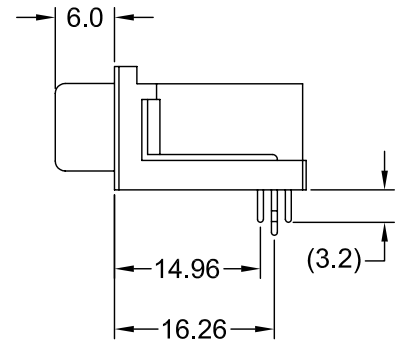
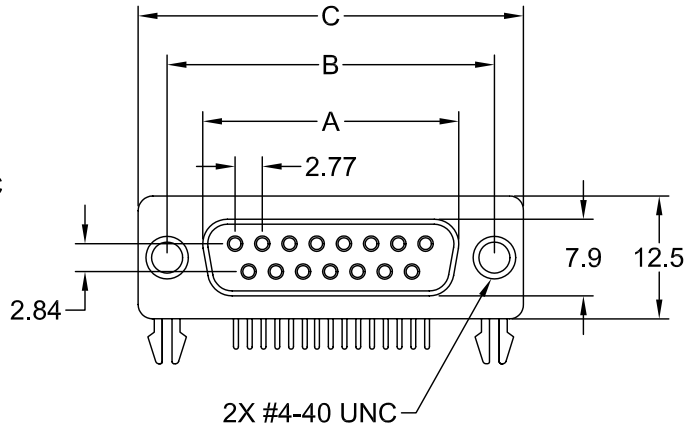
Operating Temperature: -55°C to +105°C

ELECTRICAL SPECIFICATIONS:

Rated Current: 2A
Insulation Resistance: 1000 Mohm min @ 500VDC
Dielectric Withstanding Voltage: 1000VAC / 1 MIN.
Contact Resistance: 15 mohm max.

NOTE: Replace first XX in part number with number of positions.

| POSITION | A | B | C |
|----------|------|------|------|
| 09 | 16.3 | 25.0 | 30.8 |
| 15 | 24.6 | 33.3 | 39.2 |
| 25 | 38.3 | 47.1 | 53.1 |
| 37 | 54.8 | 63.5 | 69.4 |



RECOMMENDED PCB LAYOUT TOP VIEW

-XXX: SEE ORDERING CODE FOR OPTIONS

| | | | |
|-----------|--------|------|------|
| REVISIONS | CHNG | CHK | APPR |
| | CHANGE | | |
| | REV | DATE | |

| | | | |
|---|--------|-------|---------|
| TOLERANCE UNLESS OTHERWISE SPECIFIED | | | |
| X | ± 1 | | |
| X.X | ± 0.4 | | |
| X.XX | ± 0.13 | | |
| DRAWN BY | DF | DATE: | 2/14/06 |
| CHECK BY | | DATE: | |
| APPR BY | | DATE: | |

Power Dynamics, Inc.

Phone: 973 560-0019 Whippany, New Jersey Fax: 973 560-0076

PART: RIGHT ANGLE FILTERED, FEMALE D-SUB
PCB MOUNT, 14.96mm FOOTPRINT

| | | |
|------------------------|--|--------------|
| PART #: PDF-XXR-13-XXX | | SHEET 1 of 1 |
| SIZE: A | ALL DIMENSIONS FOR REFERENCE ONLY DIMENSIONS ARE IN MILLIMETERS | REV: |
| SCALE: NTS | | |

6

5

4

3

2

1

6

5

4

3

2

1

MATERIAL AND FINISH

Insulator: PBT & Glass Fiber reinforced, UL 94V-0 Rated.
Shell: Steel, Tin Plated.
Pin contact: Brass, gold flash plating over Nickel.

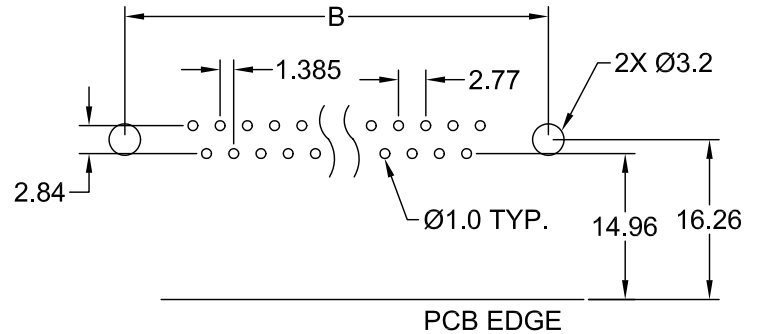
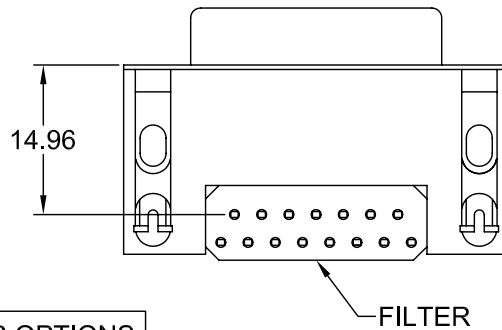
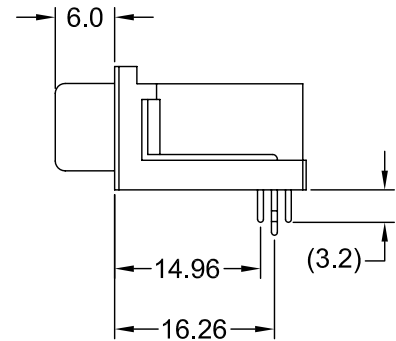
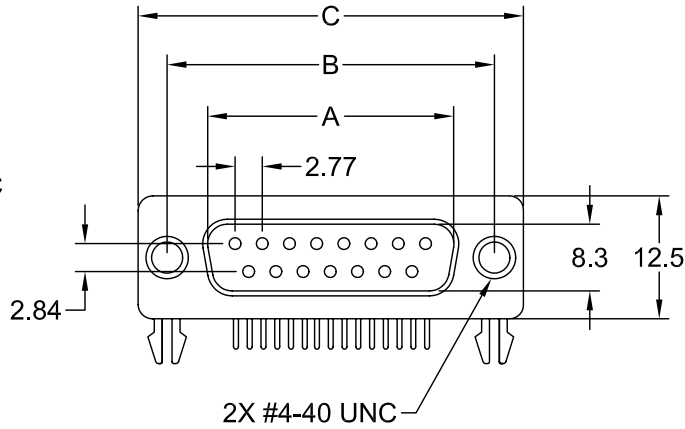
Operating Temperature: -55°C to +105°C

ELECTRICAL SPECIFICATIONS:

Rated Current: 2A
Insulation Resistance: 1000 Mohm min @ 500VDC
Dielectric Withstanding Voltage: 1000VAC / 1 MIN.
Contact Resistance: 15 mohm max.

NOTE: Replace first XX in part number with number of positions.

| POSITION | A | B | C |
|----------|------|------|------|
| 09 | 16.9 | 25.0 | 30.8 |
| 15 | 25.3 | 33.3 | 39.2 |
| 25 | 39.0 | 47.1 | 53.1 |
| 37 | 55.2 | 63.5 | 69.4 |



RECOMMENDED PCB LAYOUT TOP VIEW

-XXX: SEE ORDERING CODE FOR OPTIONS

| | | | |
|-----------|------|-------|------|
| REVISIONS | CHNG | CHECK | APPR |
| | REV | DATE | BY |

| | | | |
|---|--------|-------|---------|
| TOLERANCE UNLESS OTHERWISE SPECIFIED | | | |
| X | ± 1 | | |
| X.X | ± 0.4 | | |
| X.XX | ± 0.13 | | |
| DRAWN BY | DF | DATE: | 2/14/06 |
| CHECK BY | | DATE: | |
| APPR BY | | DATE: | |

Power Dynamics, Inc.

Phone: 973 560-0019 Whippany, New Jersey Fax: 973 560-0076

PART: RIGHT ANGLE FILTERED, MALE D-SUB
PCB MOUNT, 14.96mm FOOTPRINT

| | | |
|------------------------|--|--------------|
| PART #: PDF-XXS-13-XXX | | SHEET 1 of 1 |
| SIZE: A | ALL DIMENSIONS FOR REFERENCE ONLY DIMENSIONS ARE IN MILLIMETERS | REV: |
| SCALE: NTS | | |

6

5

4

3

2

1