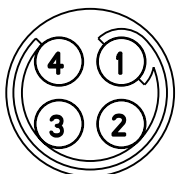
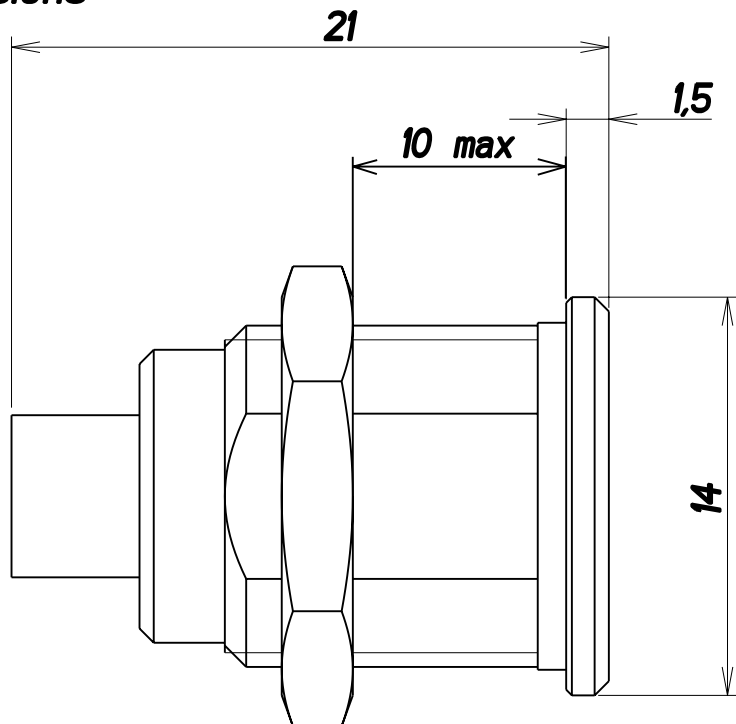
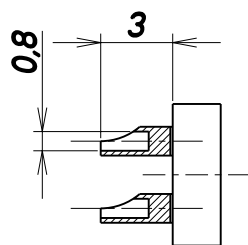


Insulator
Viewed from wiring side

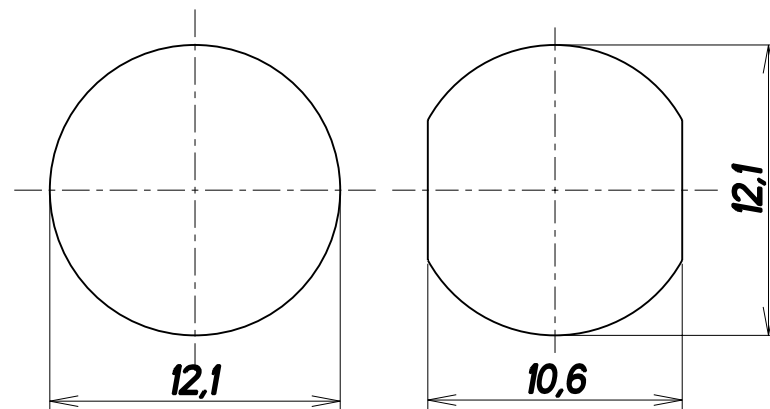


Dimensions
(mm)

4 sockets x 0.9 mm



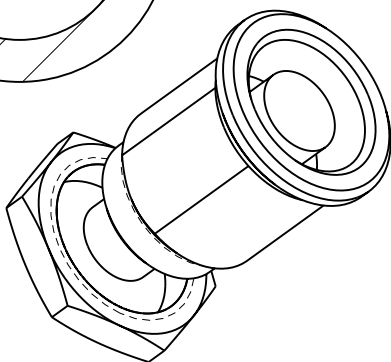
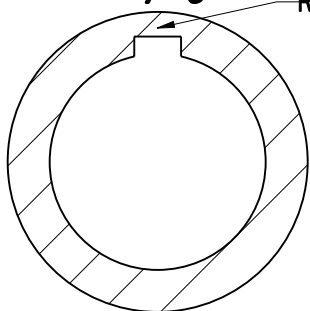
Panel cut-out



FIXED RECEPTACLE size 1

Keying

RED DOT



SCALE 2:1

REV	ECN NUMBER	xxx mm-dd-yy BY DATE	xxx mm-dd-yy CHKD DATE
REVISION			

DRAWING TITLE				
FIXED RECEPTACLE , FRONT PANEL MOUNTING , LOCKING NUT				
CAT NO. JBX - ER - IG - 04 - FS - SDSR				
DWG RELEASED TO CENTRAL FILE: 06/15/01		DRAWN: CEJ 05/30/01		
CAGE NO: ----	DON: 1643	SIZE: A	CHKD : DAF 05/30/01	
			DSGN : DAF 05/30/01	
			SYMBOLS INDICATE CLASSIFICATION PER SPECIFICATION D313	MFG : EAP 05/30/01
			THE SYMBOL DENOTES INDICATORS FOR STATISTICAL PROCESS CONTROL REQUIREMENTS PER SPECIFICATION D735	QC : AGP 05/30/01
			DRAWING SCALE: 1:1	DRAWING NO. REV
			JBX-ER-IG-04-FS-SDSR 0	
1 OF 1				

LINEAR MEASURE:	mm [INCH]
THIRD ANGLE PROJECTION	
TOLERANCES UNLESS OTHERWISE SPECIFIED	
No. OF PLACES	INCH [mm]
ONE PLACE	±.1 [±3]
TWO PLACES	±0.02 [±.5]
THREE PLACES	±0.005 [±.13]
ANGLES ±1°	

All rights strictly reserved. Reproduction or issue to third parties in any form whatever is not permitted without written authority from the proprietor. Property of FCI. Copyright FCI.
 Tous droits strictement réservés. Reproduction ou communication à des tiers interdite sous quelque forme que ce soit sans autorisation écrite du propriétaire. Propriété de c FCI. Droits de reproduction FCI.