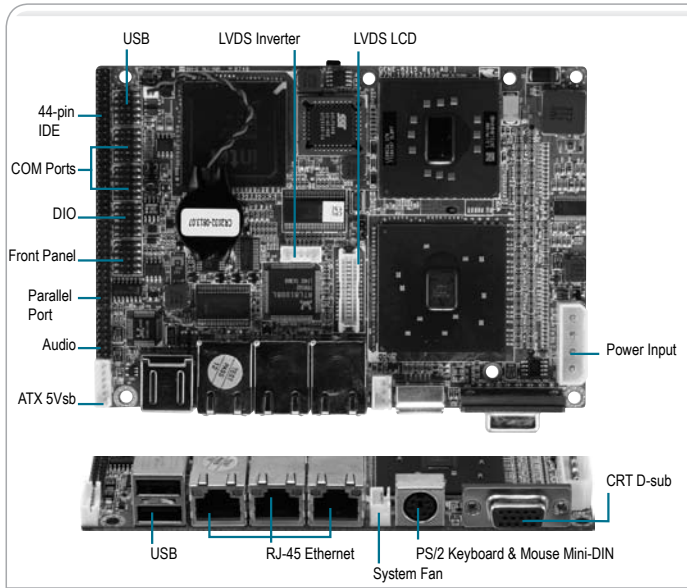


GENE-8315

■ 3.5" SubCompact Board With Intel® ULV Celeron® M Processors



Features

- Onboard Intel® ULV Celeron® M 600 MHz/ 1.0 GHz or Intel® Celeron® M 1.3 GHz (Optional)/ 1.5 GHz Processors
- Intel® 852GM + ICH4
- SODIMM DDR266, Max. 1 GB
- 10/100Base-TX Ethernet x 3
- CRT, Up To 24-bit Dual-Channel LVDS LCD
- AC97 2.0 Codec 2CH Audio
- EIDE x 1, Type II CompactFlash™ x 1
- COM x 2, USB2.0 x 4, Parallel x 1, 8-bit Digital I/O
- +5V Only Operation

Specifications

System	
Form Factor	3.5"
Processor	Onboard Intel® Celeron® M Processors 1.5 GHz/1.3 GHz (optional) or Intel® ULV Celeron® M Processors 1.0 GHz 0K L2 cache/ 600 MHz 512 KL2 cache with FSB: 400 MHz
System Memory	200 pin DDR SODIMM x 1, Max. 1 GB (DDR266)
Chipset	Intel® 852GM + ICH4
I/O Chipset	ITE IT8712
Ethernet	Intel® 82562 x 1 & Realtek RTL8100BL x 2 for 10/100Base-TX, RJ-45 x 3
BIOS	Award Plug & Play LPC BIOS - 1 MB ROM
Wake On LAN	Yes
Watchdog Timer	Generates a time-out system reset
H/W Status Monitoring	Supports power supply voltages, fan speed and temperature monitoring
Battery	Lithium battery
Power Requirement	+5V, ATX/AT
Power Consumption (Typical)	Celeron® M 1.5 GHz, DDR 1 GB 5.21A@5V
Board Size	5.75" (L) x 4" (W) (146mm x 101.6mm)
Gross Weight	0.8 lb (0.4 Kg)
Operating Temperature	32°F ~ 140°F (0°C ~ 60°C)
Storage Temperature	-40°F ~ 176°F (-40°C ~ 80°C)
Operating Humidity	0% ~ 90% relative humidity, non-condensing
MTBF (Hours)	70,000
Display	
Supports CRT/LCD simultaneous/ dual view display	
Chipset	Intel® 852GM integrated
Memory	Shared system memory up to 64 MB/ DVMT
Resolutions	Up to 1600 x 1200 for CRT Up to 1280 x 1024 for LCD
LCD Interface	up to 24-bit dual-channel LVDS (Emulated 24-bit Dual-channel LCD)
I/O	
Storage	EIDE x 1 (UDMA-33 for two devices), CompactFlash™ x 1
Serial Port	RS-232 x 1, RS-232/422/485 (auto flow) x 1
Parallel Port	SPP/ EPP/ ECP mode
USB	USB2.0 x 4
PS/2 Port	Keyboard x 1, Mouse x 1
Digital I/O	Supports 8-bit (Programmable)
Audio	Mic-in, Line-in, Line-out, CD-in

For Wide Temperature series of this model, please refer to Chapter 1 - Wide Temperature Boards, to get detailed specification of GENE-8315W1.



Packing list

- **1701440500**
IDE Cable
- **1700060192**
KB/Mouse Cable
- **1709100201**
USB Cable
- **9657666600**
Jumper Cap
- **Cooler or Heatsink**
- **Quick Installation Guide**
- **Utility CD**
- **GENE-8315**

Ordering Information

- **TF-GENE-8315-A10 (Fanless)**
3.5" Board, UV Celeron® M 600 MHz, LCD, DDR, 3 LAN, 2 COM, USB2.0, CompactFlash™, AT/ATX, Rev. A1.0
- **TF-GENE-8315-A10-01 (Fanless)**
3.5" Board, UV Celeron® M 1.0 GHz, LCD, DDR, 3 LAN, 2 COM, USB2.0, CompactFlash™, AT/ATX, Rev. A1.0
- **TF-GENE-8315-A10-02 (With Fan)**
3.5" Board, Celeron® M 1.5 GHz, LCD, DDR, 3 LAN, 2 COM, USB2.0, CompactFlash™, AT/ATX, Rev. A1.0

Optional Accessories

- **1702200205**
Power Cable, 20P ATX(M), 4P 5.08mm Housing(F), +6P 2.0mm Housing, Length 20cm
- **1709100208**
USB Cable, Length 20cm
- **1701100206**
COM Port Cable, 9P DB-Sub Male, Length 20cm
- **1701260200**
Parallel Port Cable, Length 20cm
- **1709140181**
Audio Cable, Length 18cm