



Series X518 Single and Dual Row Collet Sockets with Solder Tail Pins

FEATURES:

- Aries collet sockets are available in single or dual rows.
- Cutable to the number of pins desired to fit the application.
- Side-to-side and end-to-end stackable.

SPECIFICATIONS:

- Body material is black UL 94V-0 Nylon 4/6.
- Pin body is Brass Alloy 360 1/2 hard per UNS C36000 ASTM-B16-85.
- Pin body plating is either 10 μ [.25 μ m] min. Gold per MIL-G-45204 or 200 μ [5.08 μ m] min. 93/7 Tin/Lead per MIL-P-81728 over 100 μ [2.54 μ m] min. Nickel per QQ-N-290.
- 4-fingered collet contact is Beryllium Copper Alloy per UNS C17200 ASTM-B194-92.
- Contact plating is either 150 μ [3.81 μ m] min. 93/7 Tin/Lead per MIL-P-81728 or 10 μ [.25 μ m] min. Gold per MIL-G-45204 over 50 μ [1.27 μ m] min. Nickel per QQ-N-290. Heavy 30 μ [.76 μ m] Gold plating also available.
- Contact current rating=3 Amps.
- Operating temperature=221°F [105°C] Tin plating, =257°F [125°C] Gold plating.
- Insertion Force=180 grams/pin; Withdrawal Force=90 grams/pin; Normal Force=140 grams/pin; based on a .018 [.46] dia. test lead.
- Accepts leads .015-.025 [.38-.64] in diameter.
- Accepts lead lengths from .100 [2.54] min.

MOUNTING CONSIDERATIONS:

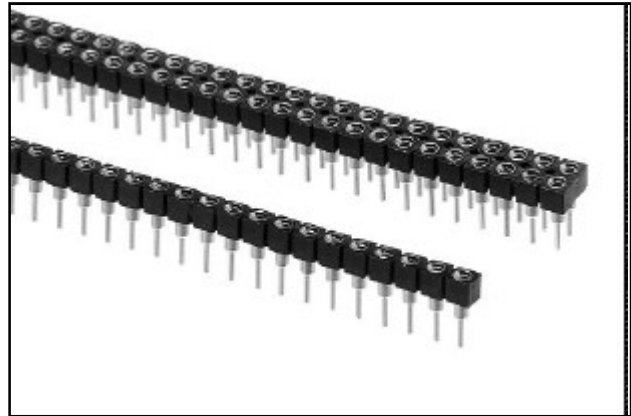
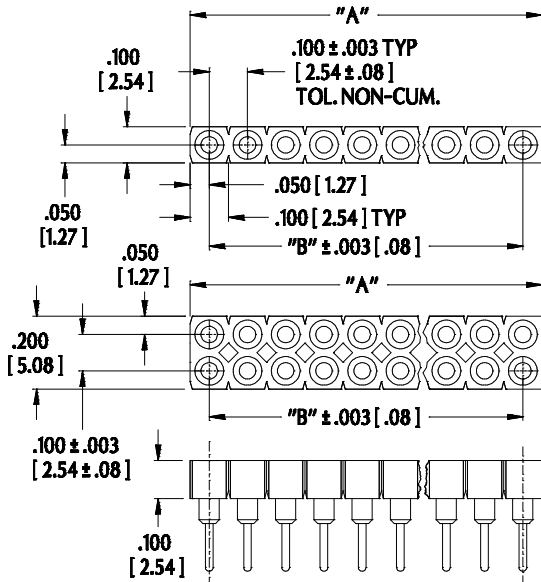
- Suggested PCB hole size=.030 \pm .002 [.76 \pm .05] dia.

ALL DIMENSIONS: INCHES [MILLIMETERS]

All tolerances \pm .005 [.13] unless otherwise specified

"A"=(NO. OF PINS PER ROW) X .100 [2.54]

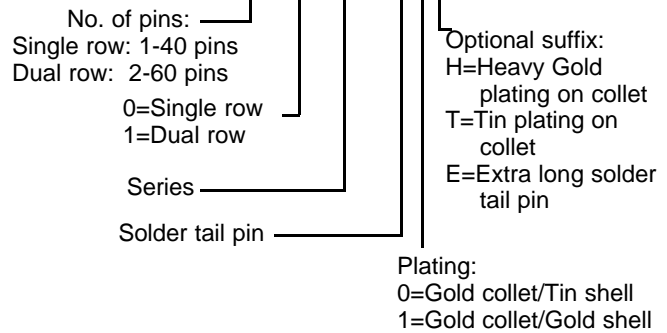
"B"=(NO. OF PINS PER ROW - 1) X .100 [2.54]



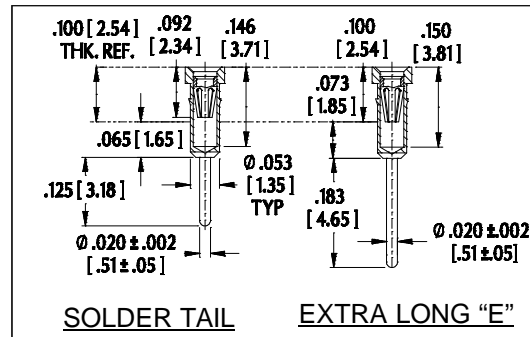
Note: Aries specializes in custom design and production. In addition to the standard products shown on this page, special materials, platings, sizes, and configurations can be furnished, depending on quantities. Aries reserves the right to change product specifications without notice.

ORDERING INFORMATION

XX-X518-1XX



Consult Data Sheet No. 12021 for Series X518 Collet Sockets with wire wrap pins.



ARIES
ELECTRONICS, INC.
<http://www.arieselec.com> • info@arieselec.com

NORTH AMERICA
Frenchtown, NJ USA
TEL: (908) 996-6841
FAX: (908) 996-3891



EUROPE
TEL: +44 870 240 0249
FAX: +44 871 919 6033
europe@arieselec.com

12020
REV.D