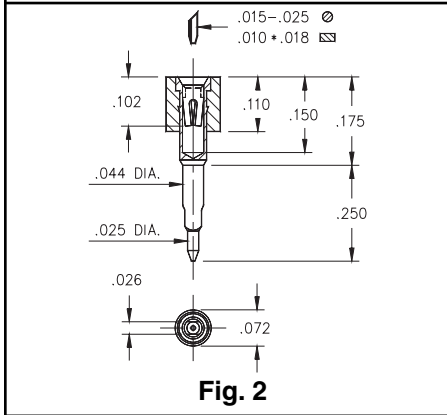


**Fig. 1**

- Unique compliant tail pins conform to the plated thru-hole without stressing the inner layers of a multilayer board.
- Recommended plated thru-hole for 304 series: .036"-.041" use a 1.1mm drill prior to plating. Using M-M# 0477 & 0478 pins.
- For 346 series: .040"±.003" finished plated thru-hole. using M-M# 4612 & 4613 pins. Patent No. 4,799,904.
- Hi-Rel, 4-finger BeCu #30 clip rated at 3 amps. See page 208 for details.



**Ordering Information**



**Fig. 2**

**Series 304...770 SOLDERLESS PRESS-FIT**

(For .062" Thick Boards)

**Fig. 1**

304-13-1\_\_-41-770

Specify # of pins → 01-64

**Series 304...780 SOLDERLESS PRESS-FIT**

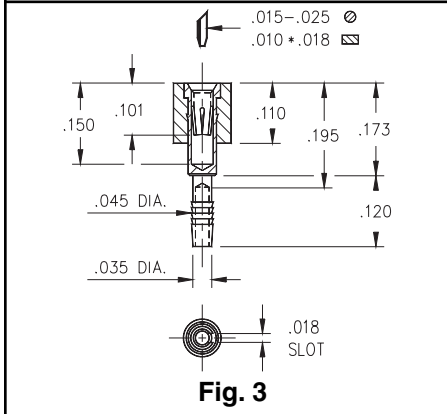
(For .125" Thick Boards)

**Fig. 2**

304-13-1\_\_-41-780

Specify # of pins → 01-64

Series 304...770 and 304...780 are available in plating code 13 only.



**Fig. 3**

**Series 346...012 COMPLIANT SOLDERLESS PRESS-FIT**

(For .060-.100" Thick Boards)

**Fig. 3**

346-XX-1\_\_-41-012

Specify # of pins → 01-64

**Series 346...013 COMPLIANT SOLDERLESS PRESS-FIT**

(For .090-.130" Thick Boards)

**Fig. 4**

346-XX-1\_\_-41-013

Specify # of pins → 01-64

*XX= Plating Code  
See Below*

| SPECIFY PLATING CODE XX= | 13      | 93          | 99          |
|--------------------------|---------|-------------|-------------|
| Sleeve (Pin)             | 10μ" Au | 200μ" Sn/Pb | 200μ" Sn/Pb |
| Contact (Clip)           | 30μ" Au | 30μ" Au     | 200μ" Sn/Pb |