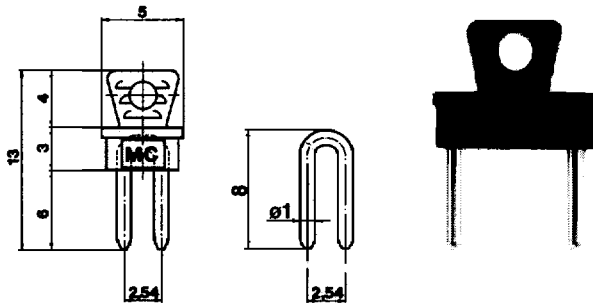


Part No.	Type	Nominal diameter	Withdraw. force	Rated current	Contact resistance
----------	------	------------------	-----------------	---------------	--------------------

24.0036 KSI 1-2.54
24.0030 KS 1-2.54



1 mm - ≈ 20 A -

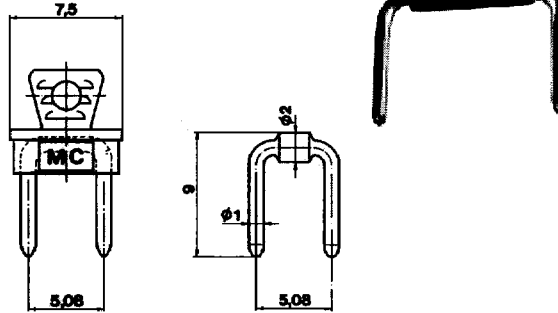
Male jumper 1 mm (.040 in) dia. pins, made of brass, formed, gold plated and polyamide insulated.

Center distance: 2.54 mm (.100 in)
..... or 5.08 mm (.200 in)
..... or 6.35 mm (.250 in)

• Operating temperature -40°C to +80°C
(-40°F to +176°F)

Colors: 22, 23, 24, 28 (insulated types only)

24.0037 KSI 1-5.08
24.0031 KS 1-5.08

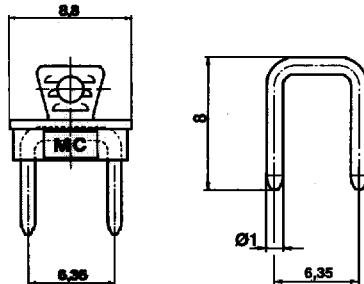


Male jumper 1 mm (.040 in) dia. pins, made of brass, formed, gold plated and polyamide insulated.

Non-insulated, center distances

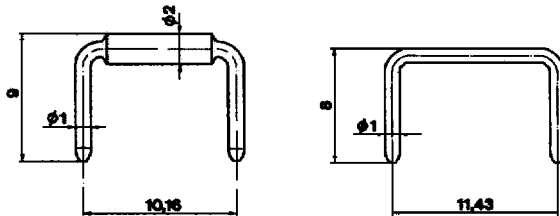
2.54 mm (.100 in)	KS 1-2.54, # 24.0030
5.08 mm (.200 in)	KS 1-5.08, # 24.0031
6.35 mm (.250 in)	KS 1-6.35, # 24.0035
10.16 mm (.400 in)	KS 1-10.16, # 24.0032
11.43 mm (.450 in)	KS 1-11.43, # 24.0071
15.24 mm (.600 in)	KS 1-15.24, # 24.0033
20.32 mm (.800 in)	KS 1-20.32, # 24.0034

24.0038 KSI 1-6.35
24.0035 KS 1-6.35

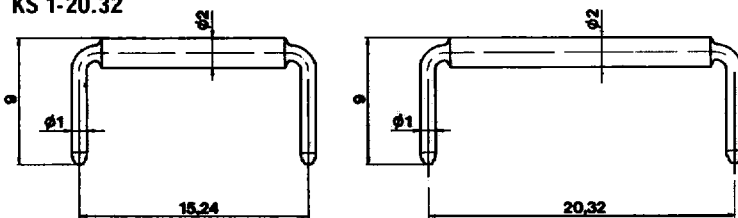


Matching 1 mm (.040 in) dia. PCB sockets and jacks.

24.0032 KS 1-10.16
24.0071 KS 1-11.43



24.0033 KS 1-15.24
24.0034 KS 1-20.32



2:1

20 - green/yellow 21 - black 22 - red 23 - blue 24 - yellow 25 - green 26 - violet 27 - brown 28 - gray 29 - white 33 - transparent

