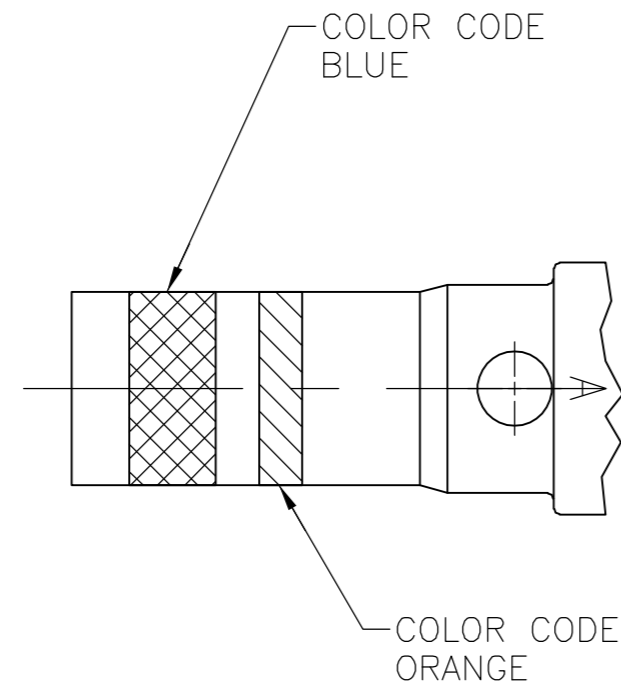
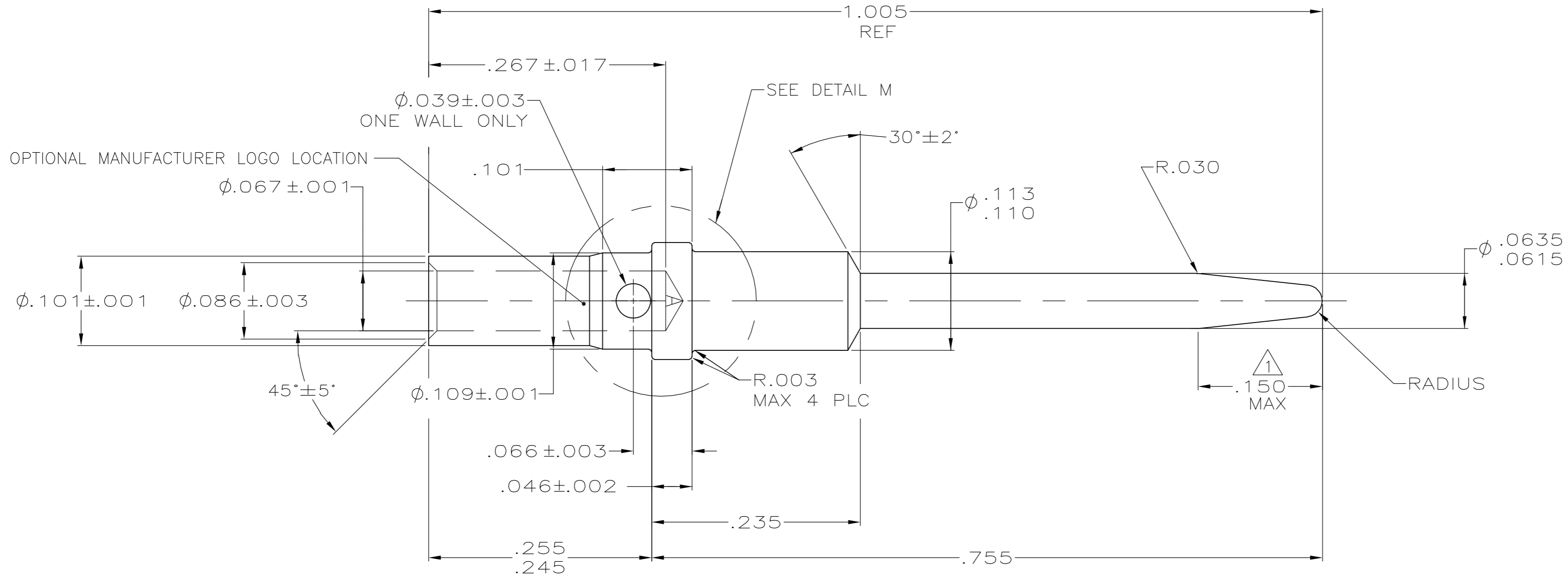


THIS DRAWING IS UNPUBLISHED. RELEASED FOR PUBLICATION  
 © COPYRIGHT BY TYCO ELECTRONICS CORPORATION. ALL RIGHTS RESERVED.

| LOC |     | DIST        |                         | REVISIONS |      |    |  |
|-----|-----|-------------|-------------------------|-----------|------|----|--|
| P   | LTR | DESCRIPTION | DATE                    | DWN       | APVD |    |  |
| DF  | A0  | F           | REV PER EC 0H14-0154-04 | 24JAN06   | TK   | CT |  |

- ① ELECTRICAL ENGAGEMENT POINT
- ② AS SHOWN
- ③ SAME AS -2 EXCEPT:  
COLOR CODE PER DETAIL Z



DETAIL Z  
(APPLIES TO -3 ONLY)

|             |             |
|-------------|-------------|
| OBSELETE    | 208268-5    |
| ③           | 208268-3    |
| ②           | 208268-2    |
| DESCRIPTION | PART NUMBER |

|   |  |                  |              |          |   |
|---|--|------------------|--------------|----------|---|
| THIS DRAWING IS A CONTROLLED DOCUMENT.  |  | DWN              | C.C.THOMAS   | 8-20-04  | Tyco Electronics Corporation<br>Harrisburg, PA 17105-3608 |
| DIMENSIONS: INCHES  |  | CHK              | S.GLATFELTER | 8-20-04  |   |
| TOLERANCES UNLESS OTHERWISE SPECIFIED:  |  | APVD             | S.GLATFELTER | 8-20-04  |   |
| 0 PLC ± -<br>1 PLC ± -<br>2 PLC ± -<br>3 PLC ± .005 [0.13]<br>4 PLC ± -<br>ANGLES ± - |  | PRODUCT SPEC     | NAME         |          | PIN CONTACT, SIZE 16<br>ARINC 600 TYPE                    |
| MATERIAL: COPPER ALLOY  |  | APPLICATION SPEC | SIZE         |          |   |
| FINISH: GOLD PER ASTM-B-488 OVER NICKEL PER QQ-N-290                                  |  | WEIGHT           | CAGE CODE    |          | DRAWING NO  |
| CUSTOMER DRAWING  |  | A2 00779         |              | C=208268 | RESTRICTED TO   |
| SCALE 10:1  |  | SHEET 1 OF 1     |              | REV F    |   |