

4

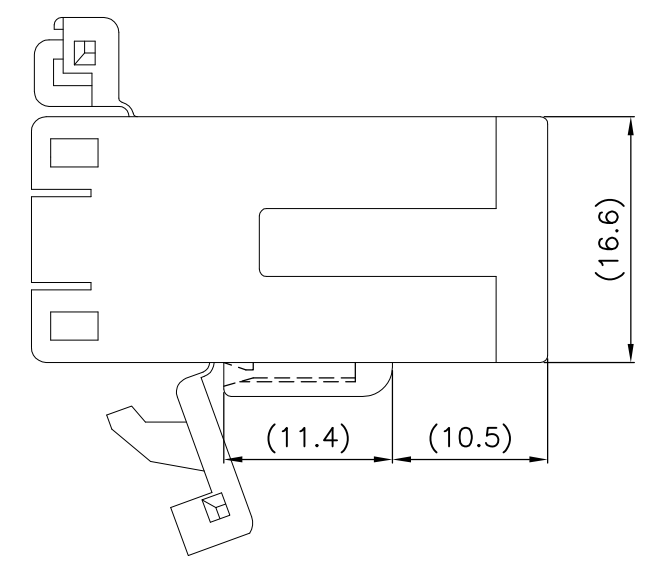
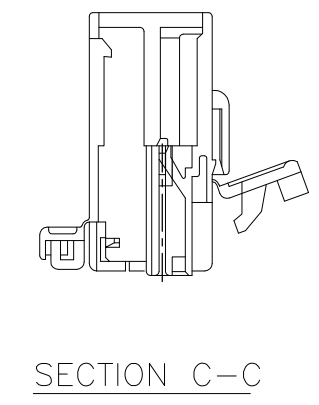
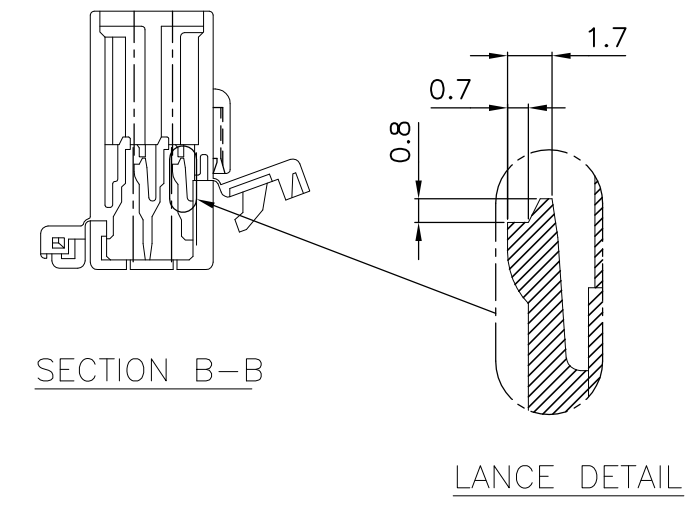
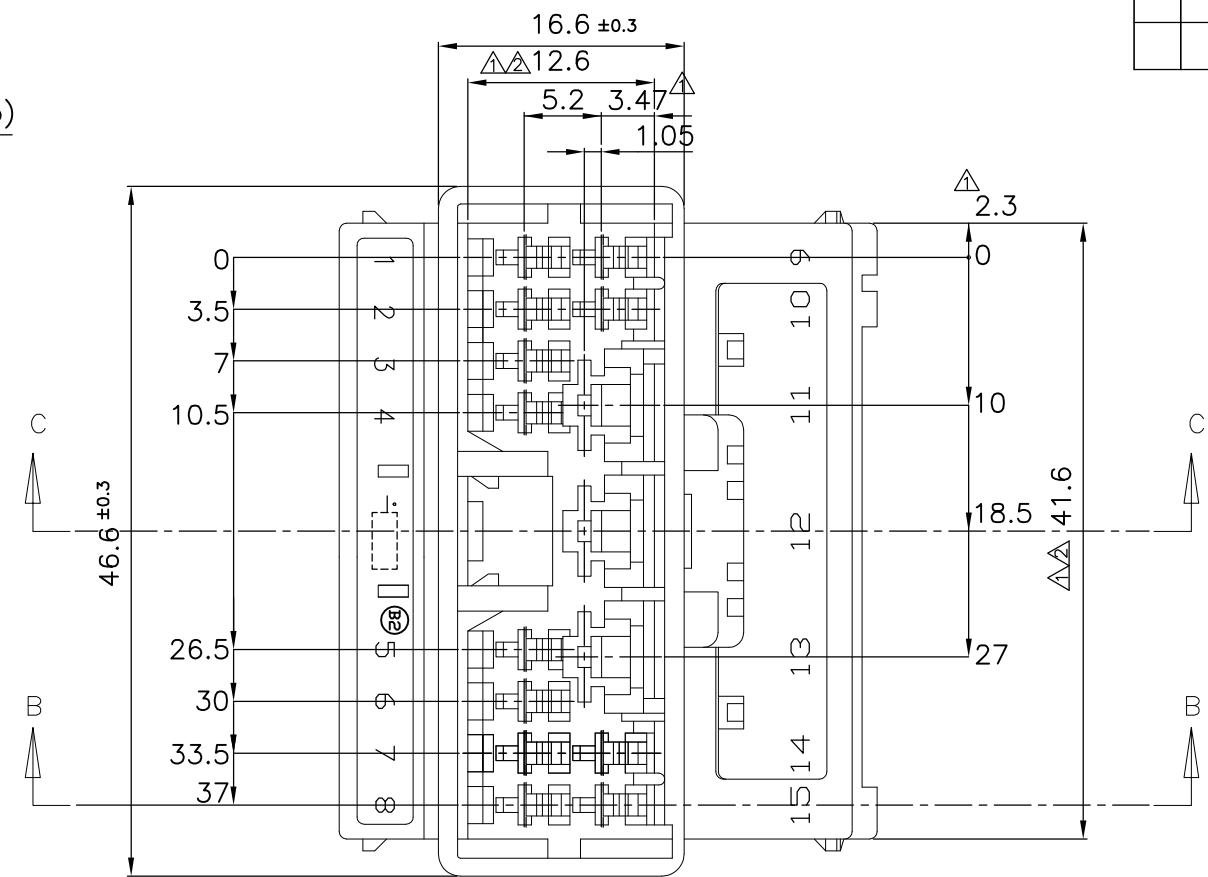
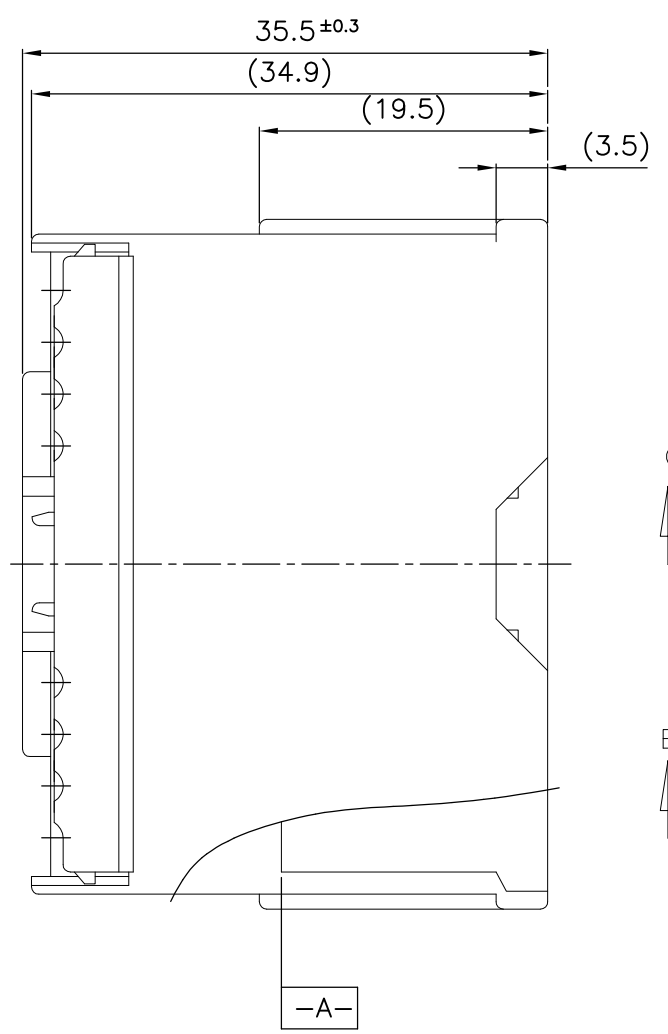
3

2

1

THIS DRAWING IS UNPUBLISHED. RELEASED FOR PUBLICATION ,19 .
 © COPYRIGHT 19 BY AMP INCORPORATED. ALL RIGHTS RESERVED.

LOC	DIST	REVISIONS					
		P	LTR	DESCRIPTION	DATE	DWN	APVD
DS			A	REVISED(FC00-0058-98)	13/AUG/'98	HS	CS
			B	REVISED(FC00-0063-03)	09/MAY/'03	YD	CS
			B1	REVISED(ECR-06-006063)	15/MAR/'06	GC	JK
			B2	REVISED(ECR-10-019916)	28/SEP/'10	SJ	HG



NOTE
 ▲ MUST BE KEPT BETWEEN [A] AND 2.
 ▲ TO BE MATED WITH REC HSG SMOOTHLY
 3. APPLIED TAB CONTACT PART NUMBERS
 . 070 SERIES : 173633, 173645
 . 250 SERIES : 170340, 170341, 170349
 4. APPLIED PLUG HSG P/N; 85113
 ⓑ ▲ THESE ARE FOR LOCAL CUSTOMER WITH POLY BAG/MID BOX/OUT BOX.
 ⓑ ⓑ ▲ THIS IS FOR EXPORT WITH TRAY/OUT BOX.

ⓑ	P/N	REV.	MATERIAL	COLOR	PACKING
ⓑ	1-85114-5	A	P.B.T	BLUE	▲
ⓑ	1-85114-2	F	P.B.T	BLACK	▲
ⓑ	0-85114-5	F	P.B.T	BLUE	▲
ⓑ	0-85114-2	F	P.B.T	BLACK	▲
ⓑ	0-85114-1	F	P.B.T	WHITE	▲

THIS DRAWING IS A CONTROLLED DOCUMENT FOR AMP INCORPORATED. IT IS SUBJECT TO CHANGE AND THE CONTROLLING ENGINEERING ORGANIZATION SHOULD BE CONTACTED FOR THE LATEST REVISION.		DWN SJ CHOI	Tyco Electronics Kyungsan, Korea		
DIMENSIONS: MM		CHK JW JUNG			
TOLERANCES UNLESS OTHERWISE SPECIFIED: 0<XX<10 ±0.2 10<XX<30 ±0.25 30<XX ±0.3 ANGLES ±3°		APVD HG CHD	NAME		
3rd ANGLE PROJECTION		PRODUCT SPEC	.070/.250 HYBRID 15P CAP HSG		
MATERIAL SEE TABLE		APPLICATION SPEC	SIZE	CAGE CODE	DRAWING NO
FINISH		WEIGHT	A3	00779	85114
CUSTOMER DRAWING			SCALE 2/1	SHEET 1 OF 1	REV B2