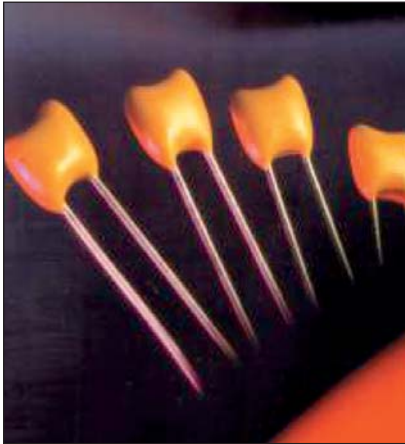


Radial Ledged High Temperature Automotive **AVX**

150°C Rated Radial Ledged TransGuard®



GENERAL DESCRIPTION

AVX High Temperature Multi-Layer Varistors are designed for underhood applications. Products have been tested, qualified, and specified to 150°C. The Radial Ledged TransGuard is built for durability in harsh environments. The MLV advantage is EMI/RFI attenuation in the off state. This allows designers to combine the circuit protection and EMI/RFI attenuation function into a single highly reliable device.

FEATURES

- Rated at 150°C
- AEC Q200 qualified
- ESD rated to 25kV (HBM ESD Level 6)
- EMI/RFI attenuation in off state
- Excellent current and energy handling

APPLICATIONS

- Under hood
- Down Hole Drilling
- Any high temperature application

HOW TO ORDER

VR15 AVX Style	AT Series AT = 150°C Automotive	18 Voltage 18 = 18V	A Energy A = 0.1J	650 Clamping Voltage 650 = 67V	R Leads R = RoHS Compliant	TR2 Packaging TR2 - T&R Standard 2
--------------------------	---	----------------------------------	--------------------------------	--	--	--

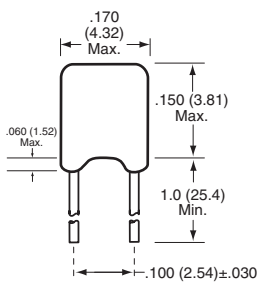


AVX Part Number	V _w (DC)	V _w (AC)	V _B	V _C	E _T	I _P	I _L	Jump Start	Cap
VR15AT18A650R	18	13	41 ± 10%	67	0.1	30	10	29	90

V_w(DC) DC Working Voltage [V]
 V_w(AC) AC Working Voltage [V]
 V_B Breakdown Voltage [V @ 1mA_{DC}]
 V_C Clamping Voltage [V @ 1A]

I_L Maximum leakage current at the working voltage [µA]
 E_T Transient Energy Rating [J, 10x1000µS]
 I_P Peak Current Rating [A, 8x20µS]
 Cap Capacitance [pF] @ 1KHz specified and 0.5V_{RMS}
 Jump Start Max V

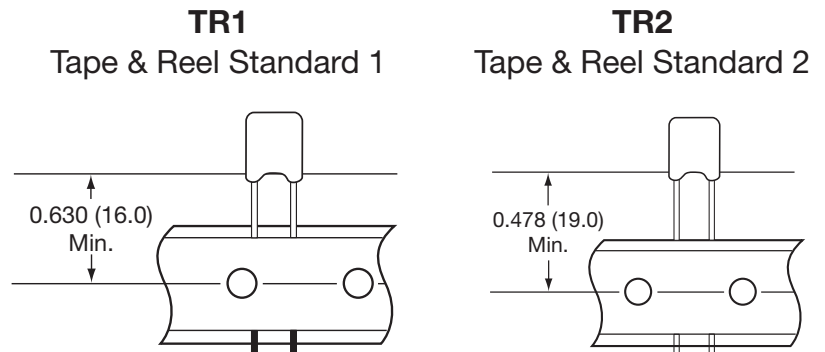
PHYSICAL DIMENSIONS



mm (inches)

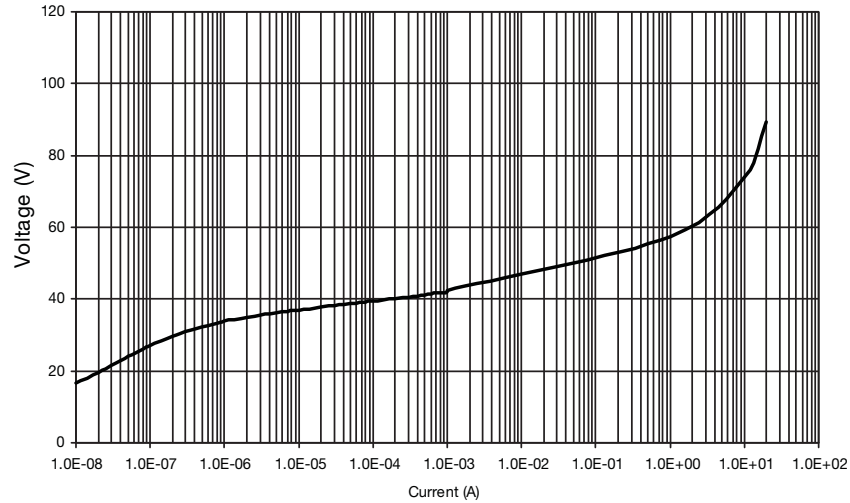
Width	Height	Thickness	Lead Spacing	Lead Diameter
4.32 Max. (0.170)	3.81 (0.150)	2.54 (0.100)	2.54 (0.100)	0.508 (0.020)

TAPE & REEL PACKAGING OPTIONS

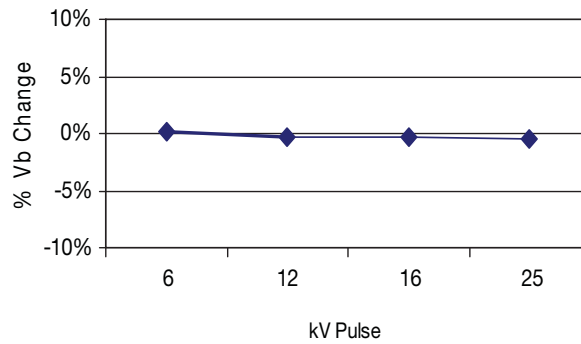


TYPICAL PERFORMANCE CURVES

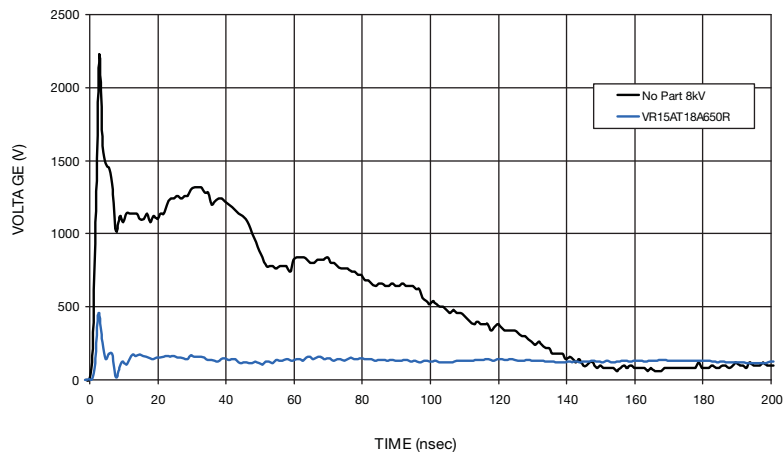
Voltage/Current Characteristics



AEC-Q200-002 ESD Characteristics



ESD Wave Absorption Characteristics



8 kV ESD Vc
(150pF/330ohm IEC Network)