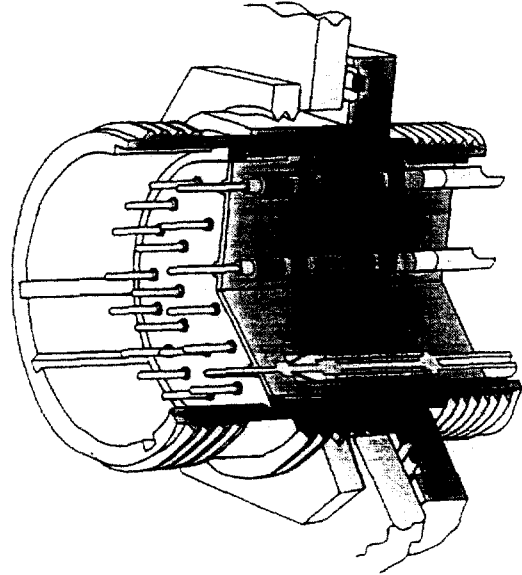
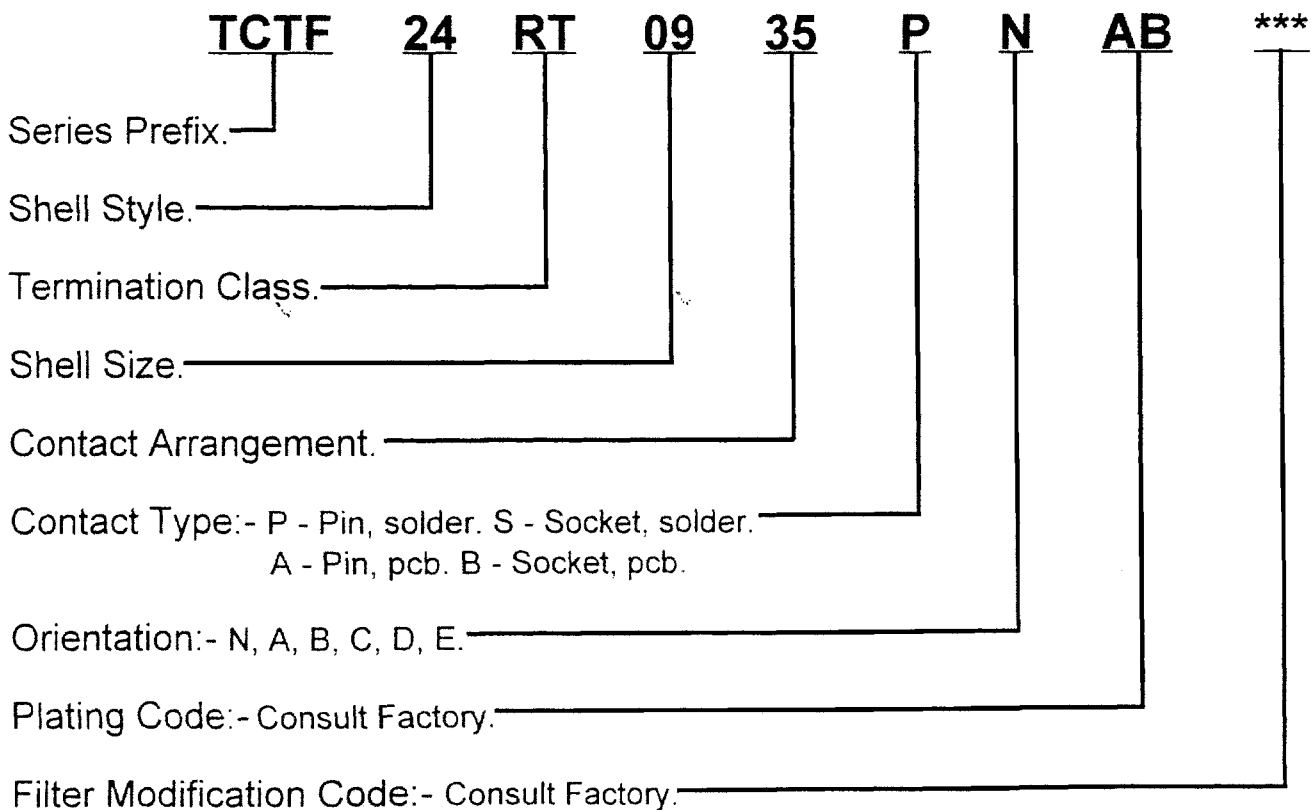


Mil-C-38999 Series III Filter Connectors.

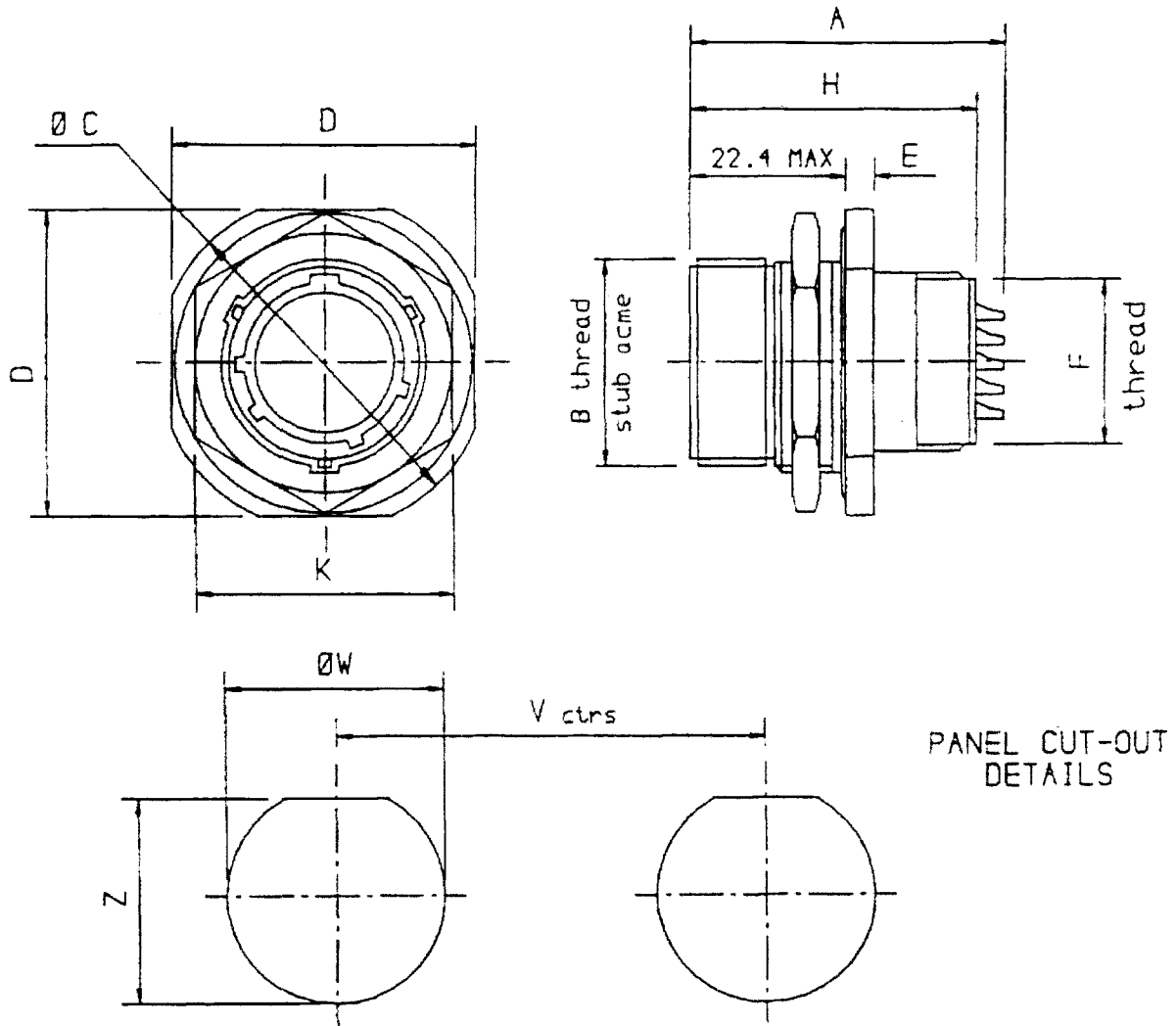
- * Intermateable with Mil-C-38999 Series III connectors.
- * Tubular or planar technology.
- * Higher reliability and greater durability with permanently encapsulated contacts.
- * Up to 128 contacts.
- * Connectors use proven filter technology.
- * Solder bucket or printed circuit terminations.



Ordering Information



Style:- 24 Jam Nut Filter Receptacle. with External Accessory Thread



Shell size	A max	B Thread inch	C max	D max	E max	F Thread	H max	K max	Panel Thickness max	min	v	w	z
09	40.6	0.625	30.5	27.3	2.8	M12 x 1.0	39.6	22.6	3.2	1.6	28.0	17.8	16.9
11	40.6	0.750	35.2	32.1	2.8	M15 x 1.0	39.6	32.8	3.2	1.6	32.8	21.0	19.4
13	40.6	0.875	38.4	35.2	2.8	M18 x 1.0	39.6	35.9	3.2	1.6	35.9	25.7	24.1
15	40.6	1.000	41.6	38.4	2.8	M22 x 1.0	39.6	39.2	3.2	1.6	39.2	28.9	27.4
17	40.6	1.1875	44.8	41.6	2.8	M25 x 1.0	39.6	43.0	3.2	1.6	43.0	32.2	30.6
19	40.6	1.250	49.5	46.3	3.6	M28 x 1.0	39.6	47.8	3.2	1.6	47.8	35.3	33.8
21	40.6	1.375	52.7	49.5	3.6	M31 x 1.0	39.6	50.8	3.2	1.6	50.8	38.4	36.9
23	40.6	1.500	55.9	52.7	3.6	M34 x 1.0	39.6	54.2	3.2	1.6	54.2	41.6	40.1
25	40.6	1.625	59.0	55.9	3.6	M37 x 1.0	39.6	57.6	3.2	1.6	57.6	44.8	43.3

All dimensions in mm unless otherwise stated