

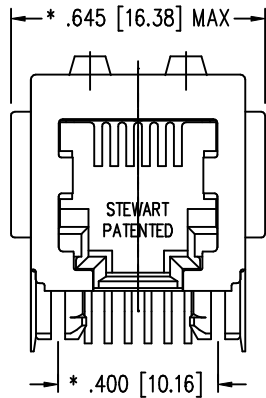
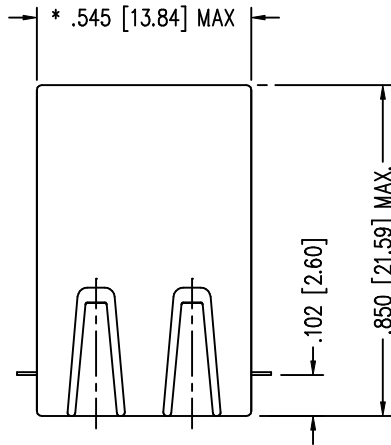
STEWART CONNECTOR SYSTEMS, INC.

THIS DRAWING AND THE SUBJECT MATTER SHOWN THEREON ARE CONFIDENTIAL AND THE PROPRIETARY PROPERTY OF STEWART CONNECTOR SYSTEMS AND SHALL NOT BE REPRODUCED, COPIED OR USED IN ANY MANNER WITHOUT THE PRIOR WRITTEN CONSENT OF STEWART CONNECTOR SYSTEMS, INC.

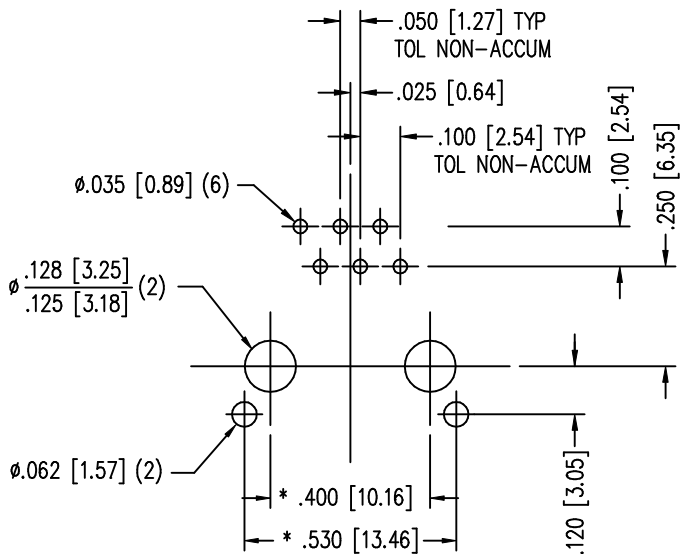
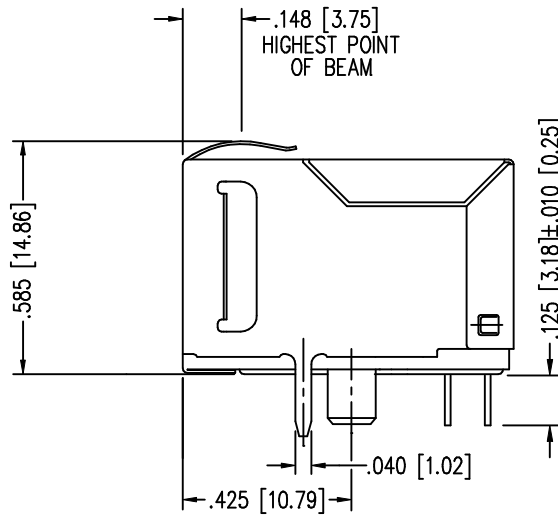
R.D. 2, BOX 2020 GLEN ROCK, PENNSYLVANIA 17327

PART NUMBERS: SS-6466S-A-PGFLS-1-BB (30 MICROINCHES GOLD)
 SS-6466S-A-PGFLS-1-BB-50 (50 MICROINCHES GOLD)

EMI-RFI ONE PIECE SHIELDED, ESD GROUNDED, 6 X 6 JACK
 "-PGFLS" DESIGNATES ENHANCED SHIELD WITH PANEL STOPS
 "-BB" DESIGNATES INCLUSION OF TOP PANEL GROUNDS



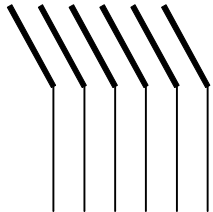
For Reference
Only



- NOTES:
- TOLERANCES COMPLY WITH F.C.C. DIMENSION REQUIREMENTS
 - DIMENSIONS SHOWN WITH "*" TO BE CENTRAL ABOUT CENTER LINE
 - DIMENSIONS SHOWN ARE SUBJECT TO CHANGE WITHOUT NOTICE.

AVAILABLE WITH:
 -30 & 50 MICRO-INCH SELECTIVE GOLD PLATING
 -LOADED WITH 1- 6 CONTACTS

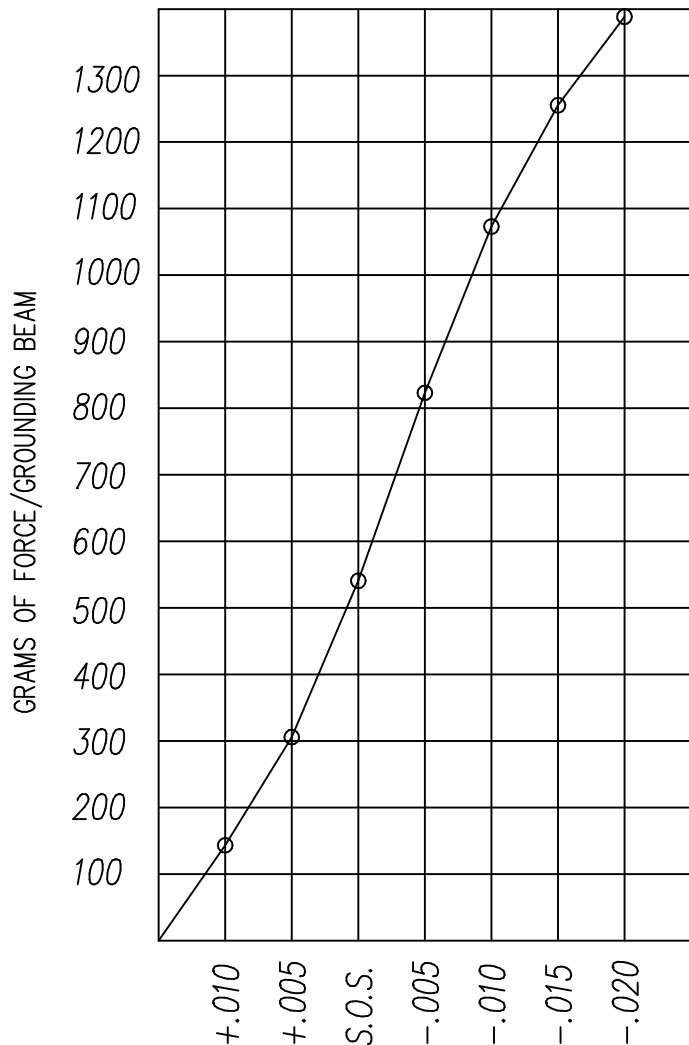
P.C.B. RECOMMENDED HOLE LAYOUT
 SEEN FROM COMPONENT SIDE
 TOLERANCE ±.003 [0.08] UNLESS OTHERWISE SPECIFIED



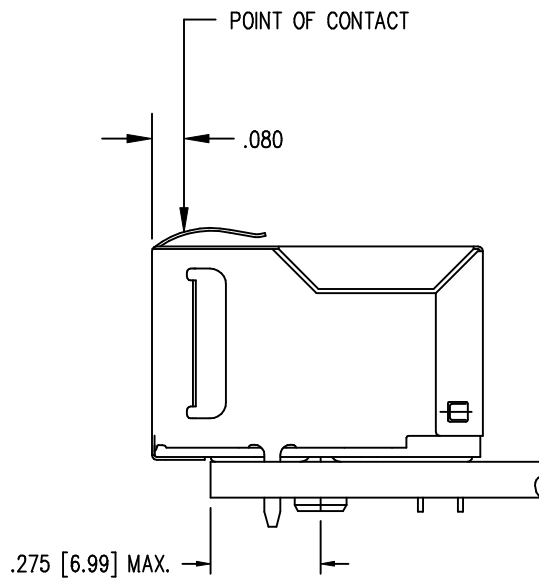
STEWART CONNECTOR SYSTEMS, INC.

R.D. 2, BOX 2020 GLEN ROCK, PENNSYLVANIA 17327

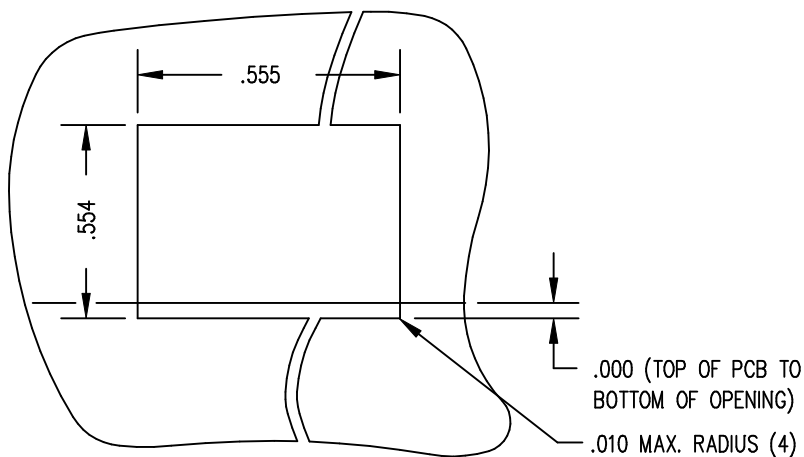
PART NUMBERS: SS-6466S-A-PGFLS-1-BB (30 MICROINCHES GOLD)
SS-6466S-A-PGFLS-1-BB-50 (50 MICROINCHES GOLD)



PANEL GROUNDING BEAM DEFLECTION
S.O.S. = SUGGESTED OPENING SIZE



THE SUGGESTED PANEL OPENING IS INTENDED TO GIVE THE USER THE ABILITY TO HAVE REASONABLE JACK/PANEL CLEARANCES YET MAINTAIN RELIABLE GROUNDING CAPABILITY. THESE VARIABLES CAN BE ADJUSTED IN EITHER DIRECTION BUT MAY CARRY SOME CONSEQUENCES IN THE FORM OF LOWER MATING FORCES OR TIGHTER ASSEMBLY TOLERANCES. FORCE VALUES ON THE GRAPH ARE GENERAL AVERAGES TAKEN AT THE POINT OF CONTACT SHOWN ABOVE. THE SUGGESTED PANEL OPENING INCLUDES APPROXIMATELY .020 CLEARANCE ON THE SIDES AND TOP AND .005 ON THE BOTTOM.



SUGGESTED PANEL OPENING

For Reference
Only