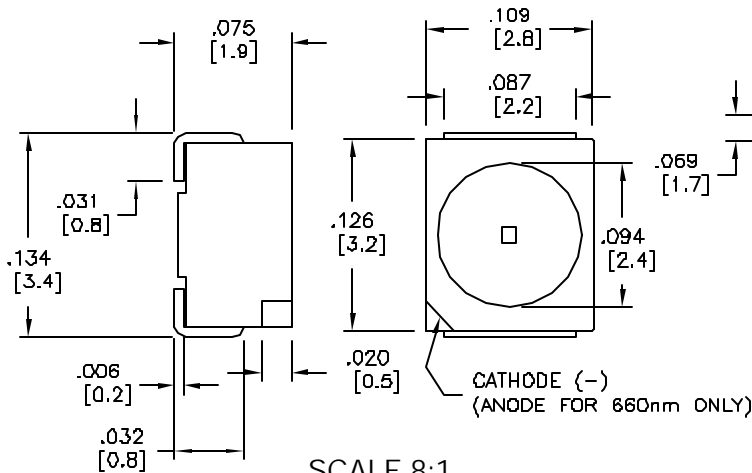


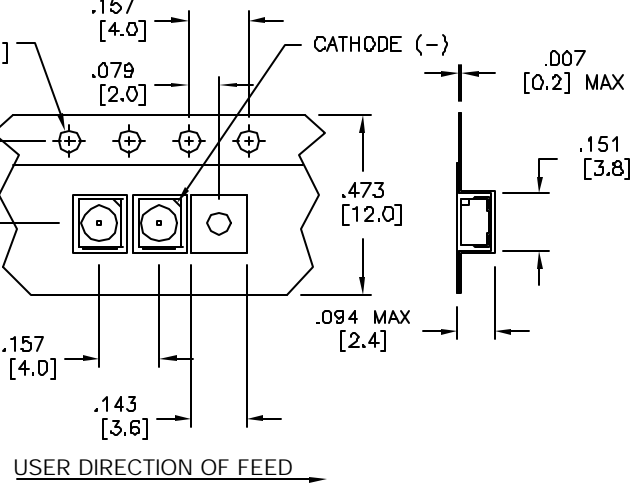
Actual Size



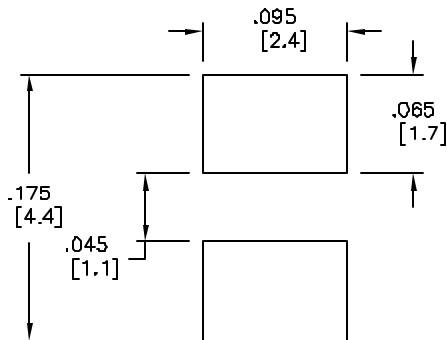
LTR	REVISION	DATE	APPD
D	REVISED PER ECR 120400-SB01	12-04-00	CM
E	REVISED PER ECR 122700-CM03	12-27-00	CM
F	REVISED PER ECR 011201-RM01	01-12-01	CM



SCALE 8:1

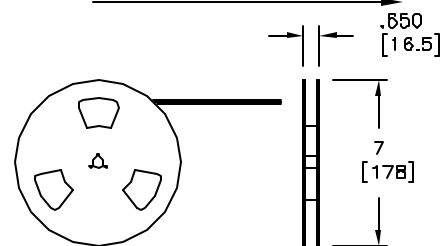


USER DIRECTION OF FEED



SUGGESTED PAD LAYOUT

USER DIRECTION OF FEED



NOTES:

- 7 INCH REEL - 2000 PIECES PER REEL
- ALL DIMS ARE IN INCHES (MILLIMETERS).
- TOLERANCE IS $\pm 0.010"$ ($\pm 0.25\text{mm}$) UNLESS OTHERWISE SPECIFIED.
- SPECIFICATIONS ARE SUBJECT TO CHANGE WITHOUT NOTICE.
- LEADS TO BE SOLDERABLE AND CAPABLE OF MEETING THE SOLDERABILITY REQUIREMENTS OF MIL-STD-202, METHOD 208.
- MANUFACTURE DATE SHALL NOT BE OLDER THAN 26 WEEKS.
- TAPE AND REEL TO BE IN ACCORDANCE WITH STANDARD EIA-481-A

LEDTRONICS PART NO.	L.E.D. RADIATION COLOR	L.E.D. APPEARANCE	ABSOLUTE MAXIMUM RATINGS ($T_c=25^\circ\text{C}$)					ELECTRO-OPTICAL CHARACTERISTICS ($T_c=25^\circ\text{C}$)						
			Pd mW	I _{fp} mA	I _f mA	V _r V	T _{opr} (°C)	I _f mA	I _v med typ	V _f =V typ/max	VIEW ANGLE 2θ1/2	I _r max μA	Δλ nm	λ _{Peak} nm
SML10R6T-TR	ULTRA RED	CLEAR WATER	60	150	30	5	-40 TO +85	20	150	1.8/2.5	120	100	20	660
SML10R3KT-TR	ULTRA RED	CLEAR WATER	80	150	30	5	-40 TO +85	20	65	2.0/2.6	120	100	20	660
SML10R4T-TR	HI-EFF RED	CLEAR WATER	100	150	30	5	-40 TO +85	20	14.5	2.0/2.6	120	100	45	635
SML10Q3KT-TR	ULTRA ORANGE	CLEAR WATER	100	150	30	5	-40 TO +85	20	72	2.0/2.6	120	100	17	620
SML10Q4T-TR	ORANGE	CLEAR WATER	100	150	30	5	-40 TO +85	20	14	2.0/2.6	120	100	35	610
SML10Y3KT-TR	ULTRA YELLOW	CLEAR WATER	100	150	30	5	-40 TO +85	20	72	2.0/2.6	120	100	15	588
SML10Y3KHT-TR	ULTRA YELLOW	CLEAR WATER	100	150	30	5	-40 TO +85	20	350	2.0/2.6	120	100	15	588
SML10Y4T-TR	YELLOW	CLEAR WATER	100	150	30	5	-40 TO +85	20	12	2.1/2.6	120	100	35	585
SML10G5T-TR	HI-EFF GREEN	CLEAR WATER	100	150	30	5	-40 TO +85	20	20	2.2/2.6	120	100	30	568
SML10G4T-TR	HI-EFF GREEN	CLEAR WATER	100	150	30	5	-40 TO +85	20	18	2.2/2.6	120	100	30	568
SML10PG4T-TR	PURE GREEN	CLEAR WATER	100	150	30	5	-40 TO +85	20	8	2.2/2.6	120	100	25	555
SML10UB500T-TR	ULTRA BLUE	CLEAR WATER	100	150	30	5	-40 TO +85	20	12	3.6/5.0	120	100	65	430
SML10PB1KT-TR	SUPER BLUE	CLEAR WATER	100	150	30	5	-40 TO +85	20	70	3.5/4.0	120	100	30	470
SML10CW2KT-TR	COOL WHITE	CLEAR WATER	100	150	30	5	-40 TO +85	20	125	3.5/4.5	120	100	-	8000K

T_{stg}: -40°C TO +100°C

PREHEATING TEMP: 100°C TO 150°C WITHIN 2 MINUTES

SOLDERING TEMP: 240°C TO 250°C WITHIN 5 SECONDS

CHROMATICITY COORDINATES FOR SML10CW2KT-TR: X=0.30, Y=0.29



PROPRIETARY.
This document contains Proprietary Information of LEDTRONICS, INC.
It may not be copied, used or disclosed for any purpose without the prior express written consent of LEDTRONICS, INC.

JXX ± .010 TOLERANCE PER ANSI-Y14.5
.XX ± .025 (UNLESS OTHERWISE STATED)
ANGLES ± 0°.30°
FRACT. ± 1/32

TITLE			
SML10XXT-TR			
DWG NO	SCALE	SHEET	DATE
DSTR0009	2:1	1 OF 1	01-31-96
CODE IDENT NO.	DWG BY	CHK BY	QA
8Z410	JCH	PL	
MFG	CUSTOMER		