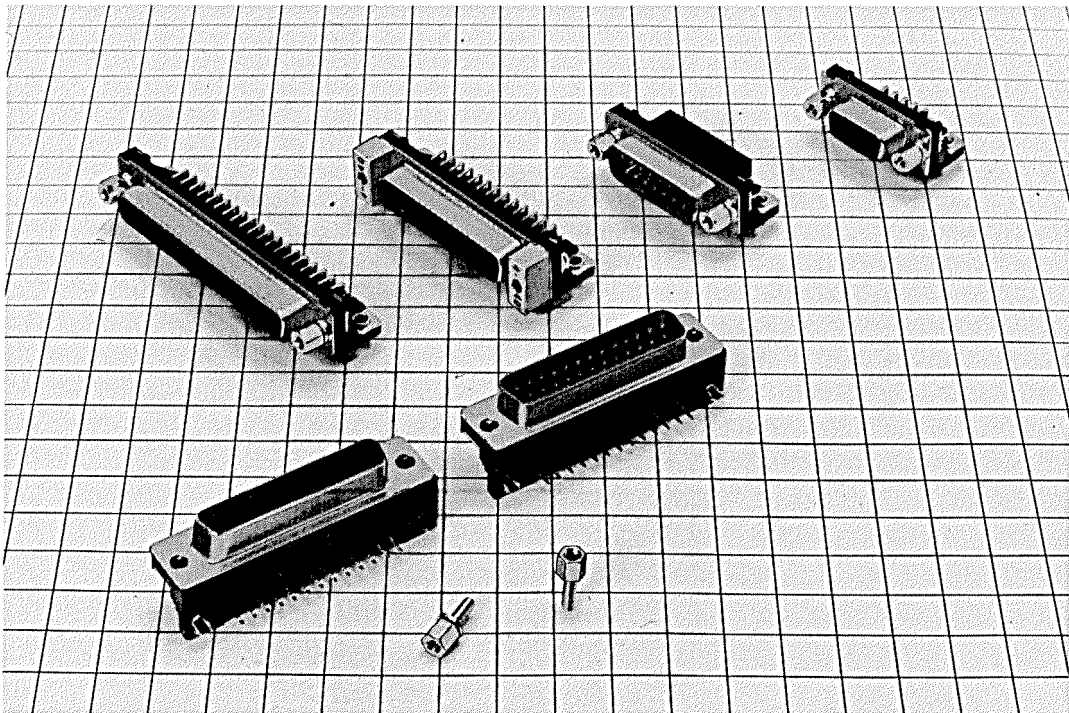


# RD✕D SERIES RIGHT-ANGLE TYPE CONNECTORS

## General

The RD✕D Series use a molded one-piece design for parallel mounting on a PCB. Designed to be directly connected to the circuits in PCBs, the RD✕D Series is

suitable for labor-saving in connection work and enhancing the reliability of wiring. 9, 15, 25, and 37-contact models available.



## Features

- (1) Compact and sturdy due to a metal shell.
- (2) Simple construction of RD type single mold.
- (3) Offers direct parallel mounting on PCBs in high density and easily connectable to a cable plug.
- (4) Saves plating contact with gold and PCB-contacting parts with solder.
- (5) A wide variety of combinations available, such as dip soldering (HD), crimping (CD), and ribbon IDC termination (FD).
- (6) Uses insulation of highly heat-resistant and chemical-resistant UL synthetic resin.
- (7) Meets your application requirements with a variety of accessories.

## Applications

Most suitable for modems in communications equipment such as computers, peripherals and terminals,

control equipment, measuring instruments, and export equipment.

# Electrical and Environmental

Electrical and Environmental Characteristics	
Current capacity	3A
Rated voltage	AC350V
Insulation resistance	5000MΩ or higher at DC500V
Contact resistance	25m Ω or less at AC100mA
Withstand voltage	1 minute at AC1250Vrms

Material and finish		
Shell	Steel	Treatment with dichromate over zinc plating
		Zinc, Nickel or Tin plating
		Solder plating
Insulator	PBT *	Black
Contacts	Phosphor bronze	Nickel plating + Gold plating Partly gold-plated over solder plating

\*UL94V-0

## Ordering Informations

### ● Lock-free Type

RD B D - 25 S (4-40)  
 (1) (2) (3) (4) (5) (9)

### ● Type with rectangular bracket to secure lock

RD B D - 25 S A-LN(4-40)  
 (1) (2) (3) (4) (5) (6) (7)

### ● Type with hexagon bracket to secure lock

RD B D - 25 S A-LNA(4-40) (05)  
 (1) (2) (3) (4) (5) (6) (7) (8)

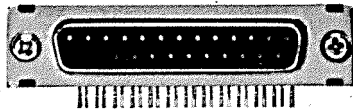
### ● Lock retrofitting Type

RD B D - 25 S E1/M2.6 (05)  
 (1) (2) (3) (4) (5) (6) (8)

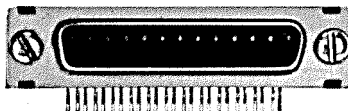
- (1) Model number symbol RD: D sublight-angle type
- (2) Shell size: E, A, B and C
- (3) Serial symbol by type of connector unit: D
- (4) Number of poles: 9, 15, 25 and 37
- (5) Terminal opening shape symbol  
S: female terminal P: male terminal
- (6) Substrate Mounting Configuration (grounding hardware configuration)  
No symbol: M3×0.5  
A: φ3×3.2 pierced hole  
E: With simple lock pin to tack substrate (1.6-mm thick)  
E1/M2.6: locker-recipient screw M2.6 with simple lock pin to tack substrate (1.6-mm thick)

- (7) Lock Nuts  
 Rectangular { LN: M2.6×0.45  
 LN(4-40): No.4-40 UNC  
 Hexagonal { LNA: M2.6×0.45  
 LNA(4-40):No.4-40UNC
- (8) No symbol: Treated with dichromate after galvanization  
(05): Nickel-plated shell
- (9) Type of mounting screws  
No symbol: M2.6×0.45  
(4-40):No.4-40 UNC

# Standard/No Insert



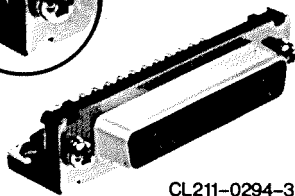
Metric thread



#4-40 thread

## Dimensions

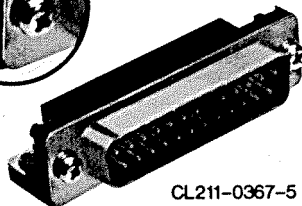
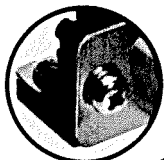
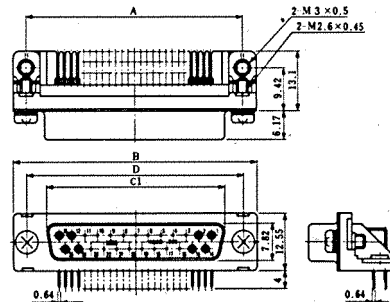
No. of Pin	A	B	C <sub>1</sub>	C <sub>2</sub>	D	E
9	24.99	30.81	16.4	16.9	24.99	8.34
15	33.32	39.14	24.59	25.24	33.32	8.34
25	47.04	53.04	38.3	39.01	47.04	8.4
37	63.5	69.32	54.76	—	63.5	—



CL211-0294-3  
RDBD-25S

Panel-mounting threaded holes: M2.6 × 0.45 (metric)  
Ground terminal (PCB-mounting): M3 × 0.5

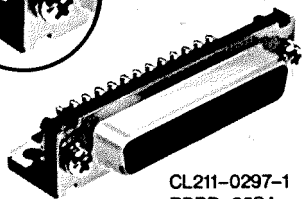
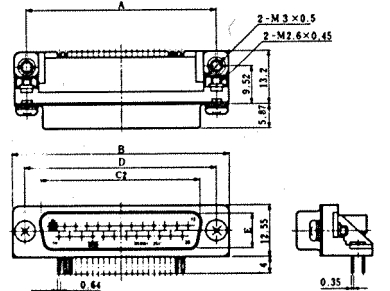
HRS No.	No. of Pin	Part No.
CL211-0312-3	9	RDED-9S
CL211-0312-3-05		RDED-9S(05)
CL211-0315-1	15	RDAD-15S
CL211-0315-1-05		RDAD-15S(05)
CL211-0294-3	25	RDBD-25S
CL211-0294-3-05		RDBD-25S(05)
CL211-0318-0	37	RDCD-37S



CL211-0367-5  
RDBD-25P

Panel-mounting threaded holes: M2.6 × 0.45 (metric)  
Ground terminal (PCB-mounting): M3 × 0.5

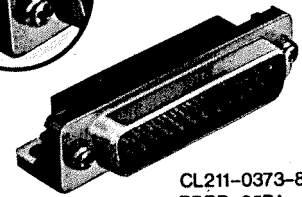
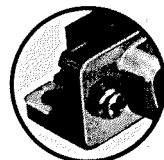
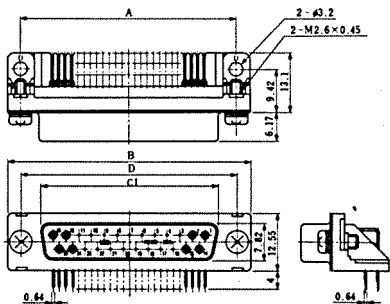
HRS No.	No. of Pin	Part No.
CL211-0475-8	9	RDED-9P
CL211-0475-8-05		RDED-9P(05)
CL211-0496-8	15	RDAD-15P
CL211-0496-8-05		RDAD-15P(05)
CL211-0367-5	25	RDBD-25P



CL211-0297-1  
RDBD-25SA

Panel-mounting threaded holes: M2.6 × 0.45 (metric)  
Ground terminal (PCB-mounting): Through-holes

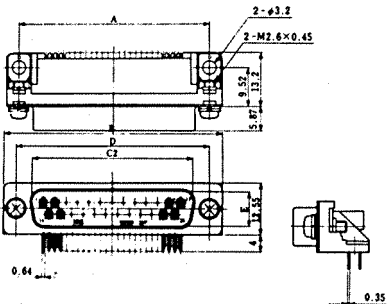
HRS No.	No. of Pin	Part No.
CL211-0412-8	9	RDED-9SA
CL211-0413-0	15	RDAD-15SA
CL211-0413-0-05		RDAD-15SA(05)
CL211-0297-1	25	RDBD-25SA

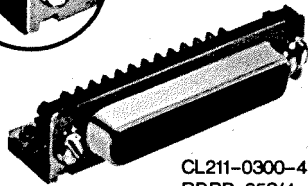
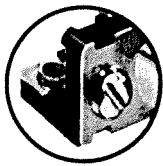


CL211-0373-8  
RDBD-25PA

Panel-mounting threaded holes: M2.6 × 0.45 (metric)  
Ground terminal (PCB-mounting): Through-holes

HRS No.	No. of Pin	Part No.
CL211-0502-9	15	RDAD-15PA
CL211-0373-8	25	RDBD-25PA
CL211-0373-8-05		RDBD-25PA(05)

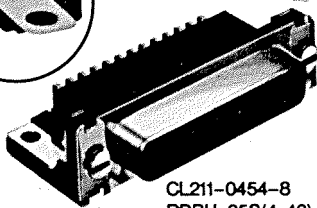
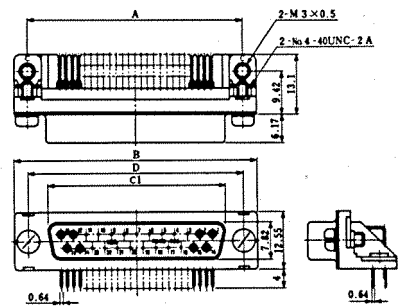




CL211-0300-4  
RDBD-25S(4-40)

Panel-mounting threaded holes: No. 4 - 40 UNC (inch)  
Ground terminal (PCB-mounting): M3 X 0.5

HRS No.	No. of Pin	Part No.
CL211-0398-9	9	RDED-9S(4-40)
CL211-0399-1-05	15	RDAD-15S(4-40)(05)
CL211-0300-4	25	RDBD-25S(4-40)

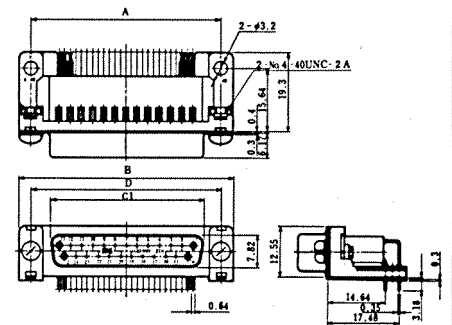


CL211-0454-8  
RDBH-25S(4-40)

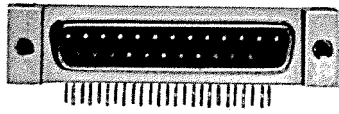
Panel-mounting threaded holes: No. 4 - 40 UNC (inch)  
Ground terminal (PCB-mounting): Through-holes

HRS No.	No. of Pin	Part No.
CL211-0454-8	25	RDBH-25S(4-40)

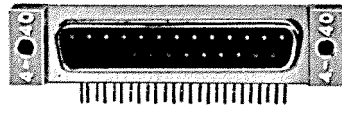
Note: Shell: solder-plated



# Locking Device with Rectangular Mating Locking Base (LN Type)



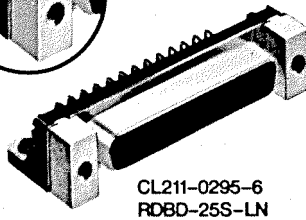
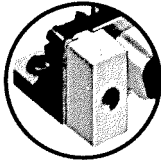
Metric thread



#4-40 thread

## Dimensions

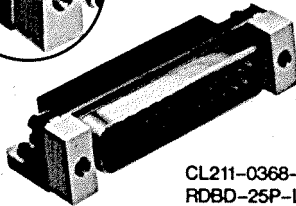
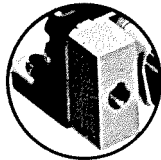
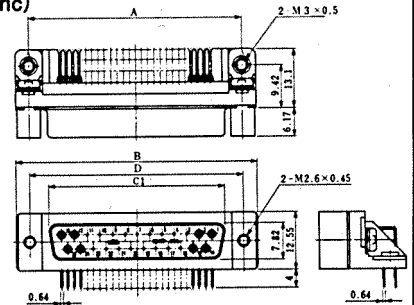
No. of Pin	A	B	C <sub>1</sub>	C <sub>2</sub>	D	E
9	24.99	30.81	16.4	16.9	24.99	8.34
15	33.32	39.14	24.59	25.24	33.32	8.34
25	47.04	53.04	38.3	39.01	47.04	8.4
37	63.5	69.32	54.76	—	63.5	—



CL211-0295-6  
RDBD-25S-LN

Rectangular mating threaded holes: M2.6 × 0.45 (metric)  
Ground terminal (PCB-mounting): M3 × 0.5

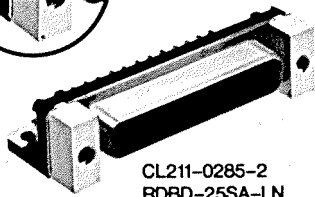
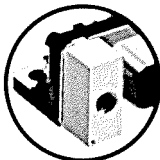
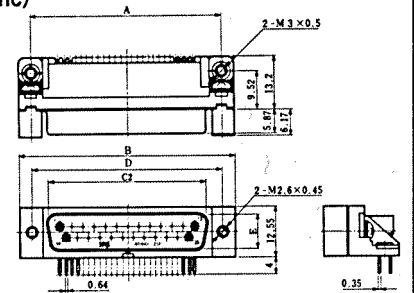
HRS No.	No. of Pin	Part No.
CL211-0313-6	9	RDED-9S-LN
CL211-0313-6-05		RDED-9S-LN(05)
CL211-0316-4	15	RDAD-15S-LN
CL211-0316-4-05		RDAD-15S-LN(05)
CL211-0295-6	25	RDBD-25S-LN
CL211-0295-6-05		RDBD-25S-LN(05)
CL211-0319-2		RDOD-37S-LN
CL211-0319-2-05	RDOD-37S-LN(05)	



CL211-0368-8  
RDBD-25P-LN

Rectangular mating threaded holes: M2.6 × 0.45 (metric)  
Ground terminal (PCB-mounting): M3 × 0.5

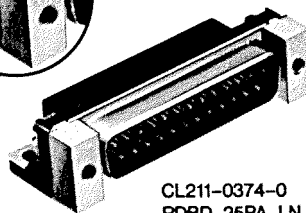
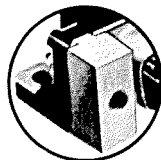
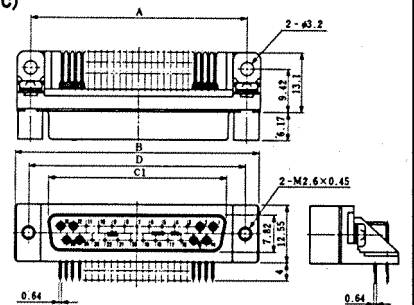
HRS No.	No. of Pin	Part No.
CL211-0476-0	9	RDED-9P-LN
CL211-0476-0-05		RDED-9P-LN(05)
CL211-0497-0	15	RDAD-15P-LN
CL211-0368-8	25	RDBD-25P-LN



CL211-0285-2  
RDBD-25SA-LN

Rectangular mating threaded holes: M2.6 × 0.45 (metric)  
Ground terminal (PCB-mounting): Through-holes

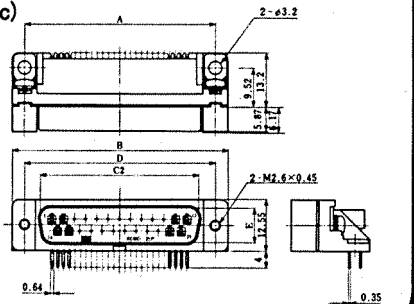
HRS No.	No. of Pin	Part No.
CL211-0415-6	9	RDED-9SA-LN
CL211-0389-8	15	RDAD-15SA-LN
CL211-0285-2	25	RDBD-25SA-LN
CL211-0285-2-05		RDBD-25SA-LN(05)
CL211-0418-9	37	RDOD-37SA-LN
CL211-0418-9-05		RDOD-37SA-LN(05)



CL211-0374-0  
RDBD-25PA-LN

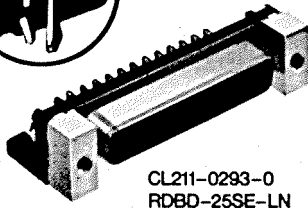
Rectangular mating threaded holes: M2.6 × 0.45 (metric)  
Ground terminal (PCB-mounting): Through-holes

HRS No.	No. of Pin	Part No.
CL211-0374-0	25	RDBD-25PA-LN



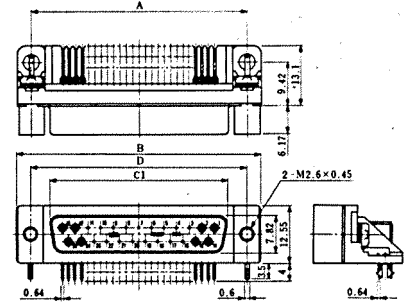


Rectangular-mating threaded holes: M2.6 x 0.45 (metric)  
 Ground terminal (PCB-mounting): Fitted with a simple lock pin for temporary locking on PCB

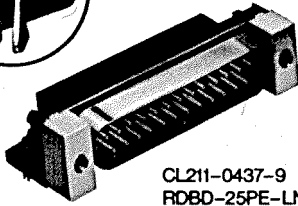


CL211-0293-0  
RDBD-25SE-LN

HRS No.	No. of Pin	Part No.
CL211-0420-6	9	RDED-9SE-LN
CL211-0420-6-05		RDED-9SE-LN (05)
CL211-0421-9	15	RDAD-15SE-LN
CL211-0421-9-05		RDAD-15SE-LN (05)
CL211-0293-0	25	RDBD-25SE-LN
CL211-0293-0-05		RDBD-25SE-LN (05)
CL211-0423-4	37	RDGD-37SE-LN
CL211-0423-4-05		RDGD-37SE-LN (05)

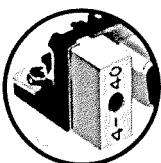
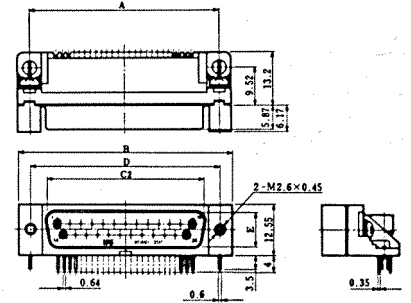


Rectangular-mating threaded holes: M2.6 x 0.45 (metric)  
 Ground terminal (PCB-mounting): Fitted with a simple lock pin for temporary locking on PCB.

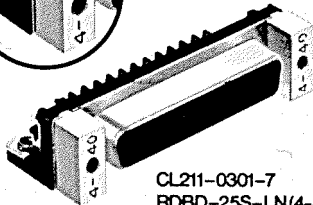


CL211-0437-9  
RDBD-25PE-LN

HRS No.	No. of Pin	Part No.
CL211-0491-4	9	RDED-9PE-LN
CL211-0509-8	15	RDAD-15PE-LN
CL211-0437-9	25	RDBD-25PE-LN

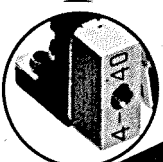
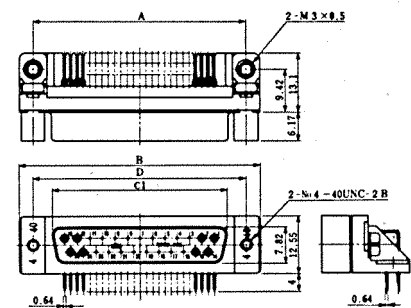


Rectangular mating threaded holes: No.4-40 UNC (inch)  
 Ground terminal (PCB-mounting): M3 X 0.5

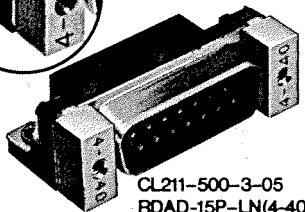


CL211-0301-7  
RDBD-25S-LN(4-40)

HRS No.	No. of Pin	Part No.
CL211-0401-1-05	9	RDED-9S-LN(4-40) (05)
CL211-0301-7	25	RDBD-25S-LN(4-40)
CL211-0301-7-05		RDBD-25S-LN(4-40) (05)

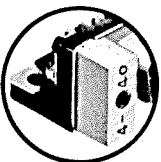
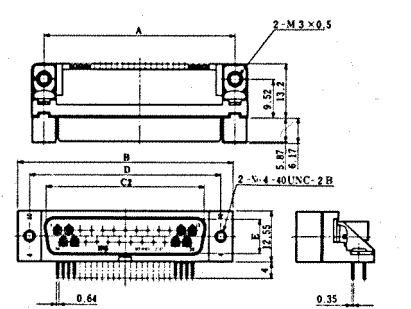


Rectangular mating threaded holes: No.4-40 UNC (inch)  
 Ground terminal (PCB-mounting): M3 X 0.5

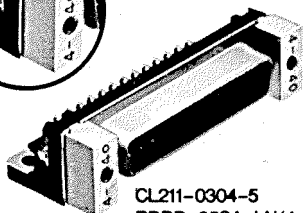


CL211-500-3-05  
RDAD-15P-LN(4-40)(05)

HRS No.	No. of Pin	Part No.
CL211-0479-9-05	9	RDED-9P-LN(4-40) (05)
CL211-0500-3-05	15	RDAD-15P-LN(4-40) (05)

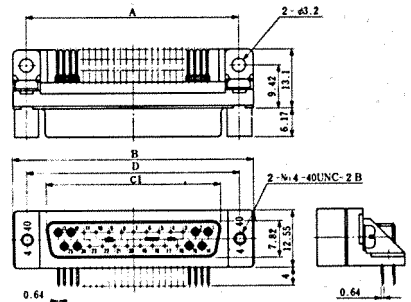


Rectangular mating threaded holes: No.4-40 UNC (inch)  
 Ground terminal (PCB-mounting): Through-holes

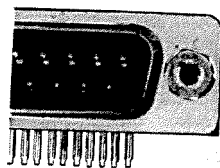


CL211-0304-5  
RDBD-25SA-LN(4-40)

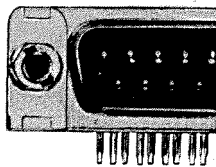
HRS No.	No. of Pin	Part No.
CL211-0407-8-05	15	RDAD-15SA-LN(4-40) (05)
CL211-0304-5	25	RDBD-25SA-LN(4-40)
CL211-0408-0-05	37	RDGD-37SA-LN(4-40) (05)



# Locking Device with Hexagonal-mating Locking Base (LNA Type)



Metric thread



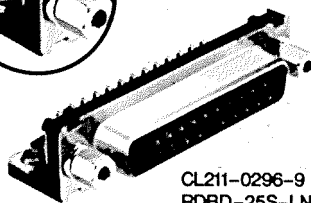
#4-40 thread

## DIMENSIONS

No. of Pin	A	B	C <sup>1</sup>	C <sup>2</sup>	D	E
9	24.99	30.81	16.4	16.9	24.99	8.34
15	33.32	39.14	24.59	25.24	33.32	8.34
25	47.04	53.04	38.3	39.01	47.04	8.4
37	63.5	69.32	54.76	—	63.5	—

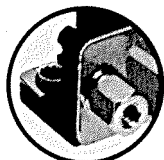
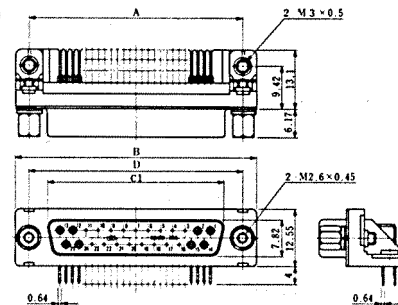


Hexagonal-mating threaded holes: M2.6 × 0.45 (metric)  
Ground terminal (PCB-mounting): M3 × 0.5

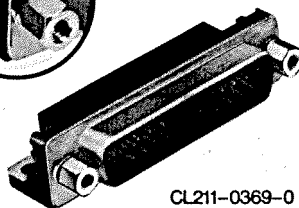


CL211-0296-9  
RDBD-25S-LNA

HRS No.	No. of Pin	Part No.
CL211-0314-9	9	RDED-9S-LNA
CL211-0314-9-05		RDED-9S-LNA(05)
CL211-0317-7	15	RDAD-15S-LNA
CL211-0317-7-05		RDAD-15S-LNA(05)
CL211-0296-9	25	RDBD-25S-LNA
CL211-0296-9-05		RDBD-25S-LNA(05)
CL211-0320-1		RDCC-37S-LNA
CL211-0320-1-05	37	RDCC-37S-LNA(05)

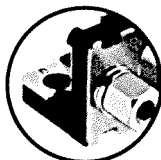
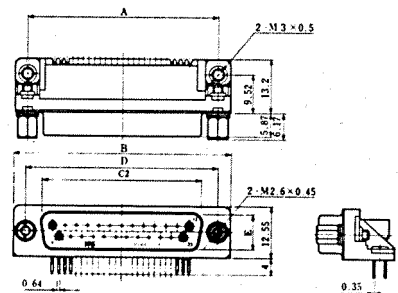


Hexagonal-mating threaded holes: M2.6 × 0.45 (metric)  
Ground terminal (PCB-mounting): M3 × 0.5

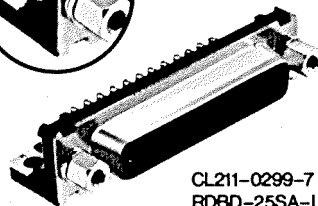


CL211-0369-0  
RDBD-25P-LNA

HRS No.	No. of Pin	Part No.
CL211-0477-3	9	RDED-9P-LNA
CL211-0477-3-05		RDED-9P-LNA(05)
CL211-0498-3	16	RDAD-15P-LNA
CL211-0498-3-05		RDAD-15P-LNA(05)
CL211-0369-0	25	RDBD-25P-LNA
CL211-0369-0-05		RDBD-25P-LNA(05)

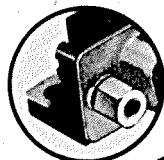
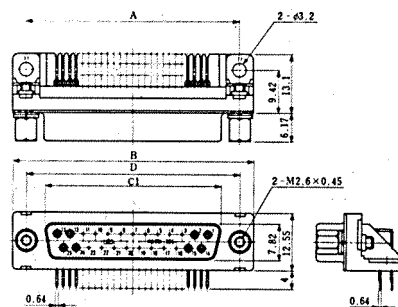


Hexagonal-mating threaded holes: M2.6 × 0.45 (metric)  
Ground terminal (PCB-mounting): Through-holes

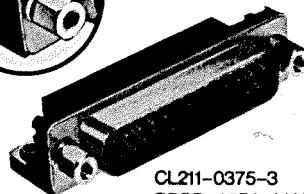


CL211-0299-7  
RDBD-25SA-LNA

HRS No.	No. of Pin	Part No.
CL211-0409-3	9	RDED-9SA-LNA
CL211-0410-2		RDAD-16SA-LNA
CL211-0410-2-05	15	RDAD-15SA-LNA(05)
CL211-0299-7		25
CL211-0299-7-05	RDBD-25SA-LNA(05)	
CL211-0411-5	RDCC-37SA-LNA	
CL211-0411-5-05	37	RDCC-37SA-LNA(05)

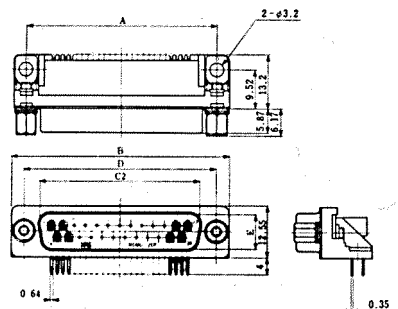


Hexagonal-mating threaded holes: M2.6 × 0.45 (metric)  
Ground terminal (PCB-mounting): Through-holes



CL211-0375-3  
RDBD-25PA-LNA

HRS No.	No. of Pin	Part No.
CL211-0488-4	9	RDED-9PA-LNA
CL211-0604-4	15	RDAD-15PA-LNA
CL211-0375-3	25	RDBD-25PA-LNA



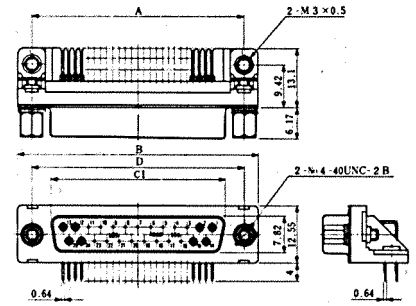


Hexagonal-mating threaded holes: No. 4-40 UNC (inch)  
Ground terminal (PCB-mounting): M3 X 0.5

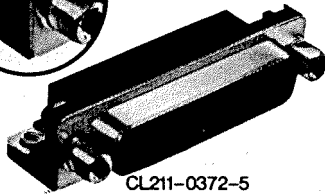


CL211-0302-0  
RDBD-25S-LNA(4-40)

HRS No.	No. of Pin	Part No.
CL211-0404-0	9	RDED-9S-LNA(4-40)
CL211-0404-0-05		RDED-9S-LNA(4-40) (05)
CL211-0384-4	15	RDAD-15S-LNA(4-40)
CL211-0384-4-05		RDAD-15S-LNA(4-40) (05)
CL211-0302-0	25	RDBD-25S-LNA(4-40)
CL211-0302-2-05		RDBD-25S-LNA(4-40) (05)
CL211-0405-2	37	RDCD-37S-LNA(4-40)
CL211-0405-2-05		RDCD-37S-LNA(4-40) (05)

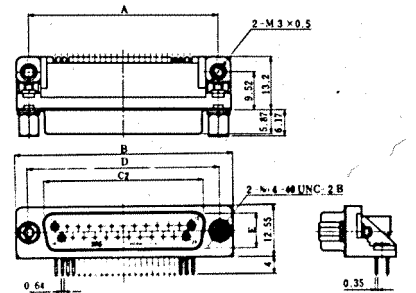


Hexagonal-mating threaded holes: No. 4-40 UNC (inch)  
Ground terminal (PCB-mounting): M3 X 0.5

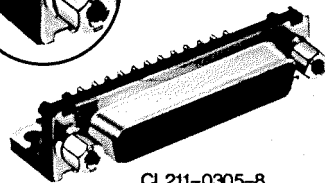


CL211-0372-5  
RDBD-25P-LNA(4-40)

HRS No.	No. of Pin	Part No.
CL211-0480-8	9	RDED-9P-LNA(4-40)
CL211-0480-8-05		RDED-9P-LNA(4-40) (05)
CL211-0501-6	15	RDAD-15P-LNA(4-40)
CL211-0372-5	25	RDBD-25P-LNA(4-40)
CL211-0372-5-05		RDBD-25P-LNA(4-40) (05)

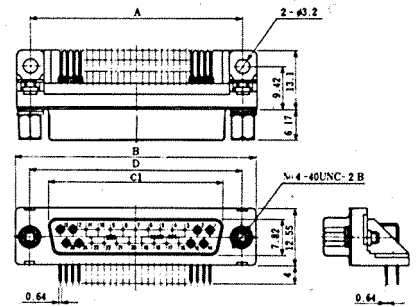


Hexagonal-mating threaded holes: No. 4-40 UNC (inch)  
Ground terminal (PCB-mounting): Through-holes

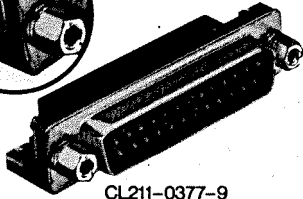
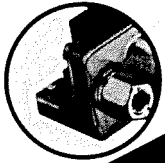


CL211-0305-8  
RDBD-25SA-LNA(4-40)

HRS No.	No. of Pin	Part No.
CL211-0417-1-05	9	RDED-9SA-LNA(4-40) (05)
CL211-0305-8	25	RDBD-25SA-LNA(4-40)



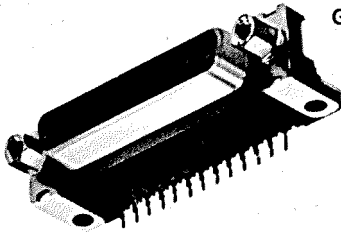
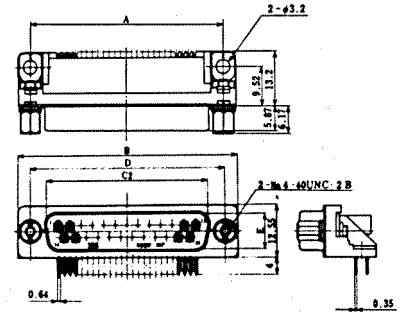




CL211-0377-9  
RDBD-25PA-LNA(4-40)

Hexagonal-mating threaded holes: No. 4-40 UNC (inch)  
Ground terminal (PCB-mounting): Through-holes

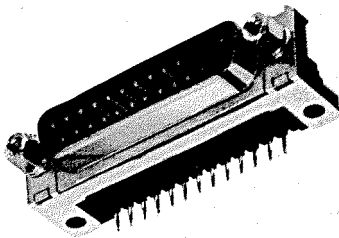
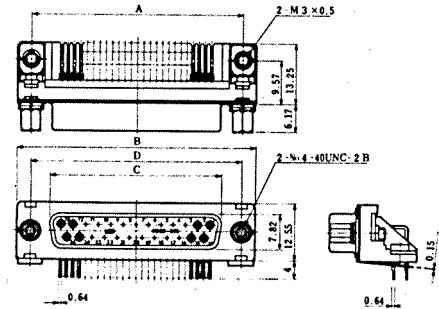
HRS No.	No. of Pin	Part No.
CL211-0489-2	9	RDED-9PA-LNA(4-40)
CL211-0377-9	25	RDBD-25PA-LNA(4-40)



CL211-0459-1  
RDBD-25S-LNA(4-40) GP

Hexagonal-mating threaded holes: No. 4-40 UNC (inch)  
Ground terminal (PCB-mounting): M3 X 0.5

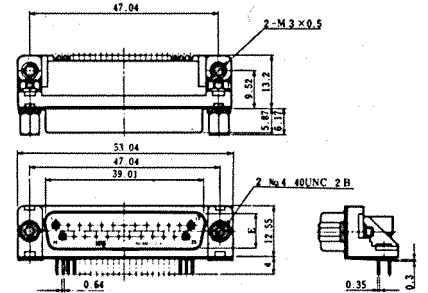
HRS No.	No. of Pin	Part No.
CL211-0458-9	15	RDAD-15S-LNA(4-40) GP
CL211-0458-9-05		RDAD-15S-LNA(4-40) GP(05)
CL211-0459-1-05	25	RDBD-25S-LNA(4-40) GP(05)
CL211-0460-0	37	RDCD-25S-LNA(4-40) GP
CL211-0460-0-05		RDCD-25S-LNA(4-40) GP(05)



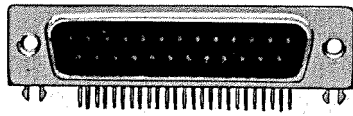
CL211-0539-9  
RQBD-25P-LNA(4-40) GP2

Hexagonal-mating threaded holes: No. 4-40 UNC (inch)  
Ground terminal (PCB-mounting): M3 X 0.5

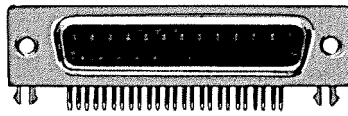
HRS No.	No. of Pin	Part No.
CL211-0539-9	25	RDBD-25P-LNA(4-40) GP2



# Field-Mounting Locking Device



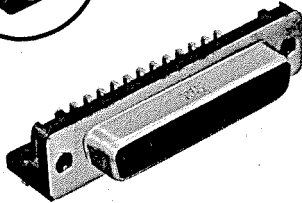
Male contact



Female contact

## Dimensions

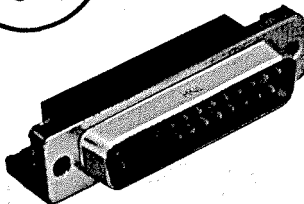
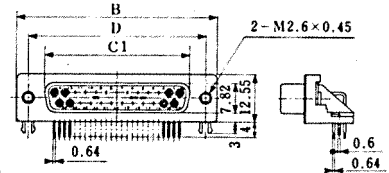
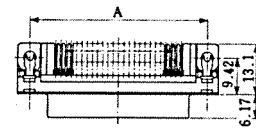
No. of Pin	A	B	C1	C2	D
9	24.99	30.81	16.4	16.9	24.95
15	33.32	39.14	24.59	25.24	33.32
25	47.04	53.04	38.3	39.01	47.04
37	63.5	69.32	54.76	—	63.55



CL211-5197-4-05  
RDBD-25SE1/M2.6(05)

Hexagonal mating screw: Not provided (Select from the following according to your application)  
Grounding device (PCB mounting part): With simple locking pin to temporarily lock PCB.  
Applicable PCB thickness: 1.6 mm

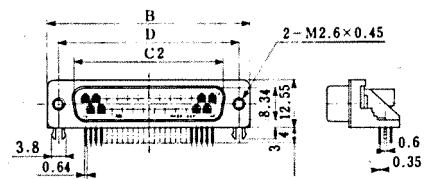
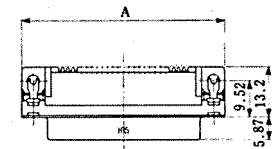
HRS No.	No. of Pin	Part No.
CL211-5195-9	9	RDED-9SE1/M2.6
CL211-5195-05		RDED-9SE1/M2.6(05)
CL211-5169-9	15	RDAD-15SE1/M2.6
CL211-5169-9-05		RDAD-15SE1/M2.6(05)
CL211-5197-4	25	RDBD-25SE1/M2.6
CL211-5197-4-05		RDBD-25SE1/M2.6(05)
CL211-5198-7	37	RDGD-37SE1/M2.6
CL211-5198-7-05		RDGD-37SE1/M2.6(05)



CL211-5170-8-05  
RDBD-25PE1/M2.6(05)

Hexagonal mating screw: Not provided (Select from the following according to your application)  
Grounding device (PCB mounting part): With simple locking pin to temporarily lock PCB.  
Applicable PCB thickness: 1.6 mm

HRS No.	No. of Pin	Part No.
CL211-5168-6	9	RDED-9PE1/M2.6
CL211-5168-6-05		RDED-9PE1/M2.6(05)
CL211-5196-1	15	RDAD-15PE1/M2.6
CL211-5196-1-05		RDAD-15PE1/M2.6(05)
CL211-5170-8	25	RDBD-25PE1/M2.6
CL211-5170-8-05		RDBD-25PE1/M2.6(05)



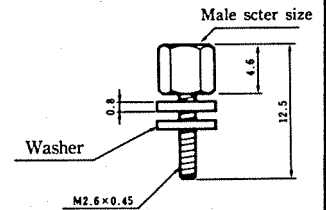
## Special mating locking screw Washer



CL211-5182-7-05  
RDG-LNA-W2

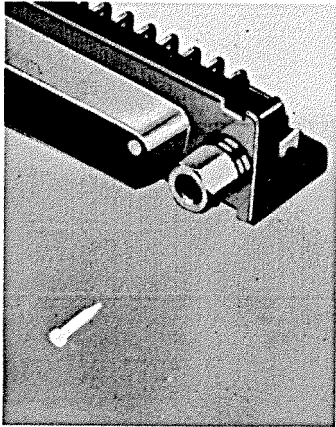
	HRS No.	Part No.	No. of pin	Agreement Panel Thickness
M2.6×0.45	CL211-5180-1	RDG-LNA	0	1.6~2.0
	CL211-5181-4	RDG-LNA-W1	1	0.8~1.2
	CL211-5182-7	RDG-LNA-W2	2	0~0.4
N0.4-40UNC	CL211-5183-0	RDG-LNA(4-40)	0	1.6~2.0
	CL211-5184-2	RDG-LNA(4-40)-W1	1	0.8~1.2
	CL211-5185-5	RDG-LNA(4-40)-W2	2	0~0.4

Note 1: Finished by nickel plating.  
2: Two screws are packed in one case.  
3: Since the grounding device attached to the connector is fixed temporarily, do not press the locking screw against the grounding device.



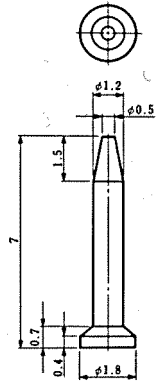
## SM Series (D SUB) Accessories

### Mis-insertion prevention pin



Note 1: Can be used in the female RD, SD, HD series. For use in the CD series, built-in crimp terminals are required.

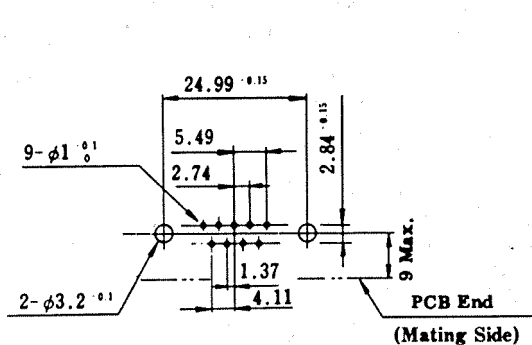
2: As a mating partner, use a male CD (crimp termination) series connector that allows the contact at the part corresponding to the mis-insertion prevention pin to be removed.



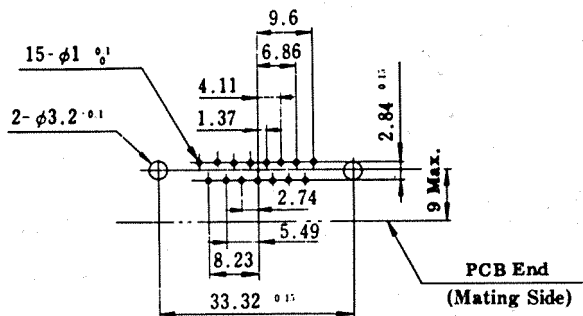
HRS No.	Part No.
CL211-0436-6	RDBD polarizing pin

Note : Can also be used in the SD and HD series.

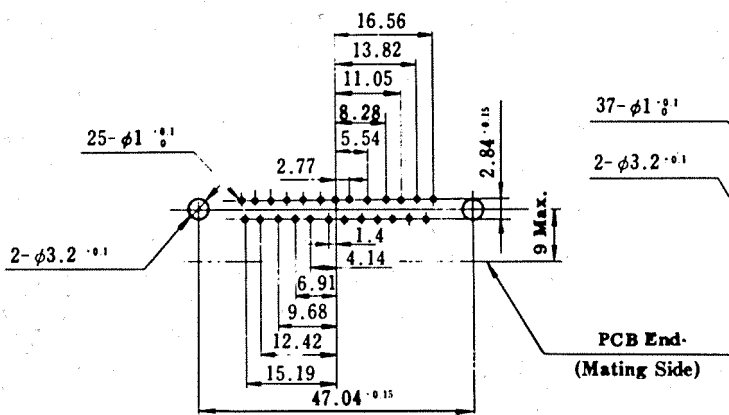
# Recommended PC board Hole Pattern (mm)



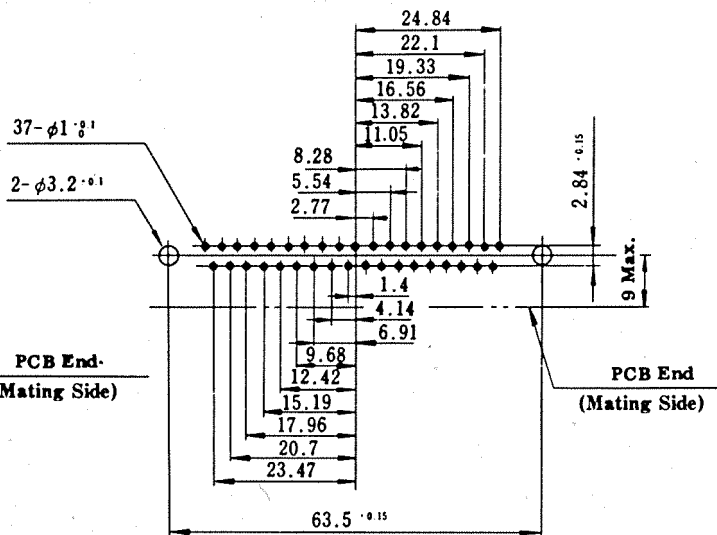
RDED-9



RDAD-15

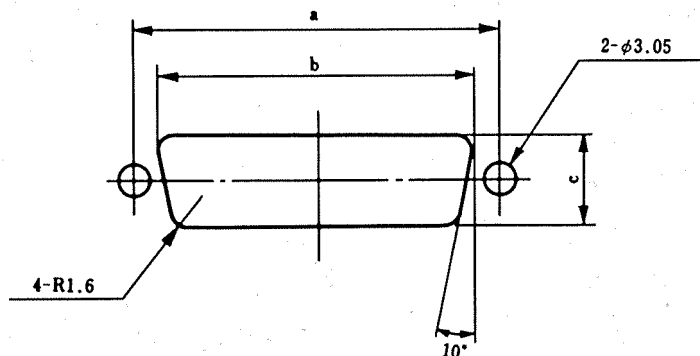


RDBD-25



RDCD-37

## ● Mounting Cutout



Unit: mm

Shell Size	a	b	c
E	24.99	20.2	11.5
A	33.32	28.6	11.5
B	47.04	42.3	11.5
C	63.5	58.7	11.5