

MP

D-Sub connectors - Stamped and Formed Contacts

IDC DISCRETE WIRE CONNECTORS



MAIN CHARACTERISTICS

Materials and platings	
Shells	Steel with bright tin over zinc shell plating
Contacts	Phosphor bronze
Plating	Contact area: gold over nickel IDC area: tin over nickel
Wire types	Solid and stranded wires AWG 24-28

Electrical data	
Current rating	5 A Max. per contact
Voltage rating	500 V AC at sea level 150 V AC at 90.000 feet
Dielectric	Thermoplastic Polyesther UL 94 VO rated

Climatic Data	
Operating temperature	-55°C to +125°C
Salt spray	24 hours

Mechanical Data	
Mating and unmating force	Size E 30 N Max. 3.5 N Mini. Size A 50 N Max. 4.5 N Mini. Size B 83 N Max. 8.0 N Mini. Size C 123 N Max. 11.0 N Mini.
Standart plating thicknesses	Gold flash 0.4µm (15µ) gold 0.76µm (30µ) gold

DESCRIPTION

Amphenol IDC discrete D-sub connectors offer low-profile design that accommodates many of the compact requirements of computer interfacing, instrumentation and business equipment. Fast, four-point solderless termination ensures reliable connections. This series is available in 9, 15, 25, 37 contact configurations. Contacts, including stain relief, are easily removable in case of repair.

*Simplify
Your cable
assemblies*

APPLICATIONS

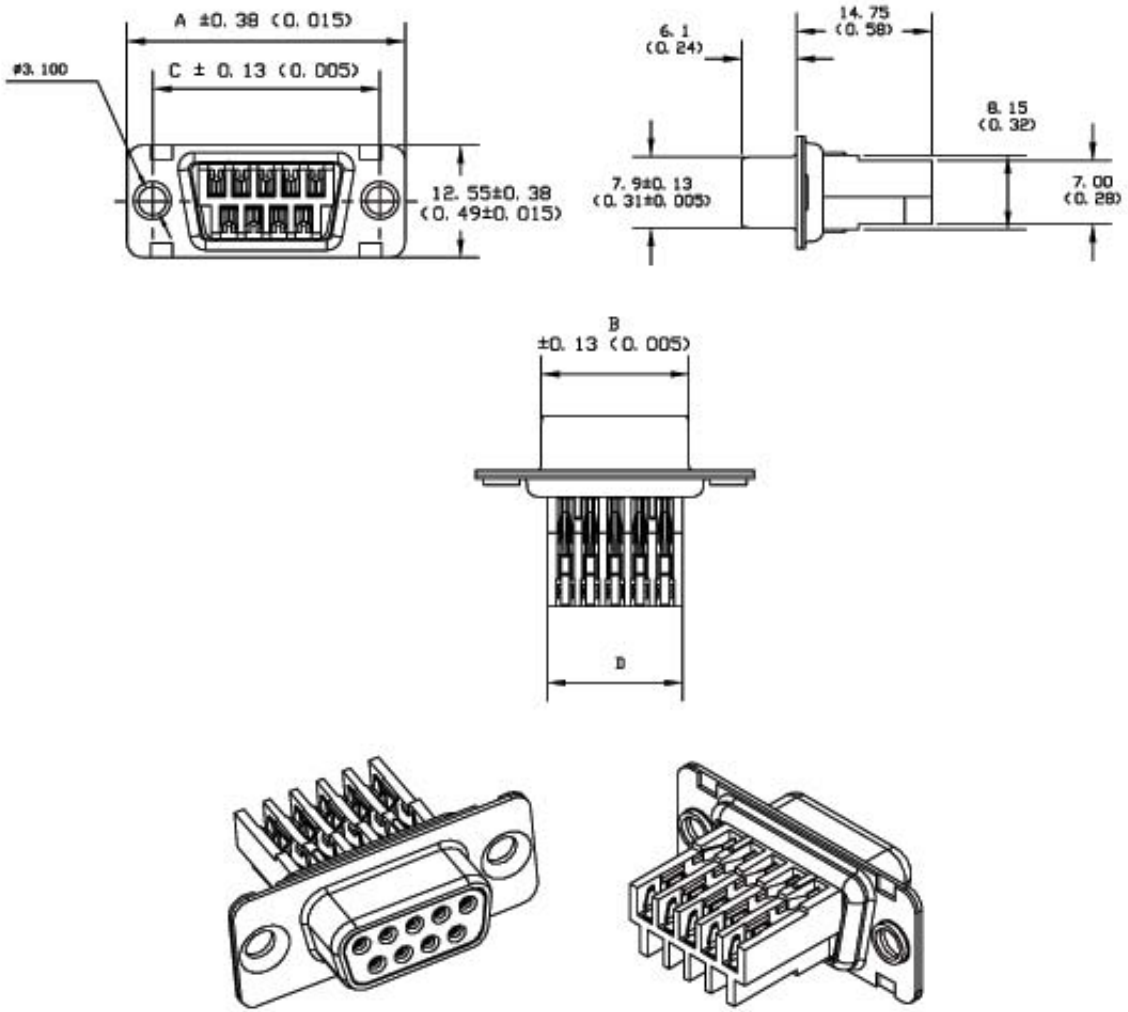
- Industrial
- Telecom
- Any industry standard
- I/O connections



Amphenol

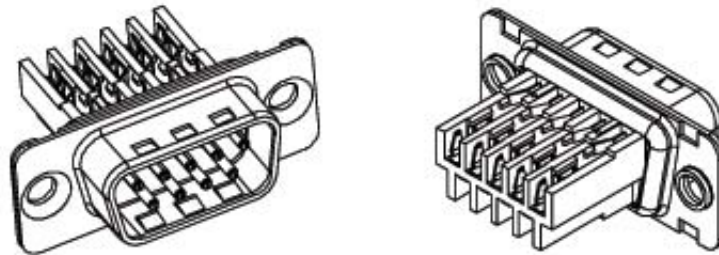
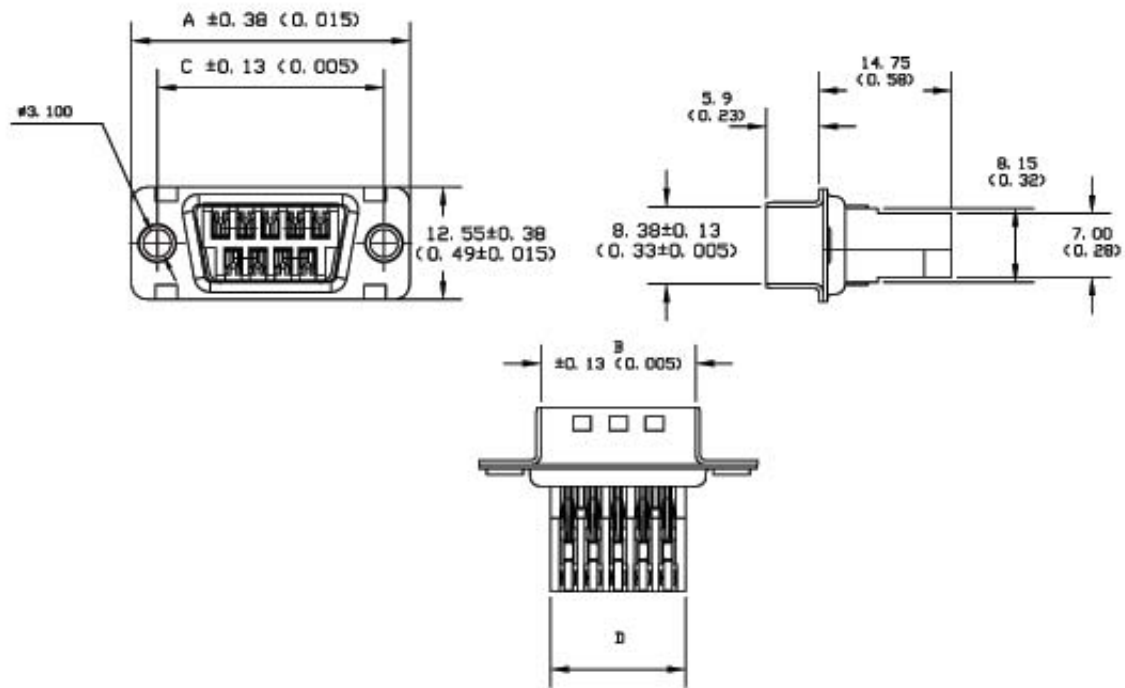
IDC / E25

Socket version



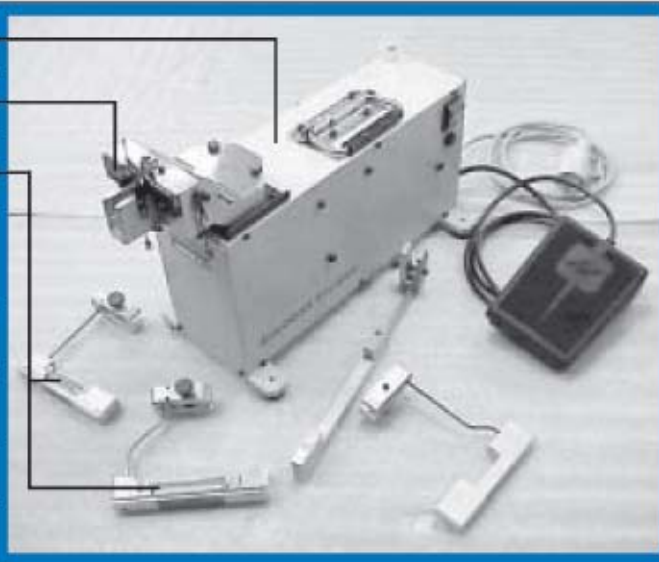
Nb OF CONTACTS	DIMENSIONS mm (inch)			
	A	B	C	D
9	30.81 (1.21)	16.24 (0.64)	24.99 (0.98)	14.90 (0.59)
15	39.14 (1.54)	24.56 (0.97)	33.32 (1.31)	23.00 (0.91)
25	53.04 (2.09)	38.38 (1.51)	47.04 (1.85)	36.90 (1.45)
37	69.32 (2.73)	54.76 (2.16)	63.50 (2.50)	59.30 (2.33)

Plug version

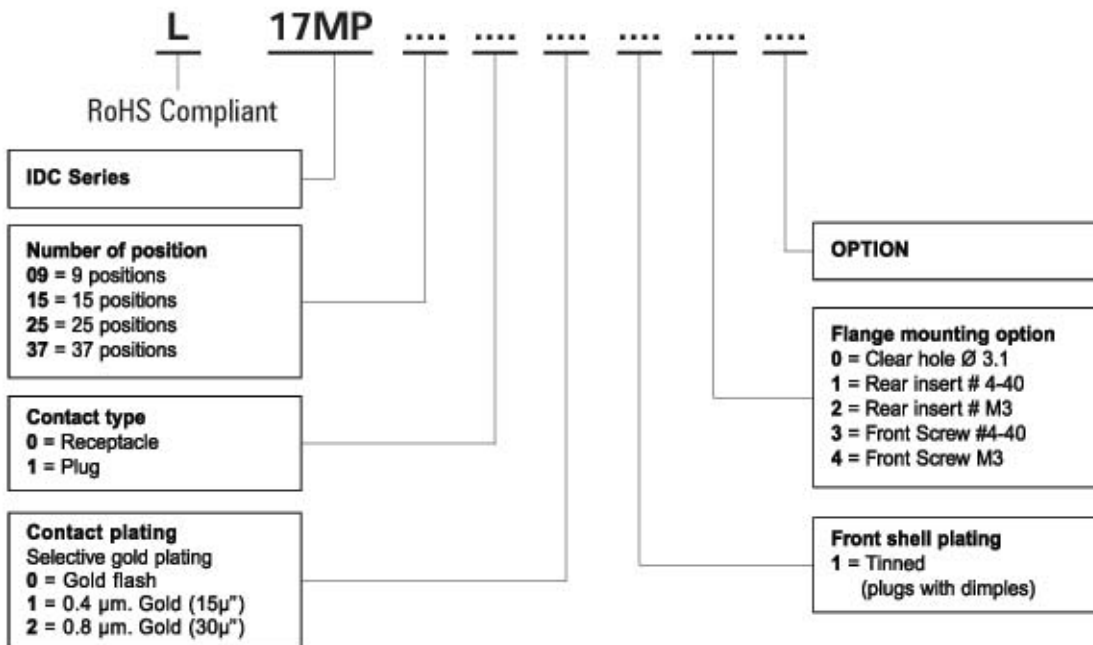


Nb OF CONTACTS	DIMENSIONS mm (inch)			
	A	B	C	D
9	30.81 (1.21)	16.92 (0.67)	24.99 (0.98)	14.90 (0.59)
15	39.14 (1.54)	25.25 (0.99)	33.32 (1.31)	23.00 (0.91)
25	53.04 (2.09)	38.96 (1.53)	47.04 (1.85)	36.90 (1.45)
37	69.32 (2.73)	55.42 (2.18)	63.50 (2.50)	59.30 (2.33)

Tooling for IDC connectors

Terminating frame Ref: 21046			
Terminating head Ref: 976 MC			
Connector holders references			
Number of Contacts	Male	Female	
09	991 MC	992 MC	
15	993 MC	994 MC	
25	995 MC	996 MC	
37	997 MC	998 MC	
Hand tool	Ref: 980 MC	Wiring with step by step movements + wire cutting	
Hand tool	Ref: 989 MC	Repairing single insertion tool	

How to order



Do not hesitate to contact us for further information

Amphenol

Amphenol East Asia Electronic
Technology(Shen Zhen)Co., Ltd.

Block A3/A4, The4th Ind.District of
Ind.HQ, Dong keng Road,
Gong Ming Town , Shen zhen, china
Fax: +86 (0) 755 2754 9955
http://www.dsubconnector.com

Technical support

Tel: +33 (0) 3 84 85 94 00
+86 (0) 755 2717 7945