

Fixed Coaxial Attenuators



Model 84A Fixed Coaxial Attenuator

dc to 40.0 GHz
2 Watts

2.4mm Connectors



Features

- /// Useable to 43 GHz.
- /// Designed to meet environmental requirements of MIL-A-3933.
- /// Ruggedized 2.4mm Connectors.

Specifications

NOMINAL IMPEDANCE: 50 Ω

FREQUENCY RANGE: dc to 40.0 GHz

MAXIMUM DEVIATION OVER FREQUENCY:			
Nominal ATTN (dB)	Deviation (dB)		
	dc-18.0	18-26.5	26.5-40
1 - 3	± 0.60	± 0.70	± 1.10
4 - 6	± 0.60	± 0.70	± 1.00
7 - 10	± 0.60	± 0.80	± 1.00
20	± 0.70	± 1.00	± 1.00
30	± 1.00	± 1.40	± 1.40

MAXIMUM SWR:	
Frequency (GHz)	SWR
dc - 26.5	1.35
26.5 - 40	1.50

POWER RATING: 2 watts **average** to 25 °C ambient temperature, derated linearly to 0.1 watt at 125 °C. 200 watts **peak** (5 μsec pulse width; 0.5 % duty cycle).

POWER COEFFICIENT: < 0.005 dB/dB/watts

TEMPERATURE COEFFICIENT: < 0.0004 dB/dB/°C

TEMPERATURE RANGE: -55°C to +125°C

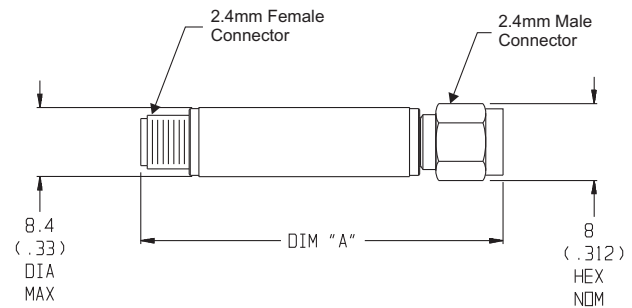
TEST DATA: Insertion Loss and SWR Testing performed across frequency range. Test data available at additional cost.

CONNECTORS: 2.4mm connectors - mate nondestructively with other 2.4mm connectors.

CONSTRUCTION: Stainless steel body; gold plated beryllium copper contacts and brass connectors.

WEIGHT: 13 g (0.46 oz.) maximum

PHYSICAL DIMENSIONS:



Model	DIM A
84A	38.10 (1.50)
F84A	33.78 (1.33)
M84A	44.16 (1.66)

NOTE:

1. All dimensions are given in mm (inches) and are maximum, unless otherwise specified.
2. Unit available with RoHS compliant materials, specify when ordering.

MODEL NUMBER DESCRIPTION:

Example:

