

SERIES: ETS 120~150 W | **DESCRIPTION:** AC-DC POWER SUPPLY

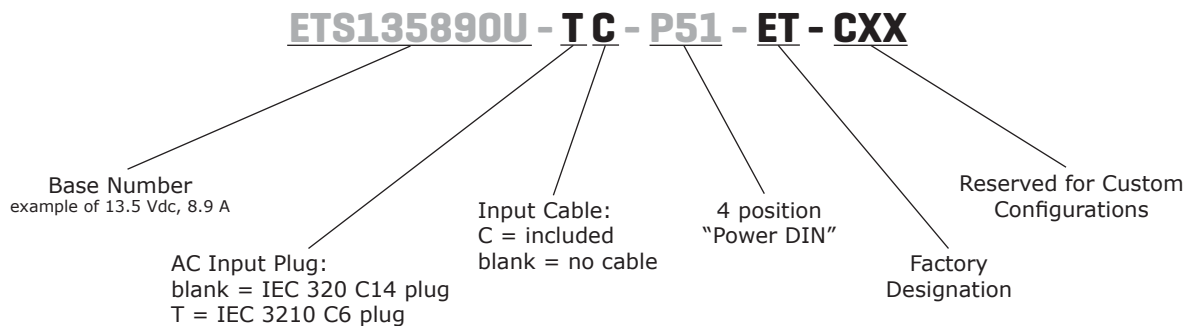
FEATURES

- up to 150 W power
- universal input (90~264 Vac)
- single regulated output from 12~24 V
- over load and short circuit protections
- UL/cUL and TUV safety approvals
- level V efficiency
- custom designs available



MODEL	output voltage	output current max	output power max	ripple ¹	efficiency level
	(Vdc)	(A)	(W)	max (mVp-p)	
ETS1201000U	12	10	120	200	V
ETS135890U	13.5	8.9	120.2	200	V
ETS150830U	15	8.3	124.5	200	V
ETS160810U	16	8.1	129.6	200	V
ETS180750U	18	7.5	135	250	V
ETS190750U	19	7.5	142.5	250	V
ETS200710U	20	7.1	142	250	V
ETS240625U	24	6.25	150	250	V

Notes: 1. At full load, 100 ~ 240 Vac input, 20 MHz bandwidth oscilloscope, each output terminated with 10 μ F aluminum electrolytic and 0.1 μ F ceramic capacitors.

PART NUMBER KEY


INPUT

parameter	conditions/description	min	typ	max	units
voltage		90		264	Vac
frequency		47		63	Hz
current				2.5	A
inrush current	at 230 Vac, cool start			100	A
no load power consumption				0.5	W
power factor correction	complies with IEC 61000-3-2 class D, at 100 Vac harmonic standard, input power > 75W, at 240 Vac	0.95 0.9			

OUTPUT

parameter	conditions/description	min	typ	max	units
load regulation			±5		%

PROTECTIONS

parameter	conditions/description	min	typ	max	units
over voltage protection			140		%
over current protection			140		%
short circuit protection	auto restart				

SAFETY & COMPLIANCE

parameter	conditions/description	min	typ	max	units
isolation voltage	input to output at 10 mA for 1 second			1,800	Vac
safety approvals	UL/cUL (60950-1), EN 60950-1/IEC 60950-1, CSA C22 60950-1-03				
EMI/EMC	FCC Part 15 Class B, CE, CNS 13438 class B, CISPR 22 class B, EN 55022; EN 55024; EN 61000-(2, 3); IEC 61000-4-(2, 3, 4, 5, 6, 8, 11)				
RoHS compliant	yes				
MTBF				40,000	hours

ENVIRONMENTAL

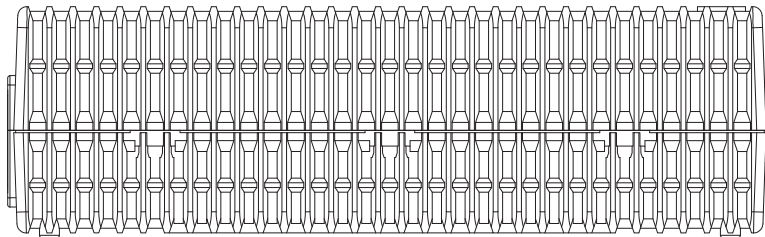
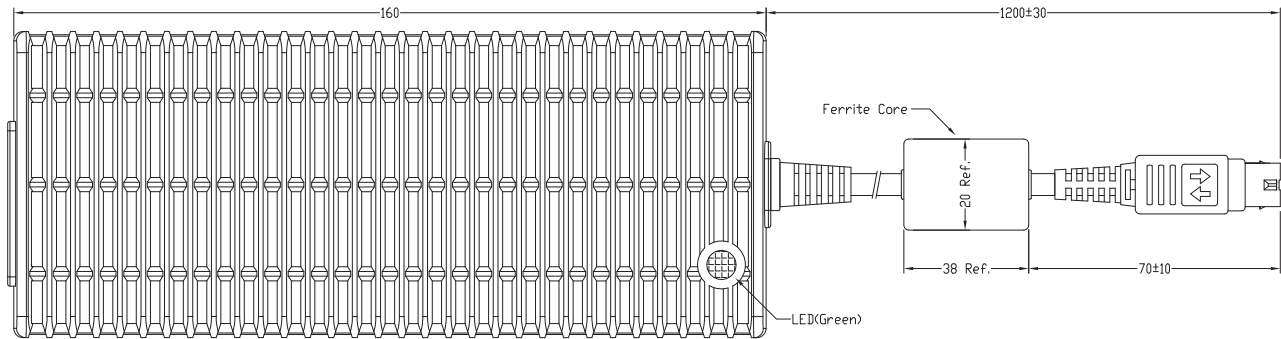
parameter	conditions/description	min	typ	max	units
operating temperature		0		40	°C
storage temperature		-20		85	°C
operating humidity		20		80	%
storage humidity		0		90	%

MECHANICAL

parameter	conditions/description	min	typ	max	units
dimensions	3.173 x 1.969 x 1.220 (80.6 x 50 x 31 mm)				inch
input plug	IEC320 / C14				
weight			115		g

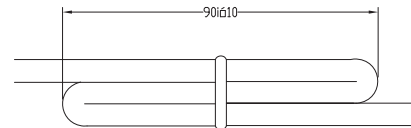
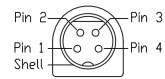
MECHANICAL DRAWING

units: mm



Power DIN Plug 4P (With Lock):

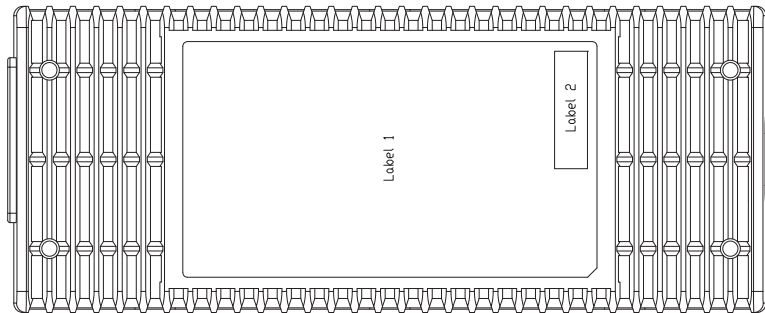
- Pin 1: +V
- Pin 2: GND
- Pin 3: GND
- Pin 4: +V
- Shell: GND



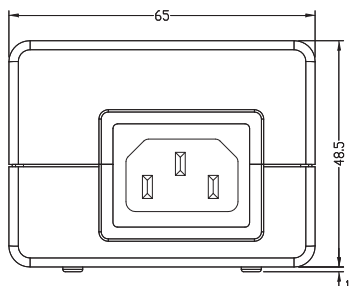
14AWG UL#1571 Black

Unit: m.m.

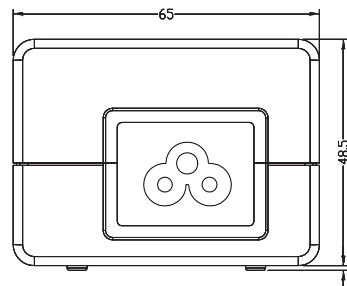
COMMON TOLERANCE	
≤ 5	±0.4
> 5 ≤ 10	±0.6
> 10 ≤ 50	±0.8
> 50 ≤ 100	±1.0
> 100	±1.0%



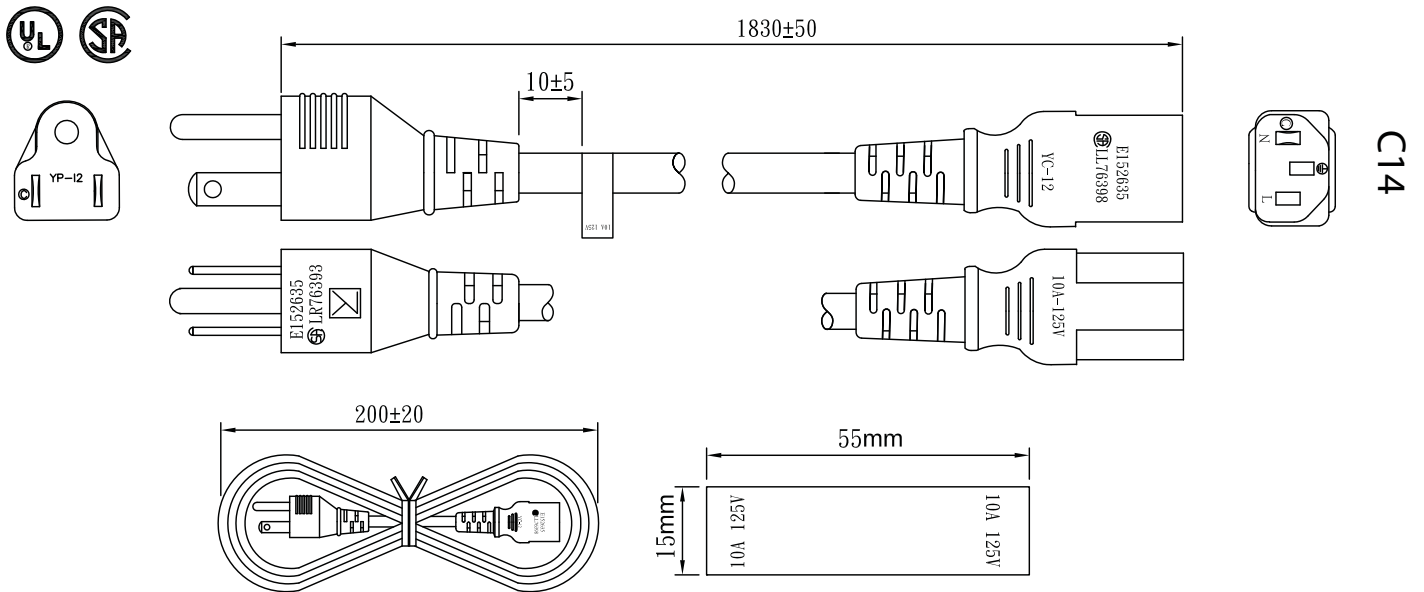
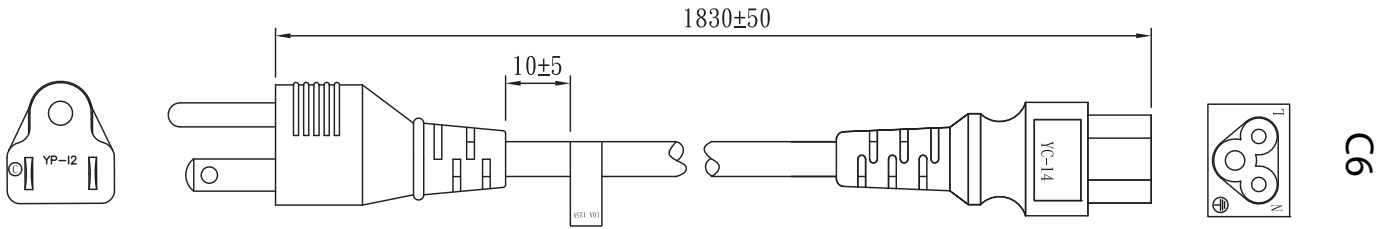
Standard:
IEC 320 C14 input plug



Optional:
IEC 320 C6 input plug



AC CORD



REVISION HISTORY

rev.	description	date
1.0	initial release	10/22/2010
1.01	V-Infinity branding removed, safety and EMI/EMC data updated	08/13/2012

The revision history provided is for informational purposes only and is believed to be accurate.



CUI INC[®]

Headquarters
20050 SW 112th Ave.
Tualatin, OR 97062
800.275.4899

Fax 503.612.2383
cui.com
techsupport@cui.com

This device complies with part 15 of the FCC Rules. Operation is subject to the following two conditions:

- (1) This device may not cause harmful interference, and
- (2) this device must accept any interference received, including interference that may cause undesired operation.

CUI offers a one (1) year limited warranty. Complete warranty information is listed on our website.

CUI reserves the right to make changes to the product at any time without notice. Information provided by CUI is believed to be accurate and reliable. However, no responsibility is assumed by CUI for its use, nor for any infringements of patents or other rights of third parties which may result from its use.

CUI products are not authorized or warranted for use as critical components in equipment that requires an extremely high level of reliability. A critical component is any component of a life support device or system whose failure to perform can be reasonably expected to cause the failure of the life support device or system, or to affect its safety or effectiveness.