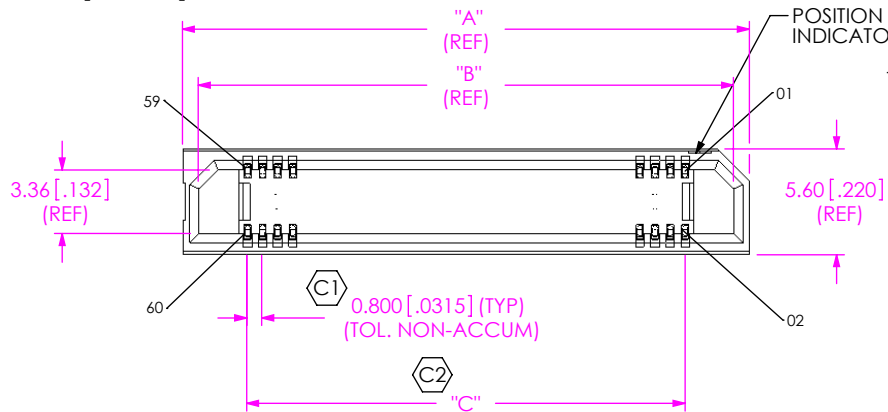


DO NOT SCALE FROM THIS PRINT



ERF8-XXX-XX.X-X-DV-XX

No OF POSITIONS (PER ROW)
 -010, -011, -013, -020, -023, -025, -030, -040, -049, -050, -060, -070, -075, *-100

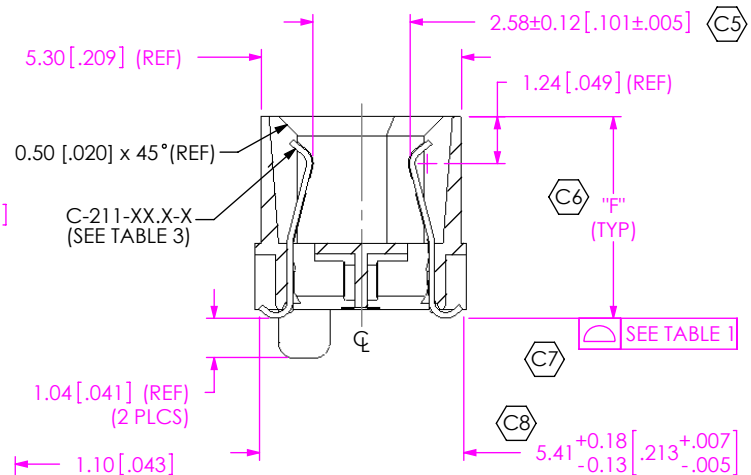
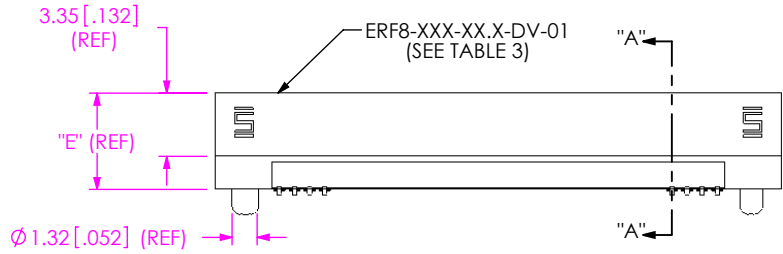
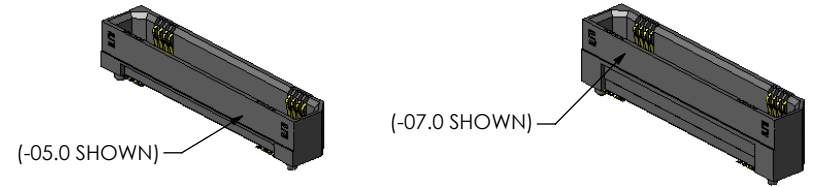
LEAD STYLE
 -05.0 = 5mm
 **-07.0 = 7mm

* = NOT TOOLED
 ** = NOT RELEASED FOR PRODUCTION

OPTION
 -K: POLYAMIDE FILM PAD
 -TR: TAPE & REEL
 **-L: ESD LATCHES (AVAILABLE ONLY ON -05.0 LEAD STYLE)

ROW SPECIFICATION
 -DV: DOUBLE VERTICAL

PLATING SPECIFICATION
 -L: LIGHT SELECTIVE GOLD / MATTE TIN (USE C-211-XX.X-L)
 -S: SELECTIVE GOLD / MATTE TIN (USE C-211-XX.X-S)



SECTION "A"-A"
 SCALE 5 : 1

TABLE 1

No. OF POS.	
-010, -011, -013, -020, -025, -023 -030	0.10 [.004]
-040, -049, -050, -060	0.12 [.005]
-070, -075, *-100	0.12 [.005]

(* = NOT TOOLED)

TABLE 2 (REF)
 STACK HEIGHT

ERF8 LEAD STYLE	ERM8 LEAD STYLE		
	-02.0	-05.0	** -09.0
-05.0	7.0MM	10.0MM	14.0MM
** -07.0	9.0MM	12.0MM	16.0MM

(** = NOT RELEASED FOR PRODUCTION)

TABLE 3

OPTION	STYLE	ERF8-XXX-XX.X-DV-XX	C-211-XX.X-X	WT-30-01-F
NONE	-05.0	ERF8-XXX-05.0-DV-01	C-211-05.0-X	WT-30-01-F
	** -07.0	ERF8-XXX-07.0-DV-01	C-211-07.0-X	WT-30-01-F
** -L	-05.0	ERF8-XXX-05.0-DV-L	C-211-05.0-X	WT-30-01-F

(** = NOT RELEASED FOR PRODUCTION)

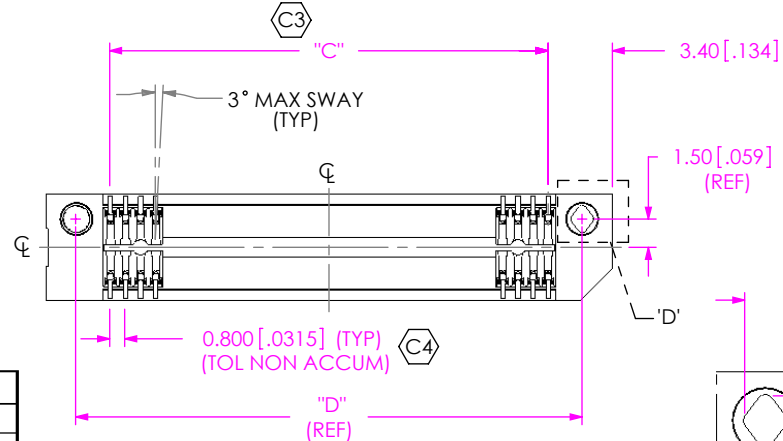
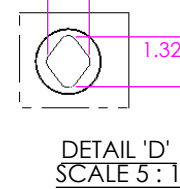


FIG.1
 (ERF8-030-05.0-X-DV-XX SHOWN)
 (CENTER FEATURES REMOVED FOR CLARITY)



NOTES:

1. (C) REPRESENTS A CRITICAL DIMENSION.
2. BURR ALLOWANCE: 0.038 [.0015] MAX.
3. MINIMUM PUSHOUT FORCE: 2.22 N [.5 LB.]
4. PARTS TO BE PACKAGED IN TRAYS, UNLESS -TR OPTION IS SPECIFIED.

UNLESS OTHERWISE SPECIFIED, DIMENSIONS ARE IN MILLIMETERS [INCHES]. TOLERANCES ARE:
 DECIMALS ANGLES
 X.X: ±0.3 [.01]
 X.XX: ±0.13 [.005]
 X.XXX: ±0.050 [.0020]

PROPRIETARY NOTE
 THIS DOCUMENT CONTAINS INFORMATION CONFIDENTIAL AND PROPRIETARY TO SAMTEC, INC. AND SHALL NOT BE REPRODUCED OR TRANSFERRED TO OTHER DOCUMENTS OR DISCLOSED TO OTHERS OR USED FOR ANY PURPOSE OTHER THAN THAT WHICH IT WAS OBTAINED WITHOUT THE EXPRESSED WRITTEN CONSENT OF SAMTEC, INC.

MATERIAL: DO NOT SCALE DRAWING
 INSULATOR: LCP, COLOR: BLACK
 CONTACT & LATCHES: BeCu

SHEET SCALE: 2:1



520 PARK EAST BLVD, NEW ALBANY, IN 47150
 PHONE: 812-944-6733 FAX: 812-948-5047
 e-Mail: info@SAMTEC.com code: 55322

DESCRIPTION:
 .8MM EDGE RATE SOCKET ASSEMBLY

DWG. NO.
ERF8-XXX-XX.X-X-DV-XX

BY: KNOWLDEN 9/26/2005 SHEET 1 OF 2

REVISION B

POSITION	"A"	"B"	"C"	"D"	"H"
-010	14.00 [.551]	12.32 [.485]	7.200 [.2835]	10.80 [.425]	4.00 [.157]
-011	14.80 [.583]	13.12 [.517]	8.000 [.3150]	11.60 [.457]	4.40 [.173]
-013	16.40 [.646]	14.72 [.580]	9.600 [.3780]	13.20 [.520]	5.20 [.205]
-020	22.00 [.866]	20.32 [.800]	15.200 [.5984]	18.80 [.740]	8.00 [.315]
-023	24.40 [.961]	22.72 [.894]	17.600 [.6929]	21.20 [.835]	10.40 [.409]
-025	26.00 [1.024]	24.32 [.957]	19.200 [.7559]	22.80 [.898]	10.00 [.394]
-030	30.00 [1.181]	28.32 [1.115]	23.200 [.9134]	26.80 [1.055]	12.00 [.472]
-040	38.00 [1.496]	36.32 [1.423]	31.200 [1.2283]	34.80 [1.370]	16.00 [.630]
-049	45.20 [1.780]	43.52 [1.713]	38.400 [1.5118]	42.00 [1.654]	19.60 [.772]
-050	46.00 [1.811]	44.32 [1.745]	39.20 [1.543]	42.80 [1.685]	20.00 [.787]
-060	54.00 [2.126]	52.32 [2.060]	47.20 [1.858]	50.80 [2.000]	24.00 [.945]
-070	62.00 [2.441]	60.32 [2.375]	55.20 [2.173]	58.80 [2.315]	28.00 [1.102]
-075	66.00 [2.598]	64.32 [2.532]	59.20 [2.331]	62.80 [2.472]	30.00 [1.181]
*-100	86.00 [3.386]	84.32 [3.320]	79.20 [3.118]	82.80 [3.260]	40.00 [1.575]

(* = NOT TOOLED)

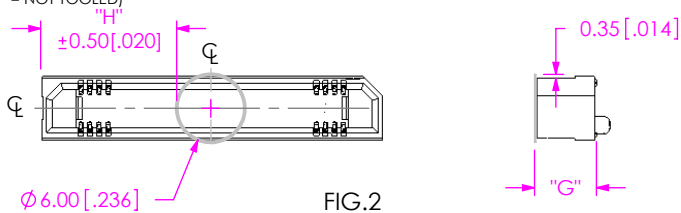
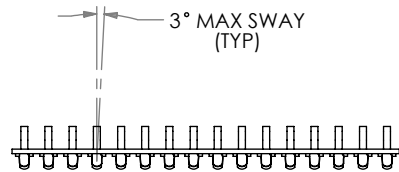


FIG. 2
-K OPTION
(USE K-500-300)
(ERF8-030-XX.X-X-DV-K SHOWN)

HEIGHT	"E"	"F"	"G"
-05.0	5.10 [.201]	5.335 [.2100]	5.52 [.217]
** -07.0	7.00 [.275]	7.200 [.2835]	7.37 [.290]

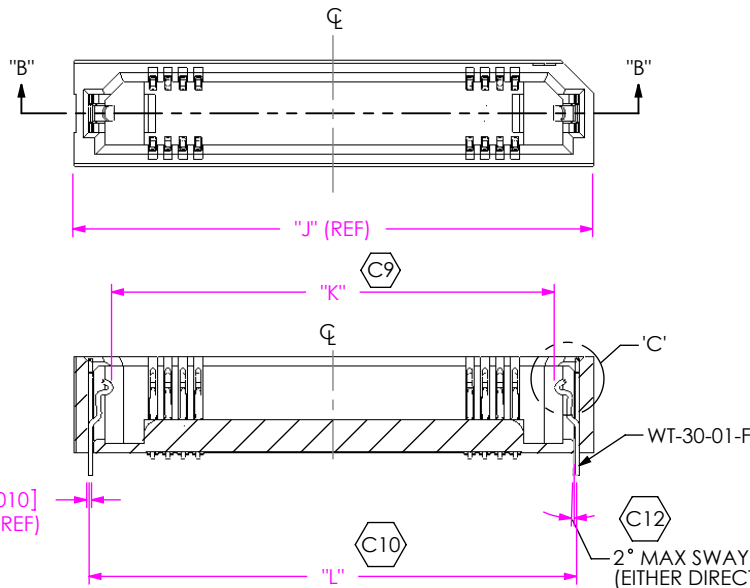
(** = NOT RELEASED FOR PRODUCTION)



C-211-XX.X-X IN-PROCESS VIEW

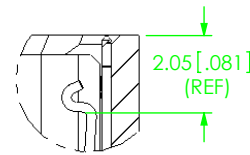
POSITION	"J"	"K"	"L"	"M"
-010	15.50 [.610]	11.14 [.439]	13.8 [.543]	4.75 [.187]
-011	16.30 [.642]	11.94 [.470]	14.6 [.575]	5.15 [.203]
-013	17.90 [.705]	13.54 [.533]	16.2 [.638]	5.95 [.234]
-020	23.50 [.925]	19.14 [.754]	21.8 [.858]	8.75 [.344]
-023	25.90 [1.020]	21.54 [.848]	24.2 [.953]	11.15 [.439]
-025	27.50 [1.083]	23.14 [.911]	25.8 [1.016]	10.75 [.423]
-030	31.50 [1.240]	27.14 [1.069]	29.8 [1.173]	12.75 [.502]
-040	39.50 [1.555]	35.14 [1.383]	37.8 [1.488]	16.75 [.659]
-049	46.70 [1.839]	42.34 [1.667]	45.0 [1.772]	20.35 [.801]
-050	47.50 [1.870]	43.14 [1.698]	45.8 [1.803]	20.75 [.817]
-060	55.50 [2.185]	51.14 [2.013]	53.8 [2.118]	24.75 [.974]
-070	63.50 [2.500]	59.14 [2.328]	61.8 [2.433]	28.75 [1.132]
-075	67.50 [2.657]	63.14 [2.486]	65.8 [2.591]	30.75 [1.211]
*-100	87.50 [3.445]	83.14 [3.273]	85.8 [3.378]	40.75 [1.604]

(* = NOT TOOLED)



SECTION "B"-"B"
SCALE 2.5 : 1

FIG. 3
(ERF8-025-05.0-X-DV-L SHOWN)
(SAME AS FIG. 1, EXCEPT AS SHOWN)
(AVAILABLE ON -05.0 LEAD STYLE ONLY)
(CENTER FEATURES REMOVED FOR CLARITY)
** NOT RELEASED FOR PRODUCTION



DETAIL 'C'
SCALE 5 : 1

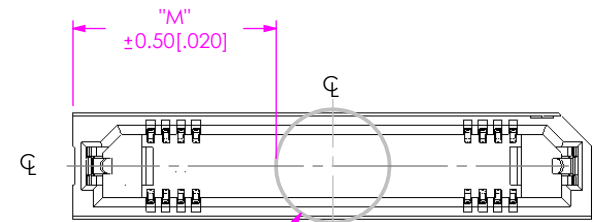
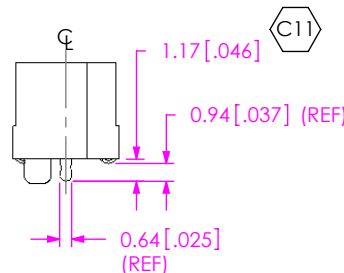


FIG. 4
(ERF8-025-05.0-X-DV-K-L SHOWN)
(SAME AS FIG. 2, EXCEPT AS SHOWN)
(CENTER FEATURES REMOVED FOR CLARITY)

PROPRIETARY NOTE

THIS DOCUMENT CONTAINS INFORMATION CONFIDENTIAL AND PROPRIETARY TO SAMTEC, INC. AND SHALL NOT BE REPRODUCED OR TRANSFERRED TO OTHER DOCUMENTS OR DISCLOSED TO OTHERS OR USED FOR ANY PURPOSE OTHER THAN THAT WHICH IT WAS OBTAINED WITHOUT THE EXPRESSED WRITTEN CONSENT OF SAMTEC, INC.

DO NOT SCALE DRAWING

SHEET SCALE: 2:1



520 PARK EAST BLVD, NEW ALBANY, IN 47150
PHONE: 812-944-6733 FAX: 812-948-5047
e-Mail: info@SAMTEC.com code: 55322

DESCRIPTION:
.8MM EDGE RATE SOCKET ASSEMBLY

DWG. NO.
ERF8-XXX-XX.X-X-DV-XX

BY:KNOWLDEN 9/26/2005 SHEET 2 OF 2