

SPECIFICATIONS

MCA Connector

Mechanical

Contact Normal Force: 75g min.
Durability: 100 Cycles
Contact Retention Force: 0.45kg min.

EH Series

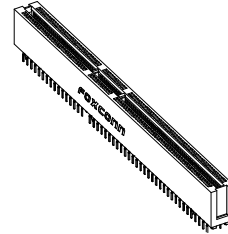
Vertical, T/H Type, 64 Bit 5V
1.27mm [.050"] Pitch
184 Pos.

Electrical

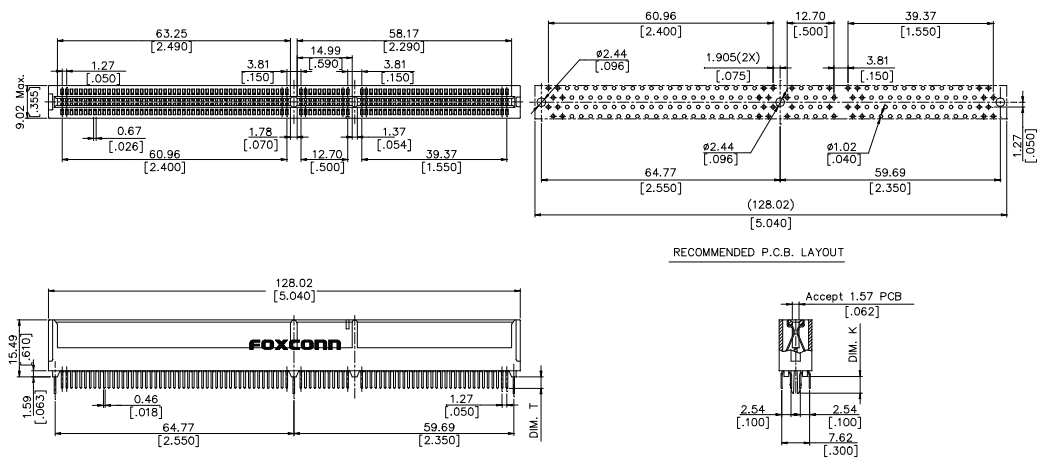
Current Rating: 1.0A, 30 Rise above Ambient
Contact Resistance: 30mW max. initial, 40mW max. after Test
Dielectric Withstand Voltage: 500V min. at Sea Level
Pin to Pin Insulation Resistance: 1000MW min.

Physical

Housing: Thermoplastic, UL 94V-0 rated in White Color
Contact: Copper alloy
Plating: See "ORDERING INFORMATION"
Storage Temperature Range: -55 to +105



DRAWING



ORDERING INFORMATION

PRODUCT NO.: **E H 0 9 2 * * - * - ***

Series prefix _____
 Cardedge Conn. _____
 Tail Type _____
 0= Straight _____
 No. of Pos. _____
 92= 184 Pos. _____
 Tail Length _____
 0= 3.18 [.125]
 1= 2.54 [.100]
 4= 3.56 [.140]
 Gold Plating _____
 1= Gold Flash
 6= 10u" Gold
 7= 15u" Gold

V= White Housing
 Without Date Code
 W= White Housing
 With Date Code
 D= Black Housing

4= Housing Material PCT
 K= Housing Material NYLON66
 N= Housing Material PPS

Contact Area Plating
 G= Gold+Ni
 R= Ni+20u" Pd/Ni+Gold
 P= Ni+40u" Pd/Ni+Gold

EH0924*-*-*	3.56 [.140]	4.72 [.186]
EH0921*-*-*	2.54 [.100]	4.52 [.178]
EH0920*-*-*	3.18 [.125]	4.52 [.178]
P/N	DIM. T	DIM. K

All specification & dimensions are subject to change, please call your nearest Foxconn sales representative for update information.