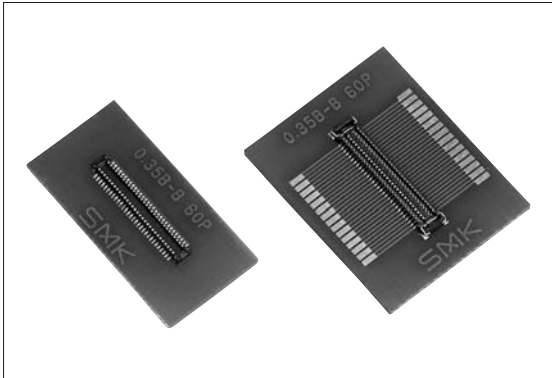


PB-35 Series 0.35mm Pitch, 0.7mm Stacking Height



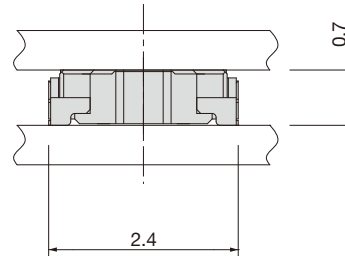
■ Features

1. Small and low profile of 0.7mm mating height and 2.4mm width.
2. Added mating strength due to locking structure of hold down and contact, and presence of positive clicking feeling when locking.
3. High mated strength due to the metal locking structure.

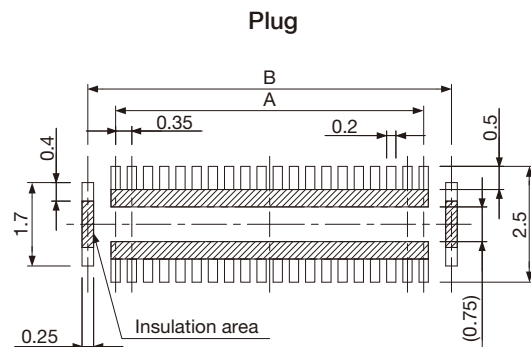
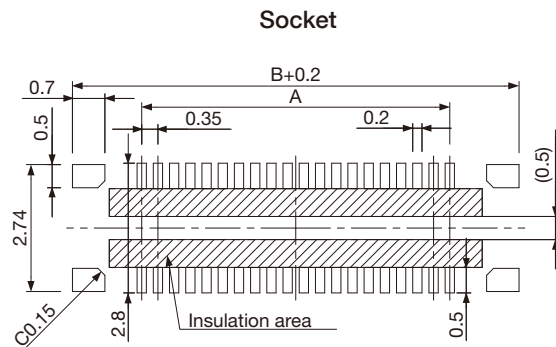
■ Specification

1. Rating : 0.2A, 50V AC/DC
2. Contact Resistance : 30mΩ max., initially
3. Insulation Resistance : 100MΩ min. at 100V DC
4. Withstanding Voltage : 100V AC (for one minute)
5. Operating Temperature Range : -40°C to +85°C
6. Packing : 5,000pcs/reel

■ Connection Diagram



■ P. C. Board Dimension



Board to Board Connectors

PB-35 Series

● Socket CPB 33□□-0□50F

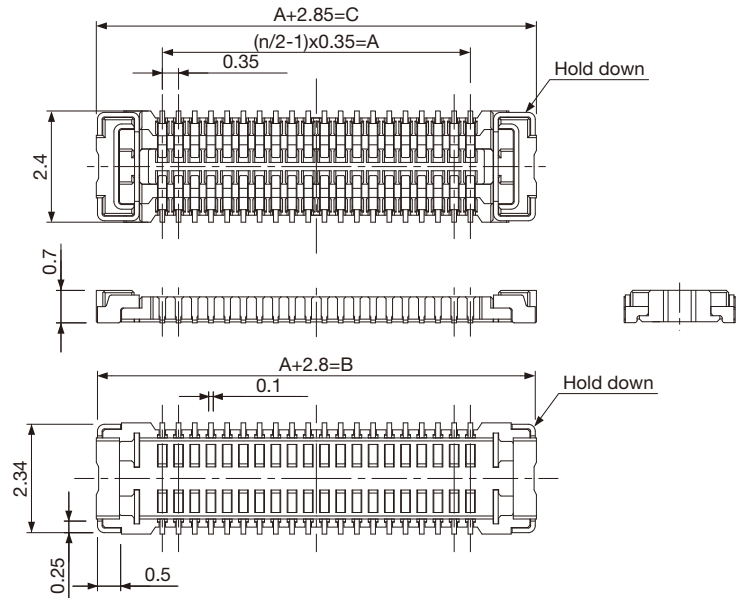
1 : With Vacuum Tape
 2 : Without Vacuum Tape

No. of Pins

□□ No. of Pins	A	B	C
60	10.15	12.95	13.00

■ Material and Plating

- Housing : Thermoplastic Resin, Black
- Contact : Cu Alloy, Au Plating
- Hold Down : Steel Use Stainless (SUS), Sn Ag Cu Plating



● Plug CPB 34□□-0150F

No. of Pins

□□ No. of Pins	A	B	C
60	10.15	11.25	11.95

■ Material and Plating

- Housing : Thermoplastic Resin, Black
- Contact : Cu Alloy, Au Plating
- Hold Down : Steel Use Stainless (SUS), Au Plating

