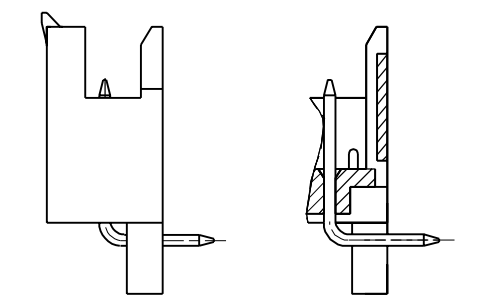
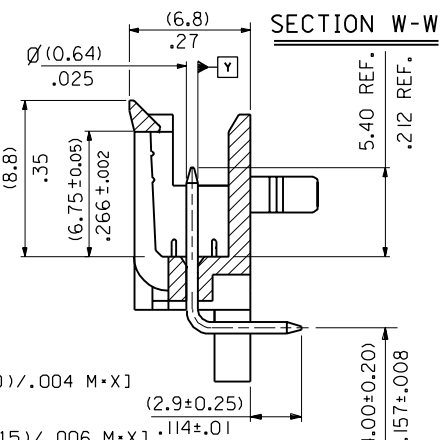
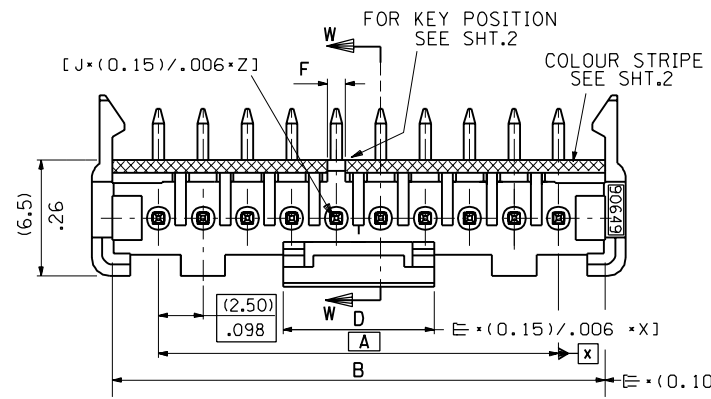
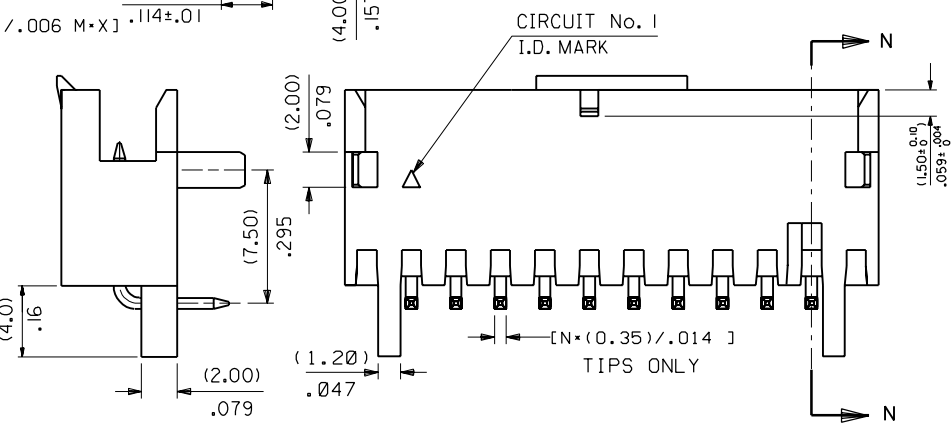
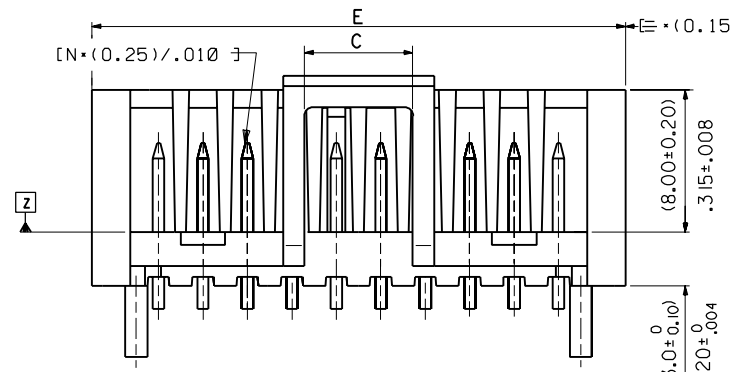


PART NO.  
SEE CHART  
DWG. REF.  
SDA-90649E

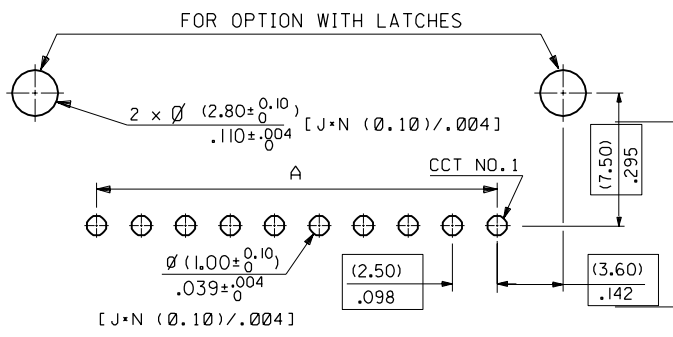


SKIP FEATURE AND KEYING IN SAME CIRCUIT. 2,3 & 4 CKT. ONLY.



NOTES :

- MATERIAL; HEADER: POLYESTER, UL 94V-0, G.E VALOX 310-SE0. PINS: BRASS, PLATING: (3um)/.118uin MIN. TIN LEAD 60/40 TO 95/5 OVER (2um)/.078uin MIN. COPPER OR NICKEL.
- FOR ALL UNSTATED DIMENSIONS, COLOUR I.D AND KEYING POSITIONS SEE SHEET 2.



FOR PREVIOUS DRAWING ISSUES SEE MRI.

ADDED VOID OPTION  
E2001-0344  
CPH 00.10.02

DIMENSIONS SHOWN ( METRIC ) INCH	
UNLESS OTHERWISE SPECIFIED TOLERANCES: ANGULAR $\pm \frac{1}{2}^\circ$	
INCH	( METRIC )
3 PLACE $\pm .006$	
2 PLACE $\pm .008$	$\pm 0.15$
1 PLACE	$\pm 0.25$

DRAFT WHERE APPLICABLE MUST REMAIN WITHIN DIMENSIONS

DESIGN DIMENSION  (MM) (PRIMARY)  IN.

EQUIVALENT DIMENSION  (MM) (SECONDARY)  IN.

DRWG BY  
POB

CHK'D BY

APP'D BY

SCALE  
4 : 1

REVISE ONLY ON CAD SYSTEM		2	F
		1	F
		SH.	REV.
CAD/CAM FILENAME S90649X1 DGN		THIS DRAWING CONTAINS INFORMATION THAT IS PROPRIETARY TO MOLEX INC. & SHOULD NOT BE USED WITHOUT WRITTEN PERMISSION	
TITLE 2.5mm UF Hdr WtB RA LtC			
MOLLEX MOLEX EUROPE		SHEET NO. 10F2	DATE 90/06/14
PART NO. SEE CHART	DWG NO. SDA-90649E	SIZE B	

10 9 8 7 6 5 4 3 2 1

PART NO. SEE CHART  
 DWG. NO. SDA-90649E

CCT SIZE	ENG. NUMBER	■	■ ±(0.25) ±.010	■ ±(0.20) ±.008	■ ±(0.20) ±.008	■ ±(0.25) ±.010	KEY		COLOUR I.D	VOID POS'N CCT NO.
							POSN. CCT. NO.	■ ±(0.10) ±.004		
90649-002	-102	(2.5)	.098	.303	.051	.142	.394	■ (1.50)	NATURAL	
								■ .059	RED	
								1&2 (1.0)/.040	GREEN	
								■ (1.5)/.059	BLUE	
								NONE ■	PURPLE	
-103	(5.0)	.197	.402	.102	.240	.492	■ (1.50)	NATURAL		
							■ .059	RED		
							1&2 (1.0)/.040	GREEN		
							■ (1.5)/.059	BLUE		
							NONE ■	PURPLE		
-104	(7.5)	.295	.500	.201	.338	.591	■ (1.00)	NATURAL		
							■ .040	RED		
							■ .040	GREEN		
							■	BLUE		
							NONE ■	PURPLE		
-105	(10.0)	.394	.598	.201		.689	■ (1.00)	NATURAL		
							■ .040	RED		
							■	GREEN		
							■	BLUE		
							NONE ■	PURPLE		
-106	(12.5)	.492	.697	.201		.787	■ (1.00)	NATURAL		
							■ .040	RED		
							■	GREEN		
							■	BLUE		
							NONE ■	PURPLE		
-107	(15.0)	.591	.795	.201		.886	■ (1.00)	NATURAL		
							■ .059	RED		
							■	GREEN		
							■	BLUE		
							NONE ■	PURPLE		
-108	(17.5)	.689	.894	.201		.984	■ (1.00)	NATURAL		
							■ .040	RED		
							■	GREEN		
							■	BLUE		
							NONE ■	PURPLE		
-109	(20.0)	.787	.992	.201		1.083	■ (1.00)	NATURAL		
							■ .040	RED		
							■	GREEN		
							■	BLUE		
							NONE ■	PURPLE		
-110	(22.5)	.886	1.09	.201		1.181	■ (1.00)	NATURAL	2&8	
							■ .040	RED		
							■	GREEN		
							■	BLUE		
							NONE ■	PURPLE		
-111	(25.0)	.984	1.189	.201	.338	1.280	■ (1.00)	NATURAL		
							■ .040	RED		
							■	GREEN		
							■	BLUE		
							NONE ■	PURPLE		
90649-411							NONE ■	PURPLE		

CCT SIZE	ENG. NUMBER	■	■ ±(0.25) ±.010	■ ±(0.20) ±.008	■ ±(0.20) ±.008	■ ±(0.25) ±.010	KEY		COLOUR I.D
							POSN. CCT. NO.	■ ±(0.10) ±.004	
12	90649-012	(27.5)	1.083	1.287	.201	.338	1.380	■ (1.00)	NATURAL
								■ .040	RED
								■	GREEN
								■	PURPLE
								NONE ■	PURPLE
13	-013	(30.0)	1.181	1.386			1.476	■ (1.00)	NATURAL
								■ .040	RED
								■	GREEN
								■	PURPLE
								NONE ■	PURPLE
14	-014	(32.5)	1.280	1.484			1.575	■ (1.00)	NATURAL
								■ .040	RED
								NONE ■	PURPLE
15	-015	(35.00)	1.378	1.583			1.673	■ (1.00)	
								■ .040	
								NONE ■	PURPLE
16	-016	(37.5)	1.476	1.681			1.772	■ (1.00)	
								■ .040	
								NONE ■	PURPLE
17	-017	(40.0)	1.575	1.779			1.870	■ (1.00)	
								■ .040	
								NONE ■	PURPLE
18	-018	(42.5)	1.673	1.878			1.969	■ (1.00)	
								■ .040	
								NONE ■	PURPLE
19	-019	(45.0)	1.772	1.976			2.067	■ (1.00)	
								■ .040	
								NONE ■	PURPLE
20	90649-420	(47.5)	1.870	2.075	.201	.338	2.165	■ (1.00)	
								■ .040	
								NONE ■	PURPLE

90649-\*\*\*\*  
 1 WITH SNAP-IN LATCHES  
 3 WITHOUT SNAP-IN LATCHES  
 8 WITH SNAP-IN LATCHES AND VOID OPTIONS

SEE SHEET 1.

REVISIONS

DRWG BY: POB

CHK'D BY:

APP'D BY:

SCALE: --

REVISIONS

3 PLACE ± --

2 PLACE ± -- ± --

1 PLACE ± -- ± --

DRAFT WHERE APPLICABLE MUST REMAIN WITHIN DIMENSIONS

DESIGN DIMENSION  (MM)  IN.

EQUIVALENT DIMENSION  (MM)  IN.

REVISE ONLY ON CAD SYSTEM

CAD/CAM FILENAME: S90649X2 DCN

THIS DRAWING CONTAINS INFORMATION THAT IS PROPRIETARY TO MOLEX INC. & SHOULD NOT BE USED WITHOUT WRITTEN PERMISSION

TITLE: 2.5mm UF Hdr W+B RA Ltc

MOLEX EUROPE

SHEET NO. 20F DATE 13/10/90

PART NO. SEE CHART

DWG NO. SDA-90649E

SIZE B

7132-1283 10 9 8 7 6 5 4 3 2 1

Datasheet  
Wire-to-Board

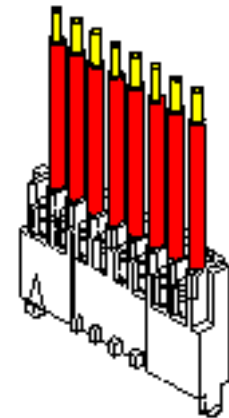
**2.5mm (.098") Vertical IDT Housing - Right Angle User Friendly Straight, Latched Header**

90650:90649

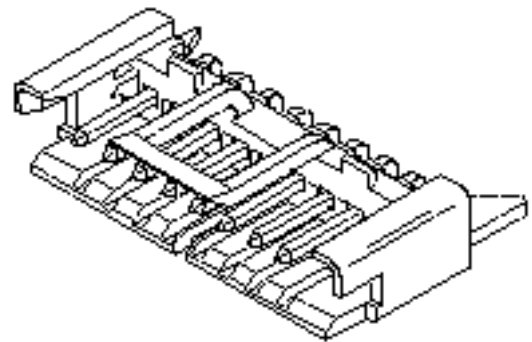
[ [Home](#) > [Products](#) > [Wire-to-Board](#) > Datasheet ]

[Help](#)

<a href="#">Promotable</a>	Yes	<input type="checkbox"/>
<a href="#">Status</a>	Active	
<a href="#">Wire Entry Angle</a>	Right Angle	
<a href="#">Termination Method</a>	Insulation Displacement (IDT)	
<a href="#">Wire Size [AWG]</a>	24	
<a href="#">Circuits / Positions</a>	2, 3, 4, 5, 6, 7, 8, 9, 10, 11, 12, 13, 14, 15, 16, 17, 18, 19, 20	
<a href="#">Pitch / Center Spacing</a>	2.50mm (.098")	
<a href="#">Rows</a>	1	
<a href="#">Lock to Mating Part</a>	Positive	
<a href="#">Polarized to Mating Part</a>	Yes	
<a href="#">PCB Mounting</a>	Through Hole	
<a href="#">Polarized to PCB</a>	Yes	
<a href="#">PCB Retention</a>	Snap-in Peg	
<a href="#">PCB Thickness</a>	1.60mm (.063")	
<a href="#">Staggered Tails</a>	No	
<a href="#">Surface Mount Compatible (SMC)</a>	No	
<a href="#">Shrouded</a>	No	
<a href="#">Breakaway</a>	No	
Pin Header	Yes	
<a href="#">Termination</a>	<b>Insulation Displacement</b>	
<a href="#">Designed In</a>	Millimeters	
<a href="#">Temperature Range</a>	-25°C to +85°C	



Female Housing 90650



Male Header 90649

**Features and Benefits**

- Sizes 2 to 20 circuits

**Housing:**

- Accepts 24-26 AWG (7 strands) and 24 AWG solid, ribbon and discrete (single) cable
- 4 IDT contact points to cable with "0" crimp on insulation
- Keyed and polarized
- Color stripe for visual check

**Header:**

<a href="#">Plating Contact</a>	<b>Tin (Sn)</b>
<a href="#">Durability [mating cycles]</a>	<b>15</b>
<a href="#">Current-max [amps]</a>	<b>3.0A</b>
<a href="#">Voltage-max [volts]</a>	<b>250V</b>
<a href="#">Contact Resistance [ohms]</a>	<b>8 milliohms max.</b>
<a href="#">Withstanding Voltage</a>	<b>1000V AC</b>
<a href="#">Insulation Resistance [ohms]</a>	<b>500 Megohms min.</b>
Contact Retention Force-min. (per circuit)	<b>15.0N (3.37 lb)</b>
<a href="#">Wire Pull-Out Force-min. (per circuit)</a>	<b>20.0N (4.50 lb)</b>
<a href="#">Mating Force-max. (per circuit)</a>	<b>5.0N (1.12 lb)</b>
<a href="#">Unmating Force-min. (per circuit)</a>	<b>3.0N (0.67 lb)</b>
<a href="#">Terminal Contact</a>	<b>Phosphor Bronze</b>
<a href="#">Housing - Material</a>	<b>Polyester, Glass-filled</b>
<a href="#">Housing - Flammability</a>	<b>UL 94V-0</b>
<a href="#">Housing - Stackable End-to-End</a>	<b>No</b>
<a href="#">Housing - Product Specification</a>	<b>PS-99020-0018</b>
<a href="#">Housing - Packaging</a>	<b>Ammo-Pak</b>
<a href="#">Header - Housing Material</a>	<b>Polyester</b>
<a href="#">Header - Flammability</a>	<b>UL 94V-0</b>
<a href="#">Header - Contact</a>	<b>Brass</b>
<a href="#">Header - Stackable Side-to-Side</a>	<b>No</b>

- Right angle in-line on 2.5mm pitch
- Polarized board snap-in pegs
- Polarized with respect to mating part
- Color stripe for visual check
- Locking latch

<a href="#">Header - Stackable End-to-End</a>	<b>No</b>
<a href="#">Header - Product Specification</a>	<b>PS-99020-0018</b>
<a href="#">Header - Packaging</a>	<b>Bag</b>
<a href="#">Product Name</a>	<b>User Friendly</b>
<a href="#">Molex Series</a>	<b>90649, 90650</b>

[E-mail this page to a friend](#)

[ © Copyright 2002 Molex Incorporated ]